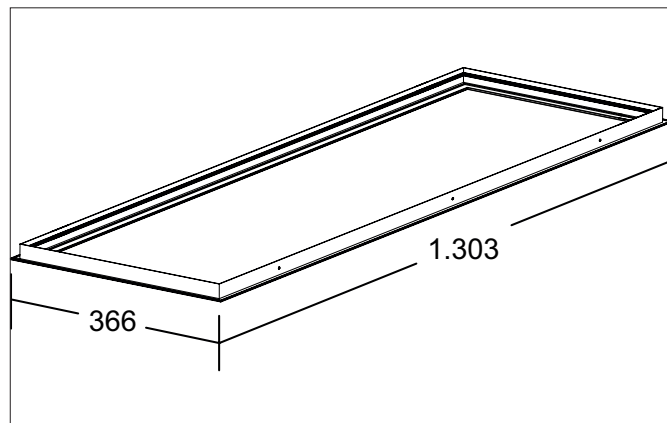
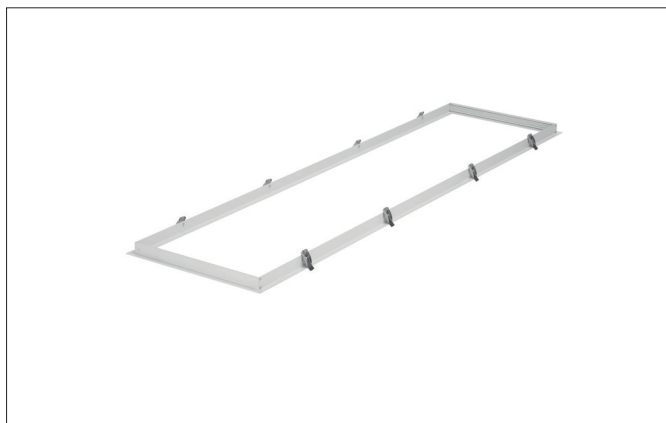


OREN Installation frame 1-piece, 1,303 x 366 x 30 mm, white

Article no. 81032063

Light.
For Generations.

Tender	
Installation frame 1-piece, 1,303 x 366 x 30 mm, white. Material: Aluminium / Steel, .	

Article data	
Article no.	81032063
GTIN	4251433999904
Series name	OREN
Short description	Installation frame 1-piece, 1,303 x 366 x 30 mm, white
Material	Aluminium / Steel
Colour	White
Length	1,303 mm
Width	366 mm
Hight	30 mm
Weight	0.950 kg

Packing data	
Gross weight	0.95 kg
Length of packaging	1,330 mm
Packaging width	330 mm
Packaging hight	390 mm
Disposal at end of life	This product must not be disposed of with household waste. You are obliged, to dispose of such electrical waste separately. By disposing of electrical waste and other old or defective electronics separately, you support recycling or other forms of re-use. In that way you help to take care and to avoid that harmful substances get into the environment.