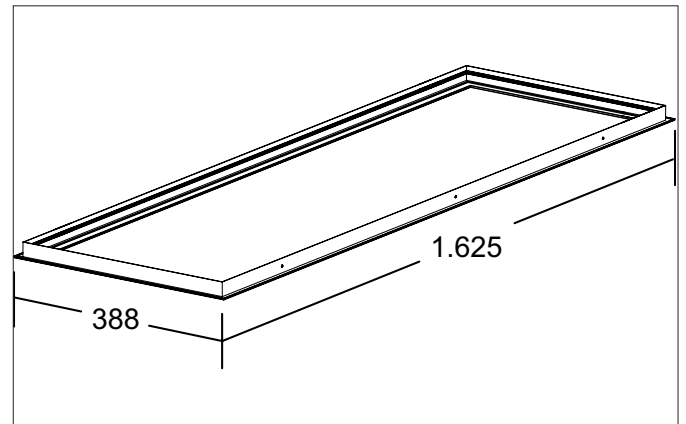
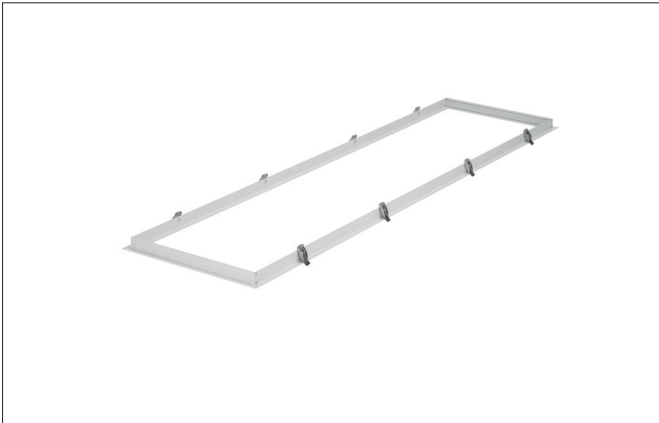


CEBU Installation frame 1-piece, 1,625 x 388 x 30 mm, white
Article no. 81032071

Light.
For Generations.



Tender	
Installation frame 1-piece, 1,625 x 388 x 30 mm, white. Material: Aluminium / Steel, .	

Article data	
Article no.	81032071
GTIN	4251433999973
Series name	CEBU
Short description	Installation frame 1-piece, 1,625 x 388 x 30 mm, white
Material	Aluminium / Steel
Colour	White
Length	1,652 mm
Width	388 mm
Hight	30 mm
Weight	1.200 kg

Packing data	
Gross weight	1.3 kg
Length of packaging	1,630 mm
Packaging width	330 mm
Packaging hight	390 mm
Disposal at end of life	This product must not be disposed of with household waste. You are obliged, to dispose of such electrical waste separately. By disposing of electrical waste and other old or defective electronics separately, you support recycling or other forms of re-use. In that way you help to take care and to avoid that harmful substances get into the environment.