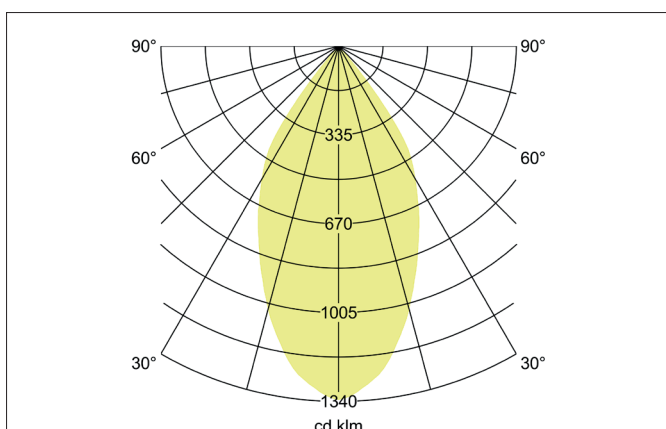
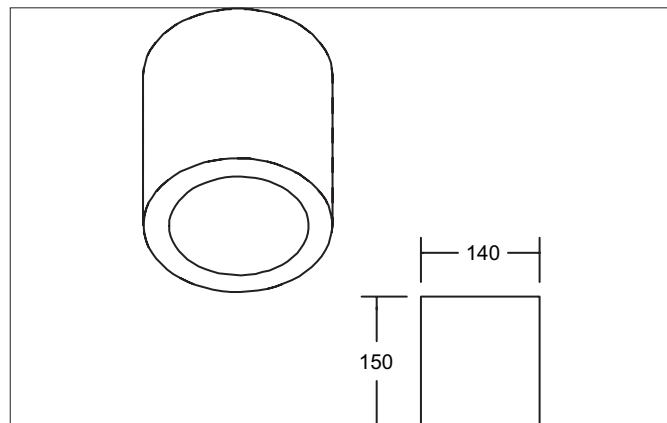


KACIE MICRO LED surface-mounted downlight

Article no. 12594184

Light.
For Generations.**Tender**

LED surface-mounted downlight, Round.Luminaire diameter 140.0 mm, Hight 150.0 mm Weight 1.091 kg,Reflector silver with rotattions-symmetrical, deep, wide distributed light intensity.. Luminous flux 2.404 lm, UGR < 20, Power 1 x 20 W, Light colour neutral white, Correlated color temprature (CCT) 4.000 K, Colour rendering index CRI > 90, Rated life time L70/B10 at 25 °C: 50.000 h, Rated life time L70/B50 at 25 °C: 50.000 h, Housing material: Aluminium / Plastic, Colour: Black structure, Permissible ambient temperature (ta): -20 °C - +25 °C, Protection class (EN 61140): I, Degree of protection (DIN EN 60529): IP20. With electronic driver, on/off switchable.

Product Benefits

- Round surface-mounted downlight made of solid aluminum with generously dimensioned heat management.
- High-quality reflector.
- Simple installation.
- CRI > 90, UGR < 20.
- Available in switchable and DALI dimmable versions.

KACIE MICRO LED surface-mounted downlight

Article no. 12594184

Light.
For Generations.

Article data	
Article no.	12594184
GTIN	4251433999591
Series name	KACIE MICRO
Short description	LED surface-mounted downlight
Material	Aluminium / Plastic
Colour	Black
Type of surface	Structure
Shape	Round
Outer diameter	140 mm
Hight	150 mm
Scope of delivery	incl. converter for connection to 230 V mains voltage
Weight	1.091 kg
Conformance	CE, UKCA

Lighting technology	
Colour temperature	4.000 K
Light colour	White
Light output	Direct
Luminous flux	2,404 lm
System efficiency	120 lm/W
Colour rendering	CRI > 90
Reflector	Faceted
Reflector colour	silver
Beam angle	70°
Glare evaluation	UGR < 20
Light sharing	Symmetric
Adjustable color temperature	No

Operating technology of the luminaire	
System output	20 W
Voltage type	AC
AC nominal voltage max	230 V
Frequency max	50 Hz
Lamp	LED
Protection class	I
Degree of protection	IP20
Dimmable	No
Control	on/off
Bulb change possible	The light source of this luminaire may only be replaced by the manufacturer or a service technician commissioned by him or a similarly qualified person.
Rated life time L70/B50 at 25 °C	50,000 h

Mounting technology	
Mounting method	Surface mounting
Place of installation	Ceiling-mounted
Adjustability	Not adjustable
Material cover	Without cover

KACIE MICRO LED surface-mounted downlight

Article no. 12594184

Light.
For Generations.

Packing data	
Gross weight	1.245 kg
Length of packaging	175 mm
Packaging width	170 mm
Packaging height	145 mm
Disposal at end of life	<p>This product must not be disposed of with household waste. You are obliged, to dispose of such electrical waste separately.</p> <p>By disposing of electrical waste and other old or defective electronics separately, you support recycling or other forms of re-use. In that way you help to take care and to avoid that harmful substances get into the environment.</p>