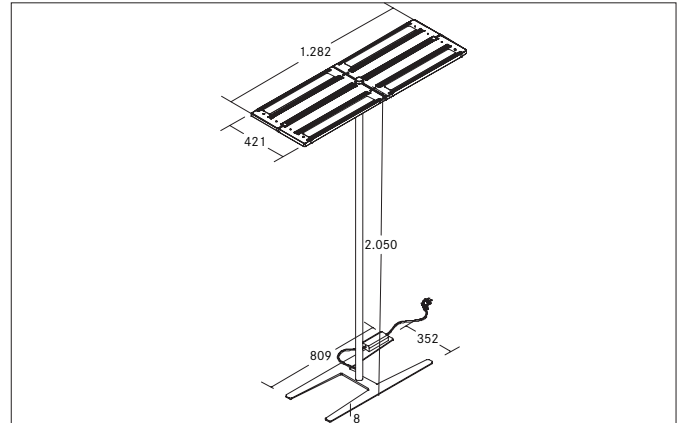


MELODY LED floor luminaire, NANO prismatic cover, with indirect light component

Article no. 77414694ST


Tender

Rectangular LED free-standing luminaire, NANO prismatic cover, with indirect component, height 2,050 mm, luminaire length 1,282 mm, luminaire width 421 mm, height 2,050 mm, weight 25.100 kg, double asymmetrical cover plastic microprismatic, rated luminous flux 30.400 lm, UGR < 19, rated wattage 240 W, neutral white light color, most similar color temperature (CCT) 4,000 K, general color rendering index CRI > 90, housing material: aluminum / steel / plastic, color: silver, permissible ambient temperature (ta): -20 °C - +25 °C, protection class (EN 61140): I, degree of protection (DIN EN 60529): IP20. With electronic control gear, presence detector, daylight sensor, dimmable push-button.

| Article data | |
|-------------------|--|
| Article no. | 77414694ST |
| GTIN | 4251433955177 |
| Series name | MELODY |
| Short description | LED floor luminaire, NANO prismatic cover, with indirect light component |
| Material | Aluminium / Steel / Plastic |
| Colour | Silver |
| Type of surface | Structure |
| Shape | Rectangular |
| Length | 1,282 mm |
| Width | 421 mm |
| Hight | 2,050 mm |
| Scope of delivery | incl. supply line 2.500 mm with protective contact angle plug |
| Weight | 25.100 kg |
| Conformance | CE |

MELODY LED floor luminaire, NANO prismatic cover, with indirect light component

Article no. 77414694ST

| Lighting technology | |
|--|-------------------|
| Colour temperature | 4.000 K |
| Light colour | White |
| Light output | Direct/Indirect |
| Luminous flux | 30,400 lm |
| Luminous flux component (direct / indirect) | 16/84 % |
| System efficiency | 127 lm/W |
| McAdam-Step | McAdam-Step 3 |
| Colour rendering | CRI > 90 |
| Glare evaluation | UGR < 19 |
| Luminance < 3,000 cd/m ² above 65° beam angle | Yes |
| Light sharing | Double asymmetric |
| Adjustable color temperature | No |

| Operating technology of the luminaire | |
|---------------------------------------|--|
| System output | 240 W |
| Voltage type | AC |
| AC nominal voltage max | 230 V |
| Frequency max | 50 Hz |
| Lamp | LED |
| Lamp holder | Without fitting |
| Protection class | I |
| Degree of protection | IP20 |
| Control | Presence detector, Daylight detector, Button |
| Bulb change possible | The light source of this luminaire may only be replaced by the manufacturer or a service technician commissioned by him or a similarly qualified person. |
| Rated life time L90/B10 at 25 °C | 50.000 h |
| Energy efficiency class | nicht erforderlich |

| Mounting technology | |
|-----------------------|-------------------------|
| Mounting method | Surface mounting |
| Place of installation | Floor-mounted |
| Adjustability | Not adjustable |
| Material cover | Plastic, microprismatic |

| Packing data | |
|-------------------------|---|
| Gross weight | 28.902 kg |
| Length of packaging | 2,085 mm |
| Packaging width | 520 mm |
| Packaging height | 95 mm |
| Disposal at end of life | This product must not be disposed of with household waste. You are obliged, to dispose of such electrical waste separately. By disposing of electrical waste and other old or defective electronics separately, you support recycling or other forms of re-use. In that way you help to take care and to avoid that harmful substances get into the environment. |

| Optional accessories | |
|---|----------|
| Article no.: | 18209000 |
| MELODY sensor user remote control | |
| https://www.brumberg.com/fileadmin/products/Datenblatt_18209000_2021_DE.pdf | |