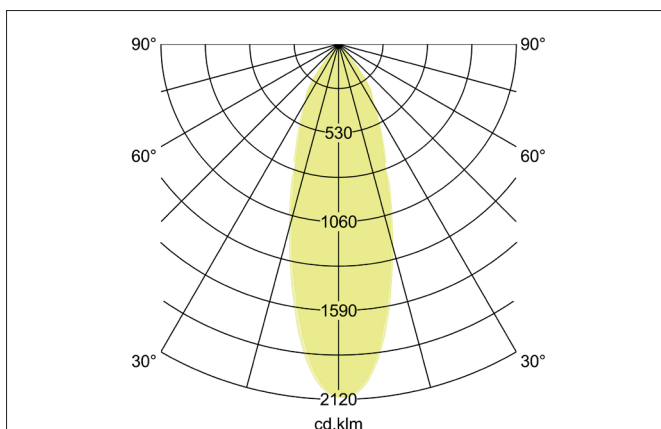
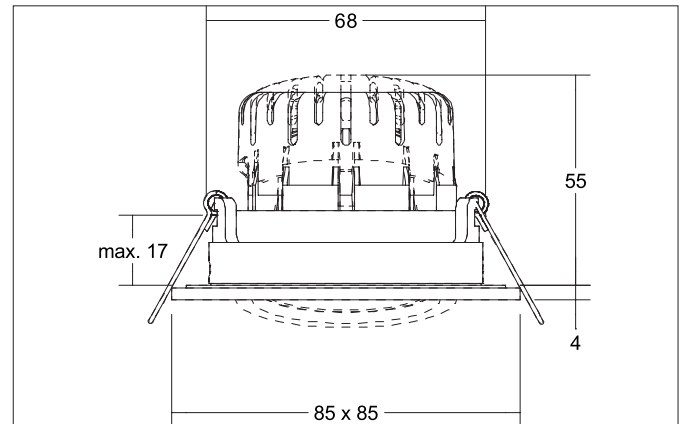


BB25 LED-Einbaustrahlerset, IP65, Phasenabschnitt dimmbar, mit Anschlussbox

Article no. 39488153AB

Light.
For Generations.**Tender**

LED-Einbaustrahlerset, IP65, Phasenabschnitt dimmbar, mit Anschlussbox, Square. Toolless ceiling installation by installation springs. Ceiling cut-out Ø 68 mm, Installation depth 55 mm, Length 85 mm, Width 85 mm, Weight 0,238 kg, Reflector silver with rotationssymmetrical, deep, wide distributed light intensity. Luminous flux 620 lm, Power 1 x 7 W, Light colour warm white, Correlated color temperature (CCT) 3.000 K, Colour rendering index CRI > 80, Rated life time L70/B50 at 25 °C: 30.000 h, Rated life time L80/B20 at 25 °C: 50.000 h, Housing material: Aluminium / Plastic, Colour: Nickel, Permissible ambient temperature (ta): -20 °C - +25 °C, Protection class (EN 61140): II, Degree of protection (DIN EN 60529): IP65, .With electronic driver, Trailing-edge phase dimmable.

Article data	
Article no.	39488153AB
GTIN	4251433997436
Series name	BB25
Short description	LED-Einbaustrahlerset, IP65, Phasenabschnitt dimmbar, mit Anschlussbox
Material	Aluminium / Plastic
Colour	Nickel
Type of surface	Matt
Shape	Square
Built-in diameter	68 mm
Installation depth	55 mm
Length	85 mm
Width	85 mm
Height	4 mm
Scope of delivery	inkl. Anschlussbox, 3-polig zur Durchgangsverdrahtung
Weight	0.238 kg

BB25 LED-Einbaustrahlerset, IP65, Phasenabschnitt dimmbar, mit**Anschlussbox**

Article no. 39488153AB

Light.
For Generations.

Lighting technology	
Colour temperature	3.000 K
Light colour	White
Light output	Direct
Luminous flux	620 lm
System efficiency	89 lm/W
Colour rendering	CRI > 80
Reflector	High-gloss
Reflektorfarbe	silver
Beam angle	36°
Light sharing	Symmetric

Operating technology of the luminaire	

Operating technology of driver	

Mounting technology	
Mounting method	Recessed mounting
Place of installation	Ceiling-mounted
Adjustability	Pivoted
Swivel angle	15°
Max. ceiling thickness	17 mm
Further references	No cover with thermal insulation material
Suitable for through-wiring	Yes

Packing data	
Gross weight	0.282 kg
Length of packaging	100 mm
Packaging width	100 mm
Packaging height	100 mm
Disposal at end of life	This product must not be disposed of with household waste. You are obliged, to dispose of such electrical waste separately. By disposing of electrical waste and other old or defective electronics separately, you support recycling or other forms of re-use. In that way you help to take care and to avoid that harmful substances get into the environment.