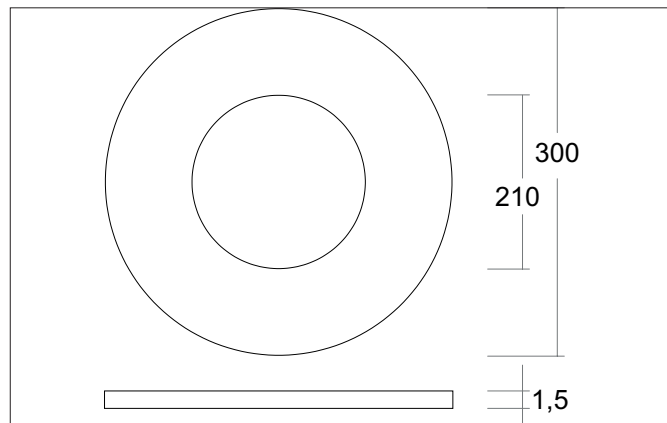


KACIE MAXI Reducing ring for recessed downlight

Article no. 81027170

Light.
For Generations.**Tender**

Reduziererring zu Einbaudownlight, white structure, Round.Reduziererring für Einbaudownlights, Durchmesser 300 mm, Innendurchmesser 210 mm, Stärke 1,5 mm, mit drei Befestigungsfedern für den Ring an sich im Teilkreis von 250 mm Material: Steel, .

Article data	
Article no.	81027170
GTIN	4251433957812
Series name	KACIE MAXI
Short description	Reducing ring for recessed downlight
Material	Steel
Colour	White
Type of surface	Structure
Shape	Round
Outer diameter	300 mm
Hight	1.5 mm
Weight	0.484 kg

Packing data	
Gross weight	0.503 kg
Length of packaging	310 mm
Packaging width	310 mm
Packaging hight	45 mm
Disposal at end of life	This product must not be disposed of with household waste. You are obliged, to dispose of such electrical waste separately. By disposing of electrical waste and other old or defective electronics separately, you support recycling or other forms of re-use. In that way you help to take care and to avoid that harmful substances get into the environment.

KACIE MAXI Reducing ring for recessed downlight
Article no. 81027170

Light.
For Generations.