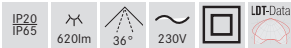
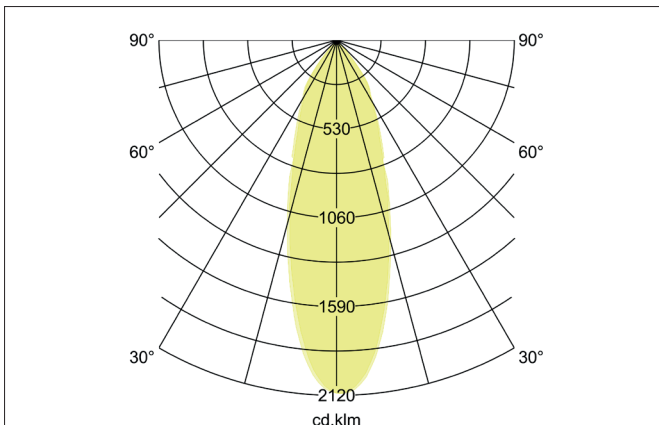
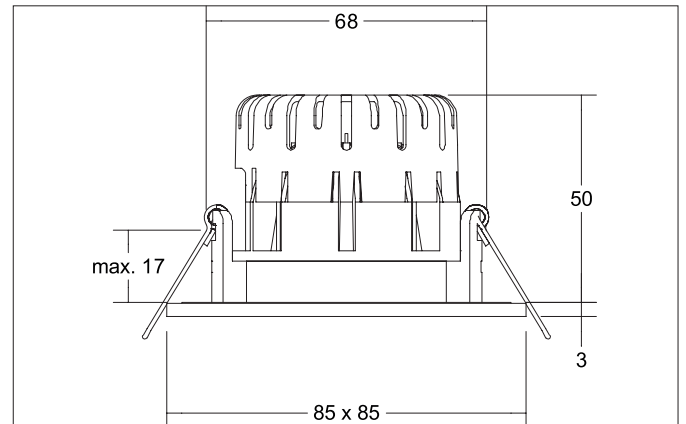


**BB21 LED recessed downlight set, IP65, trailing-edge phase dimmer
(round converter), with connection box**
Article no. 40481173AB

Light.
For Generations.



Tender

LED recessed downlight set, IP65, trailing-edge phase dimmer (round converter), with connection box, Square. Toolless ceiling installation by installation springs. Ceiling cut-out Ø 68 mm, Installation depth 50 mm, Outer diameter 82 mm, Weight 0,213 kg, Reflector silver with rotationssymmetrical, deep, wide distributed light intensity. optimal light distribution due to a plastic, transparent cover. Luminous flux 620 lm, Power 1 x 7 W, Light colour warm white, Correlated color temperature (CCT) 3.000 K, Colour rendering index CRI > 80, Rated life time L70/B50 at 25 °C: 30.000 h, Rated life time L80/B20 at 25 °C: 50.000 h, Housing material: Aluminium / Plastic, Colour: White structure, Permissible ambient temperature (ta): -20 °C - +25 °C, Protection class (EN 61140): II, Degree of protection (DIN EN 60529): IP65, .With electronic driver, Trailing-edge phase dimmable.

BB21 LED recessed downlight set, IP65, trailing-edge phase dimmer (round converter), with connection box

Article no. 40481173AB

Light.
For Generations.

| Article data | |
|--------------------|---|
| Article no. | 40481173AB |
| GTIN | 4251433997528 |
| Series name | BB21 |
| Short description | LED recessed downlight set, IP65, trailing-edge phase dimmer (round converter), with connection box |
| Material | Aluminium / Plastic |
| Colour | White |
| Type of surface | Structure |
| Shape | Square |
| Outer diameter | 82 mm |
| Built-in diameter | 68 mm |
| Installation depth | 50 mm |
| Length | 85 mm |
| Width | 85 mm |
| Hight | 3 mm |
| Scope of delivery | incl. connection box, 3-pole |
| Weight | 0.213 kg |

| Lighting technology | |
|---------------------|------------|
| Colour temperature | 3.000 K |
| Light colour | White |
| Light output | Direct |
| Luminous flux | 620 lm |
| System efficiency | 89 lm/W |
| Colour rendering | CRI > 80 |
| Reflector | High-gloss |
| Reflektorfarbe | silver |
| Beam angle | 36° |
| Light sharing | Symmetric |

Operating technology of the luminaire

| Operating technology of driver | |
|--------------------------------|-------|
| Power min | 4.9 W |
| Power | 7 W |

| Mounting technology | |
|-----------------------------|---|
| Mounting method | Recessed mounting |
| Place of installation | Ceiling-mounted |
| Adjustability | Not adjustable |
| Max. ceiling thickness | 17 mm |
| Further references | No cover with thermal insulation material |
| Material cover | Plastic, transparent |
| Suitable for through-wiring | Yes |

| Packing data | |
|-------------------------|---|
| Gross weight | 0.255 kg |
| Length of packaging | 115 mm |
| Packaging width | 95 mm |
| Packaging hight | 80 mm |
| Disposal at end of life | This product must not be disposed of with household waste. You are obliged, to dispose of such electrical waste separately. By disposing of electrical waste and other old or defective electronics separately, you support recycling or other forms of re-use. In that way you help to take care and to avoid that harmful substances get into the environment. |