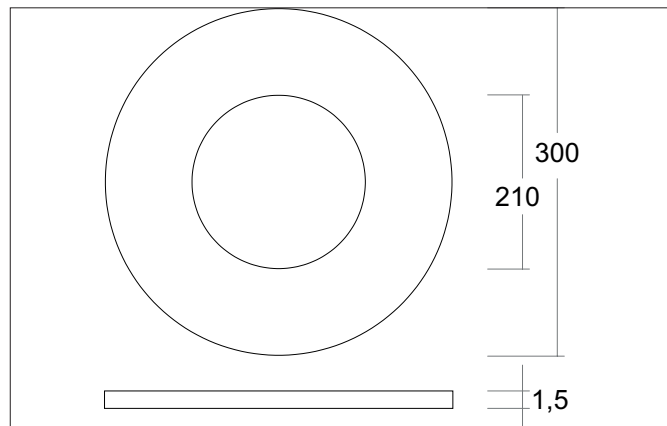


**KACIE MAXI Reduzierring zu Einbaudownlight**

Article no. 81027180

Light.  
For Generations.



Tender	
Reduzierring zu Einbaudownlight, black structure, Round.Reduzierring für Einbaudownlights, Durchmesser 300 mm, Innendurchmesser 210 mm,Stärke 1,5 mm, mit drei Befestigungsfedern für den Ring an sich im Teilkreis von 250 mm<P/></TEXT> Material: Steel, .	

Article data	
Article no.	81027180
GTIN	4251433957829
Series name	KACIE MAXI
Short description	Reduzierring zu Einbaudownlight
Material	Steel
Colour	Black
Type of surface	Structure
Shape	Round
Outer diameter	300 mm
Hight	1.5 mm
Weight	N.N.

Packing data	
Gross weight	N.N.
Length of packaging	N.N.
Packaging width	N.N.
Packaging hight	N.N.
Disposal at end of life	This product must not be disposed of with household waste. You are obliged, to dispose of such electrical waste separately. By disposing of electrical waste and other old or defective electronics separately, you support recycling or other forms of re-use. In that way you help to take care and to avoid that harmful substances get into the environment.

## **KACIE MAXI Reduzierring zu Einbaudownlight**

Article no. 81027180

Light.  
For Generations.