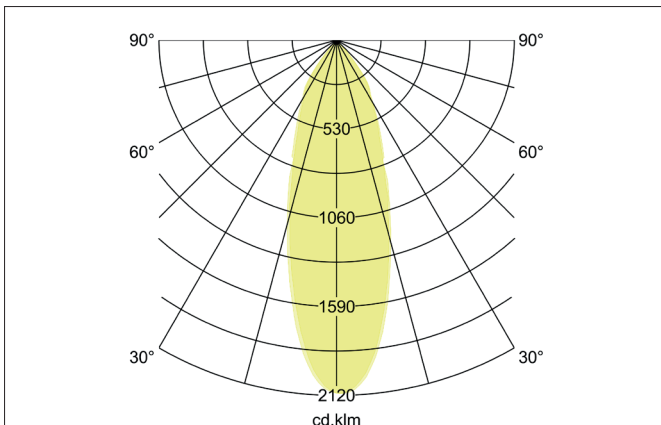
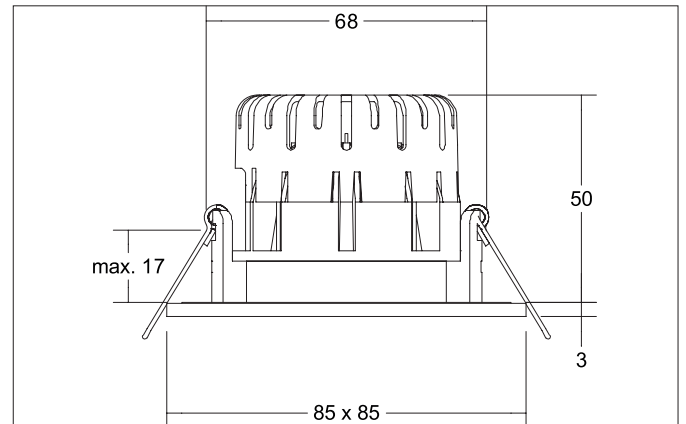


**BB21 LED recessed spotlight set, IP65, trailing-edge phase dimmer,  
with connection box**

Article no. 39481173AB

Light.  
For Generations.**Tender**

LED recessed spotlight set, IP65, trailing-edge phase dimmer, with connection box, Square. Toolless ceiling installation by installation springs. Ceiling cut-out  $\varnothing$  68 mm, Installation depth 50 mm, Outer diameter 82 mm, Weight 0,215 kg. Reflector silver with rotationssymmetrical, deep, wide distributed light intensity. optimal light distribution due to a plastic, transparent cover. Luminous flux 620 lm, Power 1 x 7 W, Light colour warm white, Correlated color temperature (CCT) 3.000 K, Colour rendering index CRI > 80, Rated life time L70/B50 at 25 °C: 30.000 h, Rated life time L80/B20 at 25 °C: 50.000 h, Housing material: Aluminium / Plastic, Colour: White structure, Permissible ambient temperature (ta): -20 °C - +25 °C, Protection class (EN 61140): II, Degree of protection (DIN EN 60529): IP65, .With electronic driver, Trailing-edge phase dimmable.

**BB21 LED recessed spotlight set, IP65, trailing-edge phase dimmer, with connection box**

Article no. 39481173AB

Light.  
For Generations.

| Article data       |   |
|--------------------|---|
| Article no.        | 39481173AB  |
| GTIN               | 4251433997405   |
| Series name        | BB21  |
| Short description  | LED recessed spotlight set, IP65, trailing-edge phase dimmer, with connection box |
| Material           | Aluminium / Plastic   |
| Colour             | White   |
| Type of surface    | Structure   |
| Shape              | Square  |
| Outer diameter     | 82 mm   |
| Built-in diameter  | 68 mm   |
| Installation depth | 50 mm   |
| Length             | 85 mm   |
| Width              | 85 mm   |
| Hight              | 3 mm  |
| Scope of delivery  | incl. connection box, 3-pole  |
| Weight             | 0.215 kg  |

| Lighting technology |            |
|---------------------|------------|
| Colour temperature  | 3.000 K    |
| Light colour        | White      |
| Light output        | Direct     |
| Luminous flux       | 620 lm     |
| System efficiency   | 89 lm/W    |
| Colour rendering    | CRI > 80   |
| Reflector           | High-gloss |
| Reflektorfarbe      | silver     |
| Beam angle          | 36°        |
| Light sharing       | Symmetric  |

**Operating technology of the luminaire**

| Operating technology of driver |                     |
|--------------------------------|---------------------|
| Length                         | 110 mm              |
| Width                          | 50 mm               |
| Hight                          | 19 mm               |
| AC nominal voltage min         | 198 V               |
| AC nominal voltage max         | 264 V               |
| Frequenz max.                  | 50 Hz               |
| Dimmable                       | Yes                 |
| Control                        | Trailing-edge phase |
| Starting current               | 1A (15,2 µs)        |
| Power min                      | 2.8 W               |
| Power                          | 7 W                 |
| Current                        | 350 mA              |
| Degree of protection           | IP20                |
| Protection class               | II                  |
| Flickerfrei                    | Yes                 |

| Mounting technology         |   |
|-----------------------------|---|
| Mounting method             | Recessed mounting                         |
| Place of installation       | Ceiling-mounted                           |
| Adjustability               | Not adjustable                            |
| Max. ceiling thickness      | 17 mm                                     |
| Further references          | No cover with thermal insulation material |
| Material cover              | Plastic, transparent                      |
| Suitable for through-wiring | Yes                                       |

**BB21 LED recessed spotlight set, IP65, trailing-edge phase dimmer,  
with connection box**

Article no. 39481173AB

Light.  
For Generations.

| Packing data            |  |
|-------------------------|--|
| Gross weight            | 0.256 kg   |
| Length of packaging     | 115 mm   |
| Packaging width         | 95 mm  |
| Packaging height        | 80 mm  |
| Disposal at end of life | <p>This product must not be disposed of with household waste. You are obliged, to dispose of such electrical waste separately.</p> <p>By disposing of electrical waste and other old or defective electronics separately, you support recycling or other forms of re-use. In that way you help to take care and to avoid that harmful substances get into the environment.</p> |