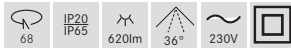
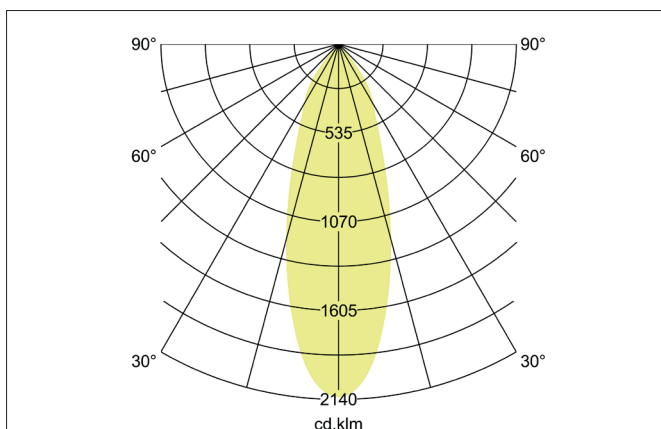
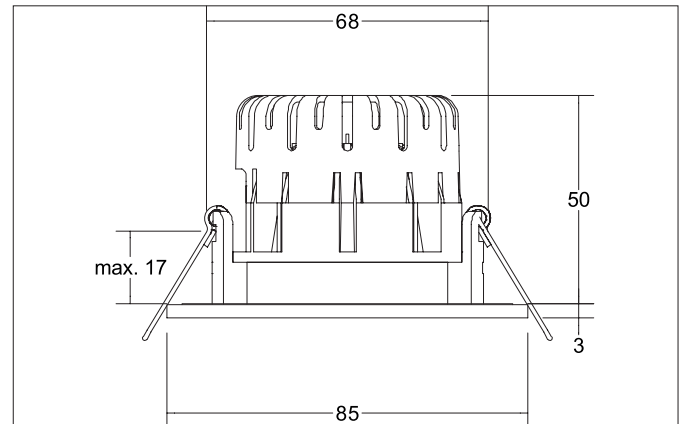


BB20 LED recessed spotlight set, IP65, trailing-edge phase dimmer, with connection box

Article no. 39480173AB

Light.
For Generations.**Tender**

LED recessed spotlight set, IP65, trailing-edge phase dimmer, with connection box, Round. Toolless ceiling installation by installation springs. Ceiling cut-out Ø 68 mm, Installation depth 50 mm, Outer diameter 85 mm, Weight 0,206 kg, Reflector silver with rotationssymmetrical, deep, wide distributed light intensity, optimal light distribution due to a plastic, transparent cover. Luminous flux 620 lm, Power 1 x 7 W, Light colour warm white, Correlated color temperature (CCT) 3.000 K, Colour rendering index CRI > 80, Rated life time L70/B50 at 25 °C: 30.000 h, Rated life time L80/B20 at 25 °C: 50.000 h, Housing material: Aluminium / Plastic, Colour: White structure, Permissible ambient temperature (ta): -20 °C - +25 °C, Protection class (EN 61140): II, Degree of protection (DIN EN 60529): IP65, .With electronic driver, Trailing-edge phase dimmable.

Article data	
Article no.	39480173AB
GTIN	4251433997351
Series name	BB20
Short description	LED recessed spotlight set, IP65, trailing-edge phase dimmer, with connection box
Material	Aluminium / Plastic
Colour	White
Type of surface	Structure
Shape	Round
Outer diameter	85 mm
Built-in diameter	68 mm
Installation depth	50 mm
Hight	3 mm
Scope of delivery	incl. connection box, 3-pole
Weight	0.206 kg

**BB20 LED recessed spotlight set, IP65, trailing-edge phase dimmer,
with connection box**

Article no. 39480173AB

Light.
For Generations.

Lighting technology	
Colour temperature	3.000 K
Light colour	White
Light output	Direct
Luminous flux	620 lm
System efficiency	89 lm/W
Colour rendering	CRI > 80
Reflector	High-gloss
Reflektorfarbe	silver
Beam angle	36°
Light sharing	Symmetric

Operating technology of the luminaire	
---------------------------------------	--

Operating technology of driver	
Length	110 mm
Width	50 mm
Hight	19 mm
AC nominal voltage min	198 V
AC nominal voltage max	264 V
Frequenz max.	50 Hz
Dimmable	Yes
Control	Trailing-edge phase
Starting current	1A (15,2 µs)
Power min	2.8 W
Power	7 W
Current	350 mA
Degree of protection	IP20
Protection class	II
Flickerfrei	Yes

Mounting technology	
Mounting method	Recessed mounting
Place of installation	Ceiling-mounted
Adjustability	Not adjustable
Max. ceiling thickness	17 mm
Further references	No cover with thermal insulation material
Material cover	Plastic, transparent
Suitable for through-wiring	Yes

Packing data	
Gross weight	0.255 kg
Length of packaging	95 mm
Packaging width	75 mm
Packaging hight	95 mm
Disposal at end of life	This product must not be disposed of with household waste. You are obliged, to dispose of such electrical waste separately. By disposing of electrical waste and other old or defective electronics separately, you support recycling or other forms of re-use. In that way you help to take care and to avoid that harmful substances get into the environment.