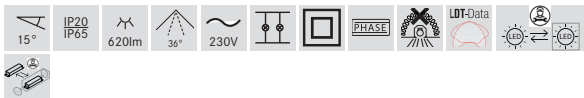
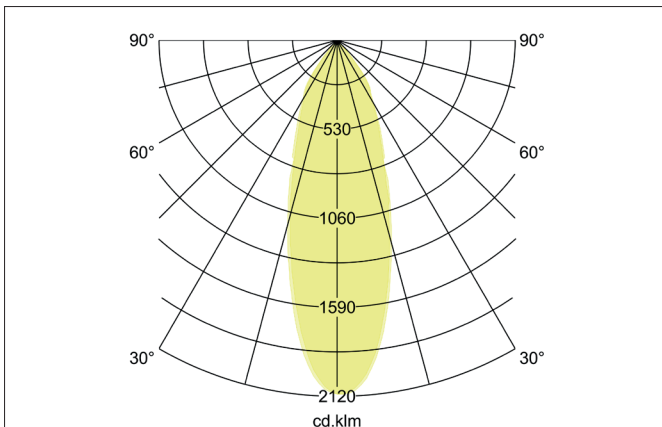
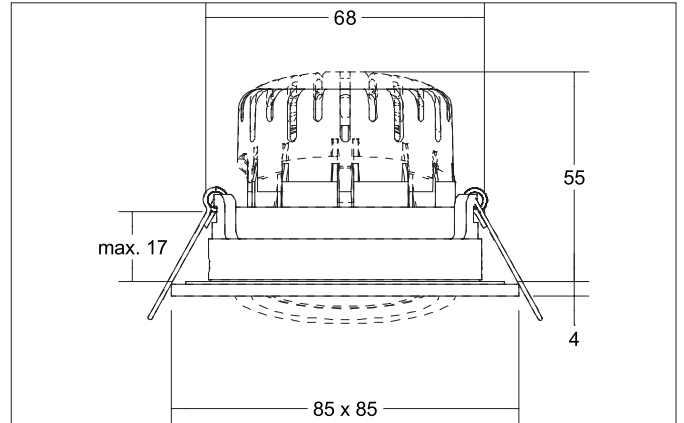


BB25 LED recessed spotlight set, IP65, trailing edge dimmable (round converter), with connection box
Article no. 40488183AB



Tender
Square LED recessed spotlight set, IP65, trailing edge dimmable (round converter), with connection box, tool-free ceiling installation using installation springs. Ceiling cut-out Ø 68 mm, installation depth 55 mm, length 85 mm, width 85 mm, weight 0.233 kg, silver reflector with rotationally symmetrical narrow-wide beam light distribution. Transparent plastic cover, rated luminous flux 620 lm, rated wattage 1 x 7 W, light color warm white, most similar color temperature (CCT) 3,000 K, general color rendering index CRI > 80, service life L70/B50 at 25 °C: 30,000 h, service life L80/B20 at 25 °C: 50,000 h, housing material: aluminum / plastic, color: textured black, permissible ambient temperature (ta): -20 °C - +25 °C, protection class (EN 61140): II, degree of protection (DIN EN 60529): IP65. With electronic control gear, trailing edge dimmable.

**BB25 LED recessed spotlight set, IP65, trailing edge dimmable
 (round converter), with connection box**

Article no. 40488183AB

Article data	
Article no.	40488183AB
GTIN	4251433997580
Series name	BB25
Short description	LED recessed spotlight set, IP65, trailing edge dimmable (round converter), with connection box
Material	Aluminium / Plastic
Colour	Black
Type of surface	Structure
Shape	Square
Built-in diameter	68 mm
Installation depth	55 mm
Length	85 mm
Width	85 mm
Height	4 mm
Scope of delivery	incl. connection box 3-pole, for through-wiring
Weight	0.233 kg
Conformance	CE, UKCA

Lighting technology	
Colour temperature	3.000 K
Light colour	White
Light output	Direct
Luminous flux	620 lm
System efficiency	89 lm/W
Colour rendering	CRI > 80
Reflector	Faceted
Reflector colour	silver
Beam angle	36°
Light sharing	Symmetric
Adjustable color temperature	No

Operating technology of the luminaire	
Power	6 W
Voltage type	DC
Current	350 mA
Lamp	LED
Protection class	III
Degree of protection	IP65
Rated life time L70/B50 at 25 °C	30,000 h

Operating technology of driver	
Article No. of used driver	17652001
Power min	4.9 W
Power	7 W

Mounting technology	
Mounting method	Recessed mounting
Place of installation	Ceiling-mounted
Adjustability	Pivoted
Swivel angle	15°
Max. ceiling thickness	17 mm
Further references	No cover with thermal insulation material
Material cover	Plastic, transparent
Suitable for through-wiring	Yes

**BB25 LED recessed spotlight set, IP65, trailing edge dimmable
(round converter), with connection box**
Article no. 40488183AB

Packing data	
Gross weight	0.272 kg
Length of packaging	115 mm
Packaging width	95 mm
Packaging height	80 mm
Disposal at end of life	<p>This product must not be disposed of with household waste. You are obliged, to dispose of such electrical waste separately.</p> <p>By disposing of electrical waste and other old or defective electronics separately, you support recycling or other forms of re-use. In that way you help to take care and to avoid that harmful substances get into the environment.</p>