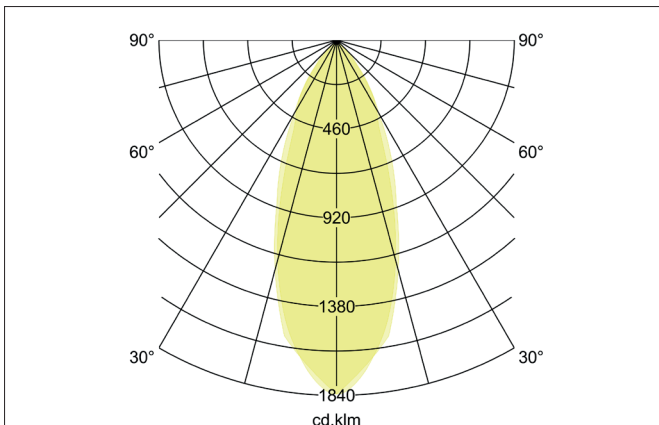
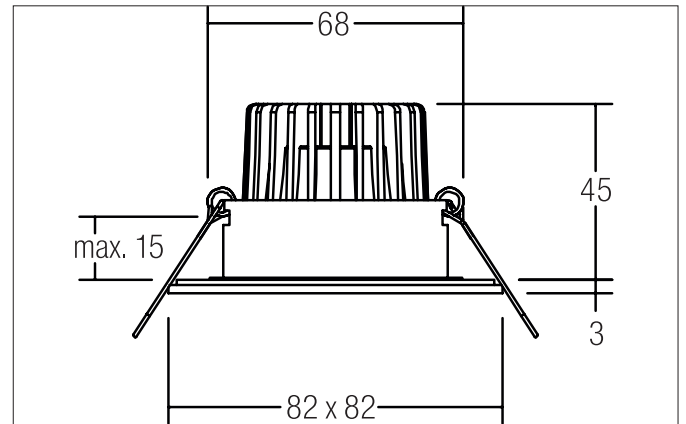


**ITANSA-S BB16 LED recessed downlight set, V4A, IP54, switchable,  
with connection box**  
Article no. 38476073

Light.  
For Generations.



#### Tender

LED recessed downlight set, V4A, IP54, switchable, with connection box, Square. Toolless ceiling installation by installation springs. Ceiling cut-out Ø 68 mm, Installation depth 45 mm, Length 82 mm, Width 82 mm, Weight 0,303 kg, Reflector silver with rotationssymmetrical, deep, wide distributed light intensity. optimal light distribution due to a glass transparent cover. Luminous flux 680 lm, Power 1 x 6 W, Light colour warm white, Correlated color temperature (CCT) 3.000 K, Colour rendering index CRI > 80, Rated life time L80/B20 at 25 °C: 50.000 h, Housing material: Stainless steel V4A / Aluminium / Glass / Plastic, Colour: White, Permissible ambient temperature (ta): -20 °C - +25 °C, Protection class (EN 61140): II, Degree of protection (DIN EN 60529): IP54, .With electronic driver, on/off switchable.

**ITANSA-S BB16 LED recessed downlight set, V4A, IP54, switchable,  
with connection box**

Article no. 38476073

Light.  
For Generations.

| Article data       |  |
|--------------------|--|
| Article no.        | 38476073   |
| GTIN               | 4251433997078  |
| Series name        | ITANSA-S BB16  |
| Short description  | LED recessed downlight set, V4A, IP54, switchable, with connection box |
| Material           | Stainless steel V4A / Aluminium / Glass / Plastic                      |
| Colour             | White  |
| Type of surface    | Matt   |
| Shape              | Square   |
| Built-in diameter  | 68 mm  |
| Installation depth | 45 mm  |
| Length             | 82 mm  |
| Width              | 82 mm  |
| Hight              | 3 mm   |
| Scope of delivery  | incl. connection box, 3-pole   |
| Weight             | 0.303 kg   |
| stamp              | UKCA   |
| Conformance        | CE, UKCA   |

| Lighting technology          |            |
|------------------------------|------------|
| Colour temperature           | 3.000 K    |
| Light colour                 | White      |
| Light output                 | Direct     |
| Luminous flux                | 680 lm     |
| System efficiency            | 113 lm/W   |
| Colour rendering             | CRI > 80   |
| Reflector                    | High-gloss |
| Reflector colour             | silver     |
| Beam angle                   | 38°        |
| Light sharing                | Symmetric  |
| Adjustable color temperature | No         |

| Operating technology of the luminaire |           |
|---------------------------------------|-----------|
| Article No. of used light source      | 12924003  |
| Hight                                 | 40 mm     |
| Diameter                              | 50 mm     |
| Lamp holder                           | Plug&Play |
| Power                                 | 6 W       |
| Voltage type                          | DC        |
| Current                               | 350 mA    |
| Lamp                                  | LED       |
| Protection class                      | III       |
| Degree of protection                  | IP20      |

**ITANSA-S BB16 LED recessed downlight set, V4A, IP54, switchable,  
with connection box**

Article no. 38476073

Light.  
For Generations.

| Operating technology of driver |                 |
|--------------------------------|-----------------|
| Article No. of used driver     | 17662000        |
| Length                         | 68 mm           |
| Width                          | 35 mm           |
| Hight                          | 21 mm           |
| AC nominal voltage min         | 90 V            |
| AC nominal voltage max         | 264 V           |
| Frequency max                  | 60 Hz           |
| Dimmable                       | No              |
| Control                        | on/off          |
| Starting current               | 10 A (max.10ms) |
| Power min                      | 1 W             |
| Power                          | 7.2 W           |
| Output current                 | 350 mA          |
| Degree of protection           | IP20            |
| Protection class               | II              |
| Flicker-free                   | Yes             |

| Mounting technology         |   |
|-----------------------------|---|
| Mounting method             | Recessed mounting                             |
| Place of installation       | Ceiling-mounted                               |
| Adjustability               | Not adjustable                                |
| Max. ceiling thickness      | 15 mm   |
| Further references          | V4A No cover with thermal insulation material |
| Material cover              | Glass transparent                             |
| Suitable for through-wiring | Yes   |

| Packing data            |   |
|-------------------------|---|
| Gross weight            | 0.339 kg  |
| Length of packaging     | 95 mm   |
| Packaging width         | 75 mm   |
| Packaging hight         | 95 mm   |
| Disposal at end of life | This product must not be disposed of with household waste. You are obliged, to dispose of such electrical waste separately.<br>By disposing of electrical waste and other old or defective electronics separately, you support recycling or other forms of re-use. In that way you help to take care and to avoid that harmful substances get into the environment. |