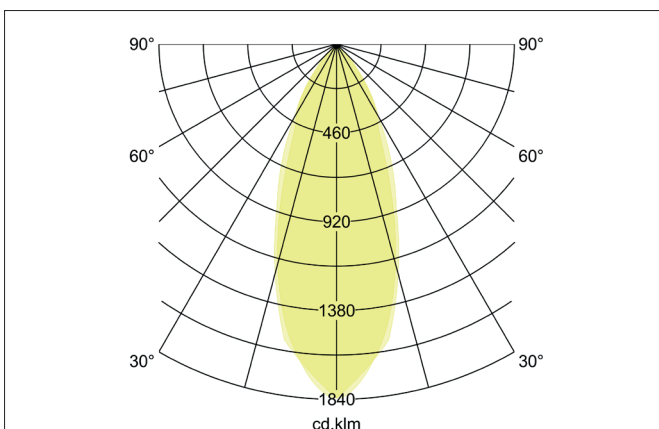
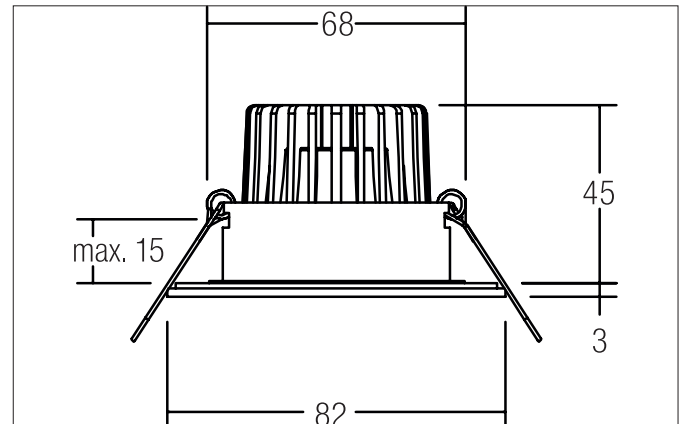


ITANSA-R BB15 LED recessed downlight set, V4A, IP54, trailing-edge phase dimmer (round converter), with connection box
Article no. 40475073

Light.
For Generations.



Tender

LED recessed downlight set, V4A, IP54, trailing-edge phase dimmer (round converter), with connection box, Round. Toolless ceiling installation by installation springs. Ceiling cut-out \varnothing 68 mm, Installation depth 45 mm, Outer diameter 82 mm, Weight 0,291 kg, Reflector silver with rotationssymmetrical, deep, wide distributed light intensity. optimal light distribution due to a glass transparent cover. Luminous flux 680 lm, Power 1 x 6 W, Light colour warm white, Correlated color temperature (CCT) 3.000 K, Colour rendering index CRI > 80, Rated life time L80/B20 at 25 °C: 50.000 h, Housing material: Stainless steel / Aluminium / Glass, Colour: White, Permissible ambient temperature (ta): -20 °C - +25 °C, Protection class (EN 61140): II, Degree of protection (DIN EN 60529): IP54 when installing in closed ceilings, .With electronic driver, Trailing-edge phase dimmable.

ITANSA-R BB15 LED recessed downlight set, V4A, IP54, trailing-edge phase dimmer (round converter), with connection box

Article no. 40475073

Light.
For Generations.

Article data	
Article no.	40475073
GTIN	4251433997023
Series name	ITANSA-R BB15
Short description	LED recessed downlight set, V4A, IP54, trailing-edge phase dimmer (round converter), with connection box
Material	Stainless steel / Aluminium / Glass
Colour	White
Type of surface	Matt
Shape	Round
Outer diameter	82 mm
Built-in diameter	68 mm
Installation depth	45 mm
Hight	3 mm
Scope of delivery	incl. connection box, 3-pole
Weight	0.291 kg
stamp	UKCA
Conformance	CE, UKCA

Lighting technology	
Colour temperature	3.000 K
Light colour	White
Light output	Direct
Luminous flux	680 lm
System efficiency	113 lm/W
Colour rendering	CRI > 80
Reflector	High-gloss
Reflector colour	silver
Beam angle	38°
Light sharing	Symmetric
Adjustable color temperature	No

Operating technology of the luminaire	
Hight	3 mm
Power	35 W
Voltage type	AC/DC
Maximum nominal voltage	12.00 V
Lamp	For LED-retrofill lamp
Protection class	III
Degree of protection	IP54
Protection class on the ceiling side	IP20
Bulb change possible	Yes

Operating technology of driver	
Article No. of used driver	17652001
Power min	4.9 W
Power	7 W




Mounting technology	
Mounting method	Recessed mounting
Place of installation	Ceiling-mounted
Adjustability	Not adjustable
Max. ceiling thickness	15 mm
Further references	V4A No cover with thermal insulation material
Material cover	Glass transparent
Circlip	Without circlip
Suitable for through-wiring	Yes

ITANSA-R BB15 LED recessed downlight set, V4A, IP54, trailing-edge phase dimmer (round converter), with connection box

Article no. 40475073

Light.
For Generations.

Packing data	
Gross weight	0.327 kg
Length of packaging	95 mm
Packaging width	75 mm
Packaging height	95 mm
Disposal at end of life	<p>This product must not be disposed of with household waste. You are obliged, to dispose of such electrical waste separately.</p> <p>By disposing of electrical waste and other old or defective electronics separately, you support recycling or other forms of re-use. In that way you help to take care and to avoid that harmful substances get into the environment.</p>

Accessories	
	<p>Article no.: 8 1204270 Reducing ring D 110 mm, for luminaire cut-out size 68 mm</p>
	<p>Article no.: 8 1205270 Reducing ring D 130 mm, for luminaire cut-out size 68 mm</p>
	<p>Article no.: 8 1206270 Reducing ring D 145 mm, for luminaire cut-out size 68 mm</p>