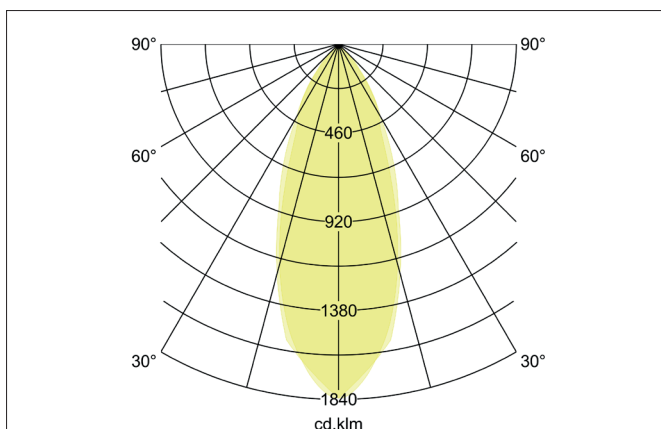
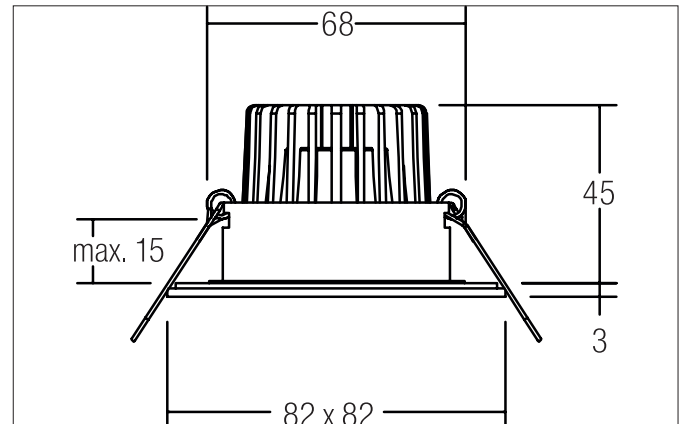


**ITANSA-S BB16 LED recessed downlight set, V4A, IP54, trailing-edge phase dimmer (round converter), with connection box**  
Article no. 40476083

Light.  
For Generations.



#### Tender

LED recessed downlight set, V4A, IP54, trailing-edge phase dimmer (round converter), with connection box, Square. Toolless ceiling installation by installation springs. Ceiling cut-out Ø 68 mm, Installation depth 45 mm, Length 82 mm, Width 82 mm, Weight 0,312 kg, Reflector silver with rotationssymmetrical, deep, wide distributed light intensity. optimal light distribution due to a glass transparent cover. Luminous flux 680 lm, Power 1 x 6 W, Light colour warm white, Correlated color temperature (CCT) 3.000 K, Colour rendering index CRI > 80, Rated life time L80/B20 at 25 °C: 50.000 h, Housing material: Stainless steel / Aluminium / Glass, Colour: Black, Permissible ambient temperature (ta): -20 °C - +25 °C, Protection class (EN 61140): II, Degree of protection (DIN EN 60529): IP54, .With electronic driver, Trailing-edge phase dimmable.

**ITANSA-S BB16 LED recessed downlight set, V4A, IP54, trailing-edge phase dimmer (round converter), with connection box**

Article no. 40476083

Light.  
For Generations.

Article data	
Article no.	40476083
GTIN	4251433997092
Series name	ITANSA-S BB16
Short description	LED recessed downlight set, V4A, IP54, trailing-edge phase dimmer (round converter), with connection box
Material	Stainless steel / Aluminium / Glass
Colour	Black
Type of surface	Matt
Shape	Square
Built-in diameter	68 mm
Installation depth	45 mm
Length	82 mm
Width	82 mm
Hight	3 mm
Scope of delivery	incl. connection box, 3-pole
Weight	0.312 kg
stamp	UKCA
Conformance	CE, UKCA

Lighting technology	
Colour temperature	3.000 K
Light colour	White
Light output	Direct
Luminous flux	680 lm
System efficiency	113 lm/W
Colour rendering	CRI > 80
Reflector	High-gloss
Reflector colour	silver
Beam angle	38°
Light sharing	Symmetric
Adjustable color temperature	No

Operating technology of the luminaire	
Article No. of used light source	12924003
Hight	40 mm
Diameter	50 mm
Lamp holder	Plug&Play
Power	6 W
Voltage type	DC
Current	350 mA
Lamp	LED
Protection class	III
Degree of protection	IP20

Operating technology of driver	
Article No. of used driver	17652001
Power min	4.9 W
Power	7 W

Mounting technology	
Mounting method	Recessed mounting
Place of installation	Ceiling-mounted
Adjustability	Not adjustable
Max. ceiling thickness	15 mm
Further references	V4A No cover with thermal insulation material
Material cover	Glass transparent
Suitable for through-wiring	Yes

**ITANSA-S BB16 LED recessed downlight set, V4A, IP54, trailing-edge phase dimmer (round converter), with connection box**

Article no. 40476083

Light.  
For Generations.

Packing data	
Gross weight	0.348 kg
Length of packaging	95 mm
Packaging width	75 mm
Packaging height	95 mm
Disposal at end of life	<p>This product must not be disposed of with household waste. You are obliged, to dispose of such electrical waste separately.</p> <p>By disposing of electrical waste and other old or defective electronics separately, you support recycling or other forms of re-use. In that way you help to take care and to avoid that harmful substances get into the environment.</p>