

POWER FRAME

DE Montageanleitung

ES Instrucciones de montaje

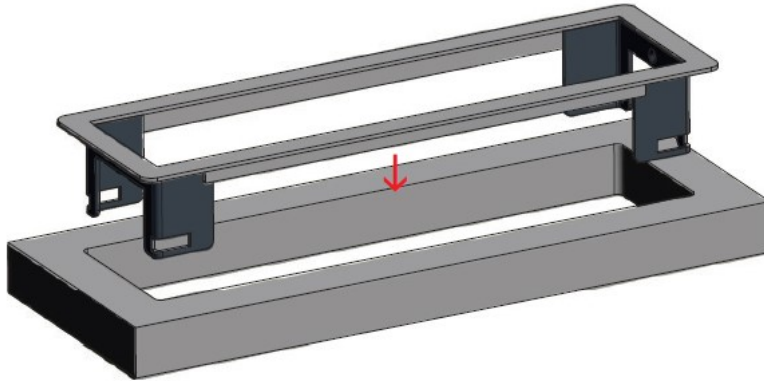
EN Mounting instructions

RO Instrucțiuni de montare

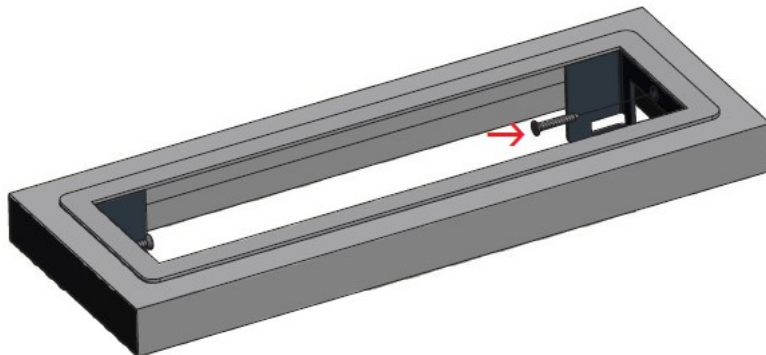
FR Instructions de montage

IT Istruzioni per l'installazione

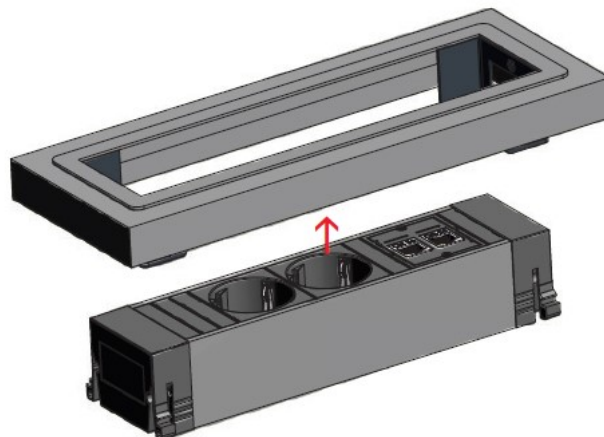
1.

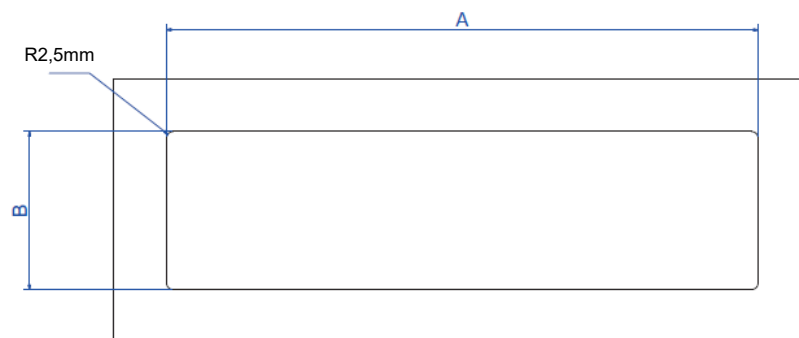
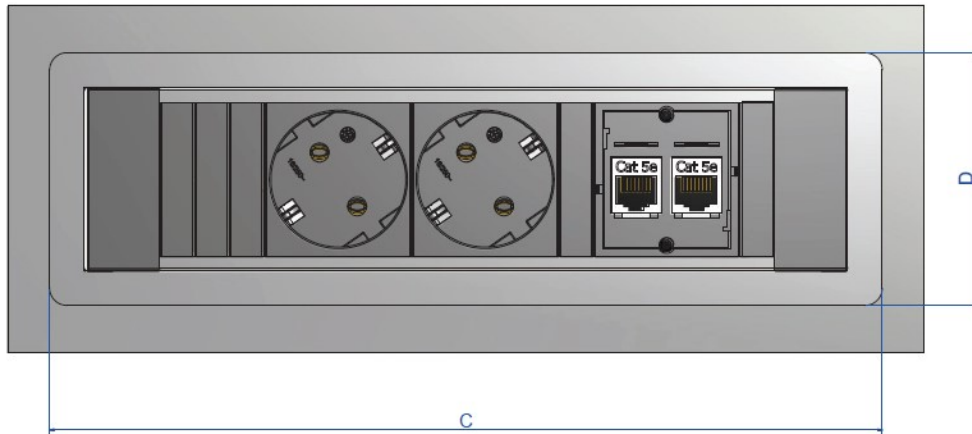


2.



3.





Tisch-Ausschnittmaße / Table cut-out dimensions

	A	B	C	D
XXS	140,00mm	60,00mm	156,00mm	73,0mm
XS	182,50mm	60,00mm	198,50mm	73,00mm
M-L	310,00mm	60,00mm	326,00mm	73,00mm
L-XL	395,00mm	60,00mm	411,00mm	73,00mm
XXL	437,50mm	60,00mm	453,50mm	73,00mm

Ausschnitt für flächenbündige
Version dem Produkt anpassen
Eckenradius 5mm

Adapt table section to product for
flush-mounted version
radius 5mm