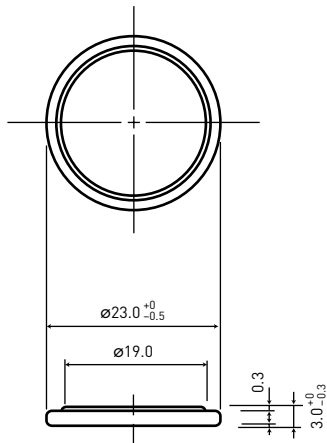


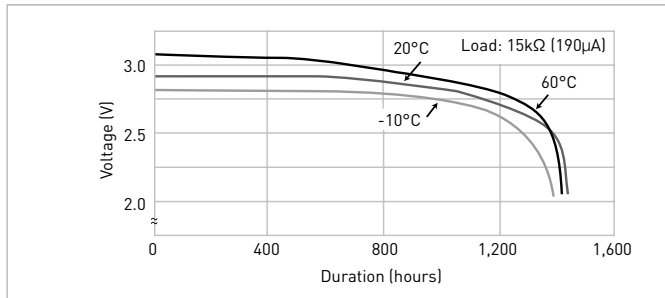
CR-2330

DIMENSIONS (MM)

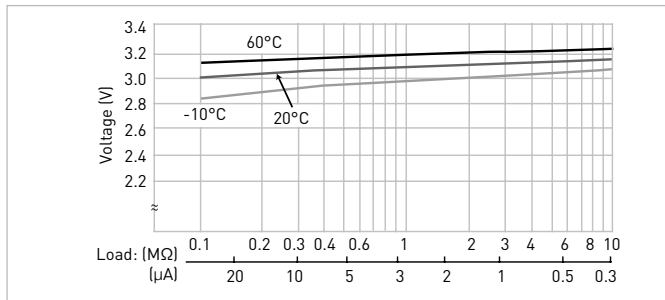


Model number	CR-2330
Nominal voltage (V)	3
Nominal capacity (mAh)	265
Diameter (mm)	23.0
Total height (mm)	3.0
Discharging temperature range (°C)	-30 to +60
Weight (g)	4.0

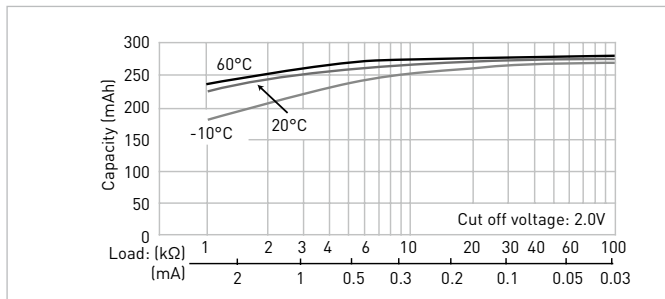
DISCHARGE TEMPERATURE CHARACTERISTICS



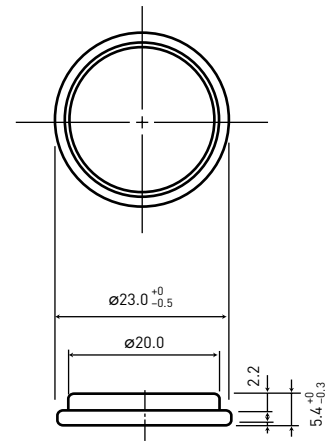
OPERATING VOLTAGE VS. DISCHARGE CURRENT*1



CAPACITY VS. LOAD RESISTANCE

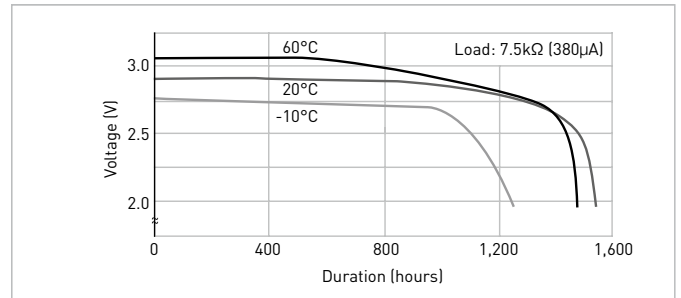


CR-2354

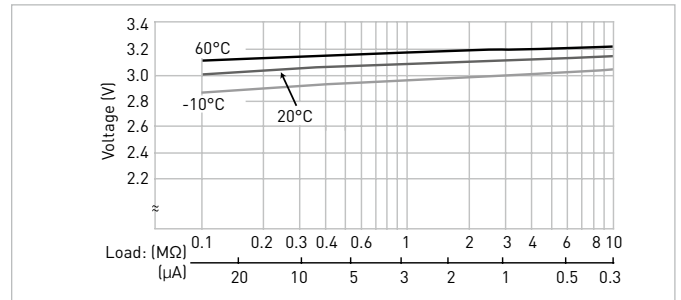


Model number	CR-2354
Nominal voltage (V)	3
Nominal capacity (mAh)	560
Diameter (mm)	23.0
Total height (mm)	5.4
Discharging temperature range (°C)	-30 to +60
Weight (g)	5.9

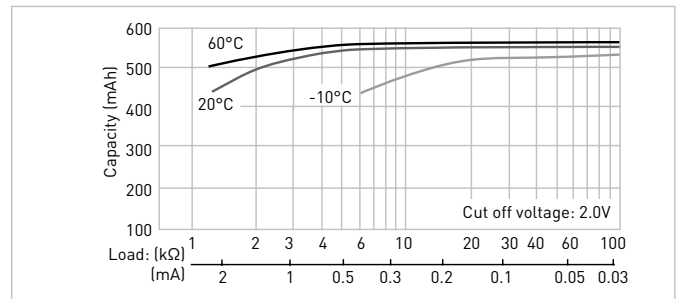
DISCHARGE TEMPERATURE CHARACTERISTICS



OPERATING VOLTAGE VS. DISCHARGE CURRENT*



CAPACITY VS. LOAD RESISTANCE



The data in this document are for descriptive purposes only and are not intended to make or imply any guarantee or warranty.

*1 Voltage at 50% discharge depth.