

multipower - mp[®]

RECHARGEABLE SEALED LEAD ACID BATTERY

SPECIFICATION



MP0,8-12 / JST

Nominal Voltage(V) 12V

Nominal Capacity

20 hour rate	(0.04A	to	10.50V)	0.800Ah
10 hour rate	(0.076A	to	10.50V)	0.760Ah
5 hour rate	(0.136A	to	10.20V)	0.680Ah
1 C	(0.8A	to	9.60V)	0.453Ah
3 C	(2.4A	to	9.60V)	0.320Ah

Weight Approx. 370g (0.82Lbs.)

Internal Resistance (at 1KHz) Approx. 125 mΩ

Maximum Discharge Current for

5 seconds: 12A

Charging Methods at 25°C (77°F)

Cycle use:	
Charging Voltage	14.70V to 14.80V
Coefficient -5.0mv/°C/cell	
Maximum Charging Current:	0.24A
Standby use:	
Float Charging Voltage	13.50V to 13.80V
Coefficient -3.0mv/°C/cell	

Operating Temperature Range

Charge	-15°C (5°F)	to	40°C (104°F)
Discharge	-15°C (5°F)	to	50°C (122°F)
Storage	-15°C (5°F)	to	40°C (104°F)

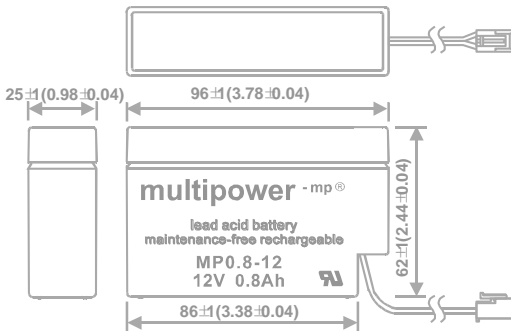
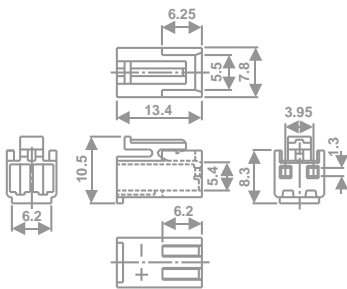
Charge Retention (shelf life) at 20°C (68°F)

1 month	92%
3 month	90%
6 month	80%

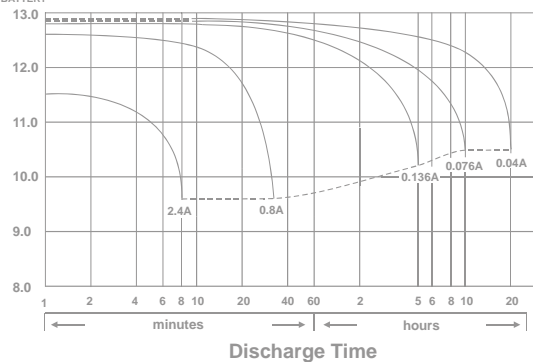
Case Material ABS
(UL94 HB flame retardant case / cover)

Terminal WIRE

Wi50-90

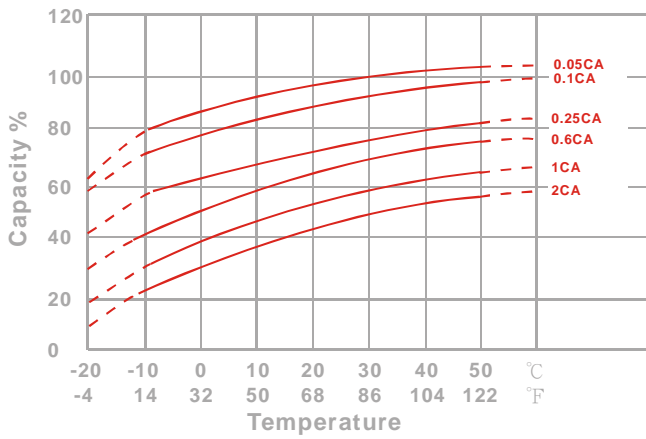


(V) FOR 12V BATTERY
Discharge Time VS. Discharge Current (25°C)

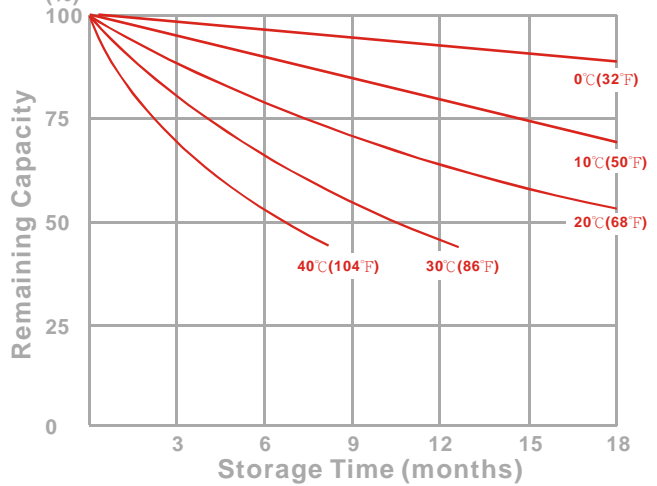


CHARACTERISTIC & PERFORMANCE DATA

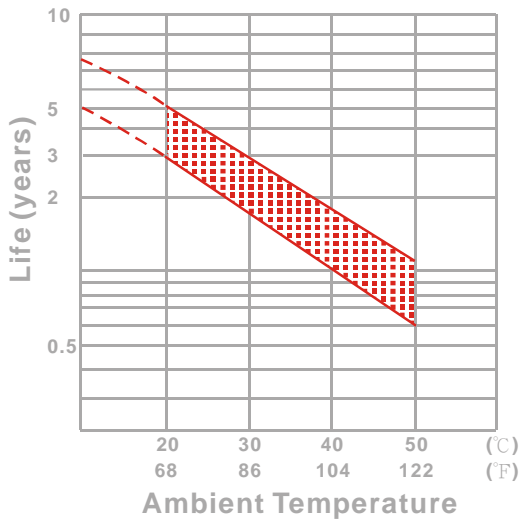
Effect of Temperature on Capacity 25°C(77°F)



Capacity Retention Characteristic



Trickle (or float) Service Life



Cycle Service Life

