



LS14250

ELECTRICAL CHARACTERISTICS

Nominal Capacity 1.2Ah
 (1mA ,+25°C 2V cut off.The capacity restored by the cell varies according to current drain, temperature and cut-off)

Nominal Voltage 3.6V

Max.continuous current 25mA

Max.Pulse Capability 50mA

Storage(recommended) Max.30°C
 (For more severe conditions,consult Ramway)

Operating Temperature Range - 60°C~+85°C
 (Operation at temperature different from ambient may lead to reduced capacity and lower voltage plateau readings)

Weight Approx.11g



SIZE:1/2AA

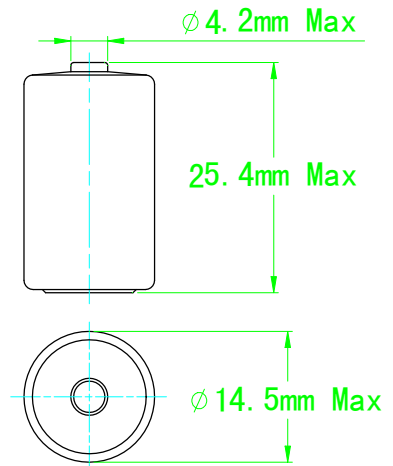
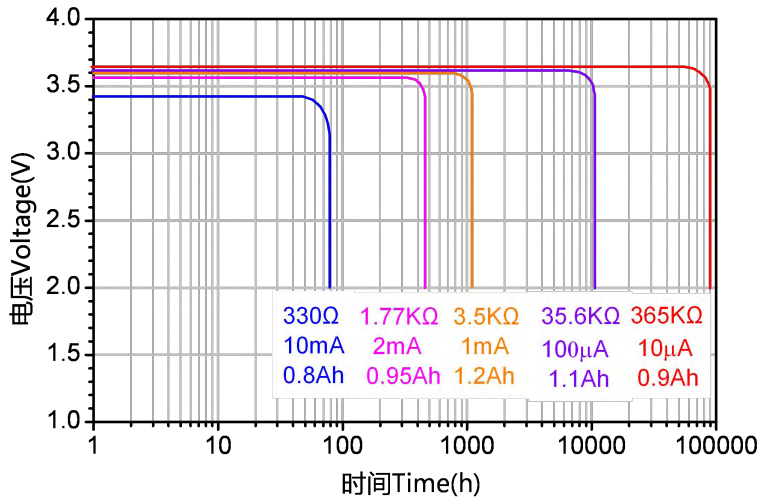
KEY FEATURES

- Low self discharge rate(less than 1%)
- High and stable operating voltage
- after 1 year of storage at 25°C)
- Long storage life
- Stainless steel container(with low magnet)
- Widely operating temperature range
- Hermetic glass-to-metal sealing
- Non-flammable electrolyte
- CE,UL,SGS recognized,ISO9001 approved

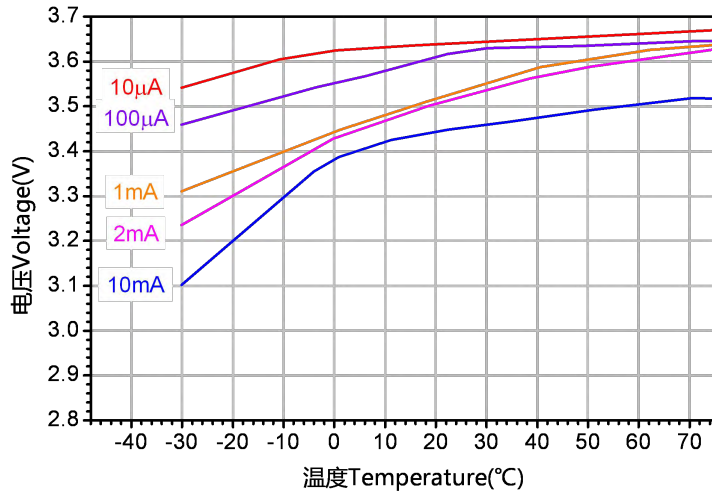
APPLICATION

- Utility metering
- Memory back-up
- Alarms and security devices
- Tollgate systems
- Military electronics
- Automotive electronics
- Professional electronics
- GPS tracking
- Real time clock
- etc.

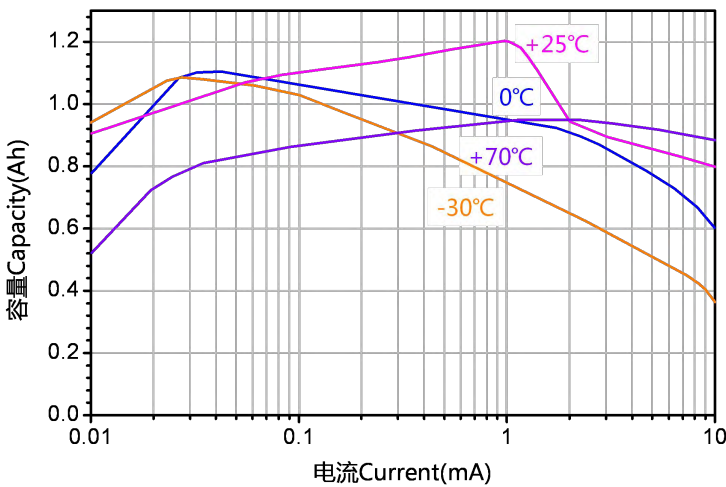
DISCHARGE CHARACTERISTICS (+25°C)



VOLTAGE VERSUS TEMPERATURE



CAPACITY VERSUS CURRENT



WARNING

- ✧ It is strictly forbidden to have the battery positive and negative short circuit, charging, discharging, heating over 100 °C, remove, anatomy, or may cause explosion, combustion, internal acid leakage.
- ✧ Do not solder directly on the battery, should use wire or nickel sheet by pre spot welded .
- ✧ Can not mixed use with old and new battery or mixed use different kinds battery.
- ✧ Don't assemble the batteries from different manufacturers.
- ✧ Do not use the battery over the temperature range.
- ✧ Discharged battery should be buried deeply in the ground.