



## LS14500

### ELECTRICAL CHARACTERISTICS

Nominal Capacity	2.7Ah
(1mA ,+25°C 2V cut off.The capacity restored by the cell varies according to current drain, temperature and cut-off)	
Nominal Voltage	3.6V
Max.continuous current	50mA
Max.Pulse Capability	100mA
Storage(recommended)	Max.30°C
(For more severe conditions,consult Ramway)	
Operating Temperature Range	- 60°C ~ +85°C
(Operation at temperature different from ambient may lead to reduced capacity and lower voltage plateau readings)	
Weight	Approx.19g



SIZE:AA

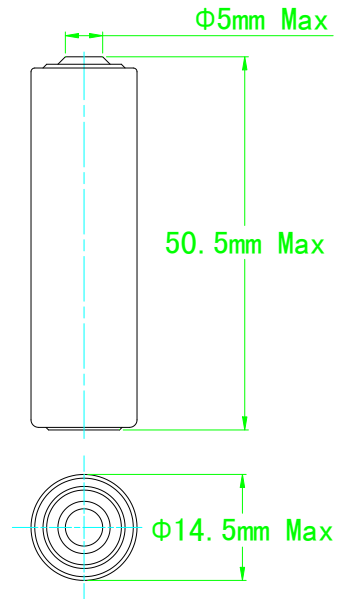
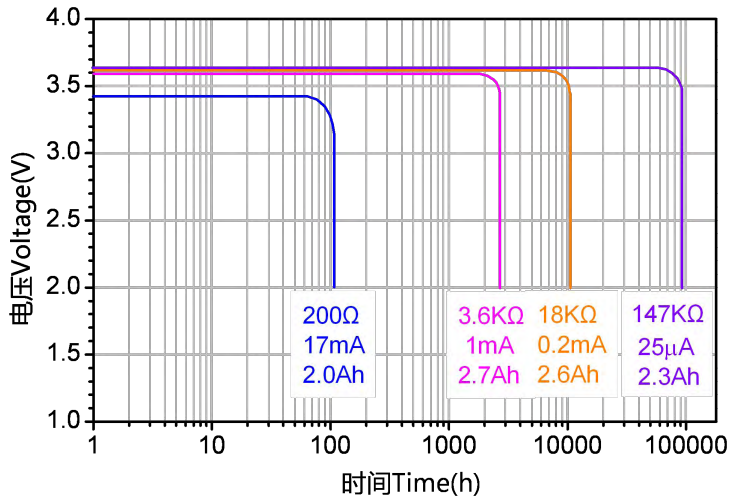
### KEY FEATURES

- High and stable operating voltage
- Low self discharge rate(less than 1% after 1 year of storage at 25°C)
- Long storage life
- Stainless steel container(with low magnet)
- Widely operating temperature range
- Hermetic glass-to-metal sealing
- Non-flammable electrolyte
- CE,UL,SGS recognized,ISO9001 approved

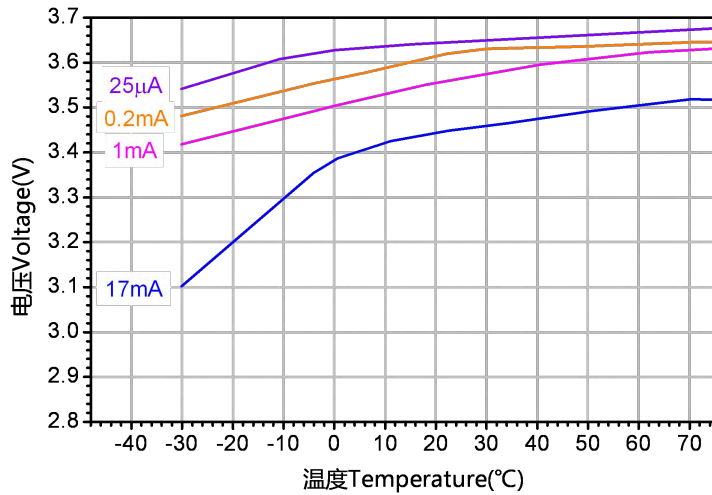
### APPLICATION

- Utility metering
- Memory back-up
- Alarms and security devices
- Tollgate systems
- Military electronics
- Automotive electronics
- Professional electronics
- GPS tracking
- Real time clock

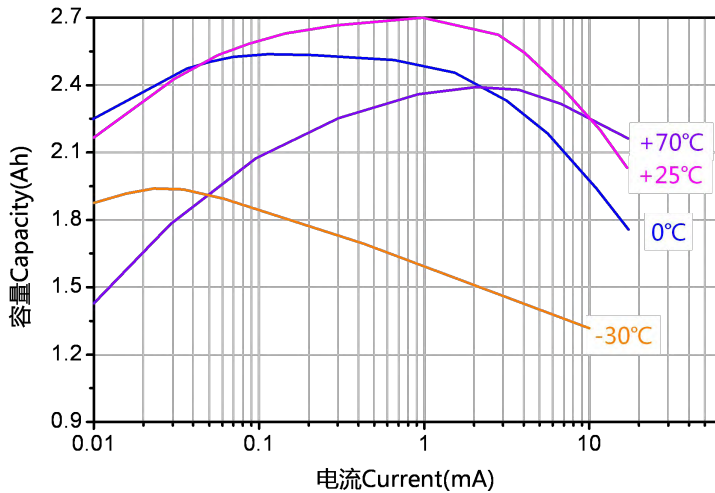
**DISCHARGE CHARACTERISTICS ( +25°C )**



**VOLTAGE VERSUS TEMPERATURE**



**CAPACITY VERSUS CURRENT**



**WARNING**

- ✧ It is strictly forbidden to have the battery positive and negative short circuit, charging, discharging, heating over 100 °C, remove, anatomy, or may cause explosion, combustion, internal acid leakage.
- ✧ Prohibit direct welding in the surface of the battery, should use in advance set with wire or lead battery .
- ✧ Can not use mixed with old and new battery or mixed use different kinds battery.
- ✧ Don't assemble the batteries from different manufacturers.
- ✧ Do not use the battery over the temperature range.
- ✧ Discharged battery should be buried deeply in the ground.