

UK Installation instructions

DE Montageanleitung

CZ Montážní návod

DK Monteringsvejledning

EE Paigaldusjuhend

FI Asennusohje

FR Notice de montage

HU Szerelési útmutató

IT Istruzioni di montaggio

LT Montavimo Instrukcijos

LV Instalācijas instrukcija

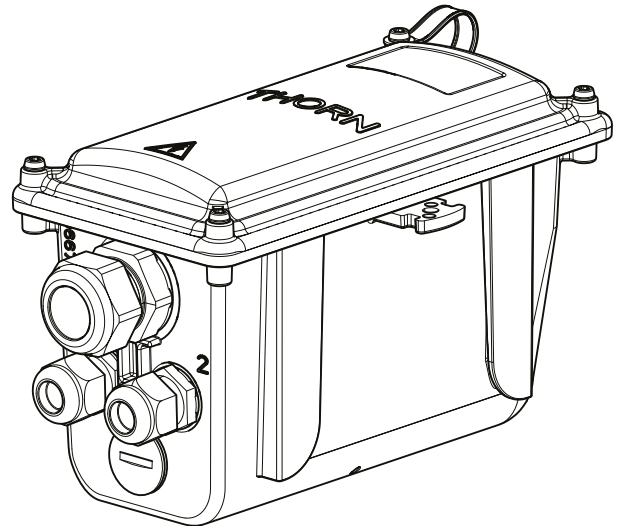
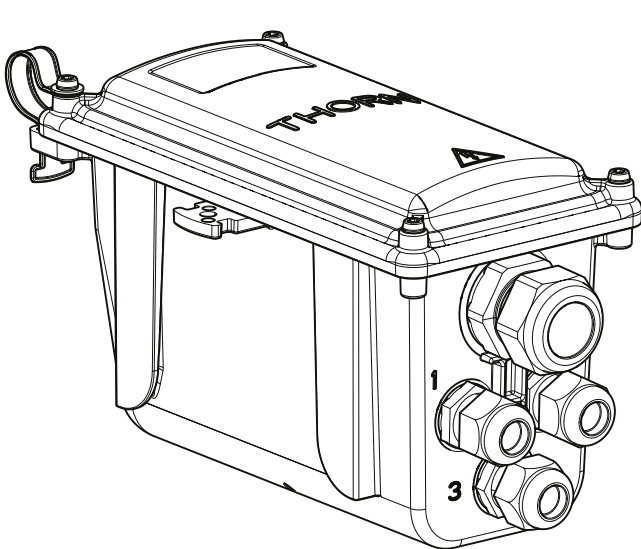
NO Monteringsanvisning

PL Instrukcja montażu

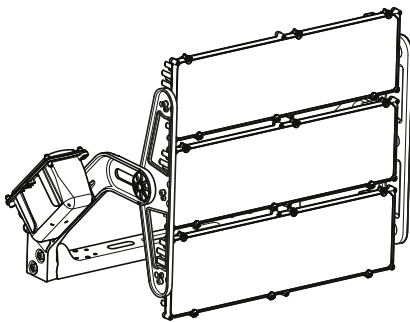
SE Installationsanvisning

RU ИНСТРУКЦИЯ ПО МОНТАЖУ

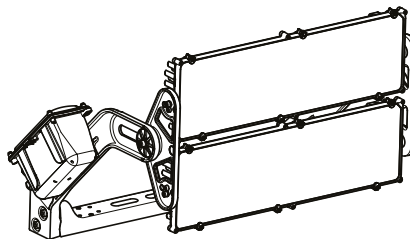
TYPE : ILF SPARE JUNCTION BOX ALTIS G4G5



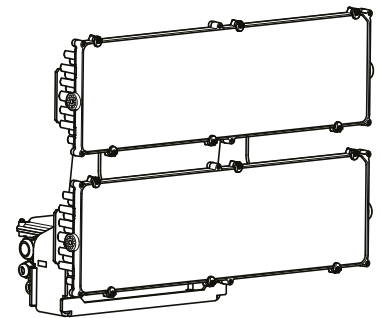
ALG4 432L



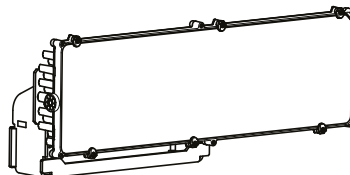
ALG4 288L



ALG4 288L (LB)



ALG4 144L (LB)



IP66 / IK08



The luminaire with clear optic should be positioned so that prolonged staring into the luminaire at a distance <2m is not expected



Extreme caution : Do not connect any LED CONNECTION wire (high voltage) inside NTC connector !! It could result in a critical failure and damage irreversibly the ALTIS luminaire

(7*) **Optional** : NTC connection (thermal monitoring).
Cable 9x cores or above is recommended (ex : H07 RN-F 9G1,5mm²)



Caution, risk of electric shock
Danger, risque de chocs électriques

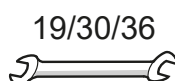
The light source contained in this luminaire shall only be replaced by the manufacturer or his service agent or a similar qualified person.



LED



CLASS I

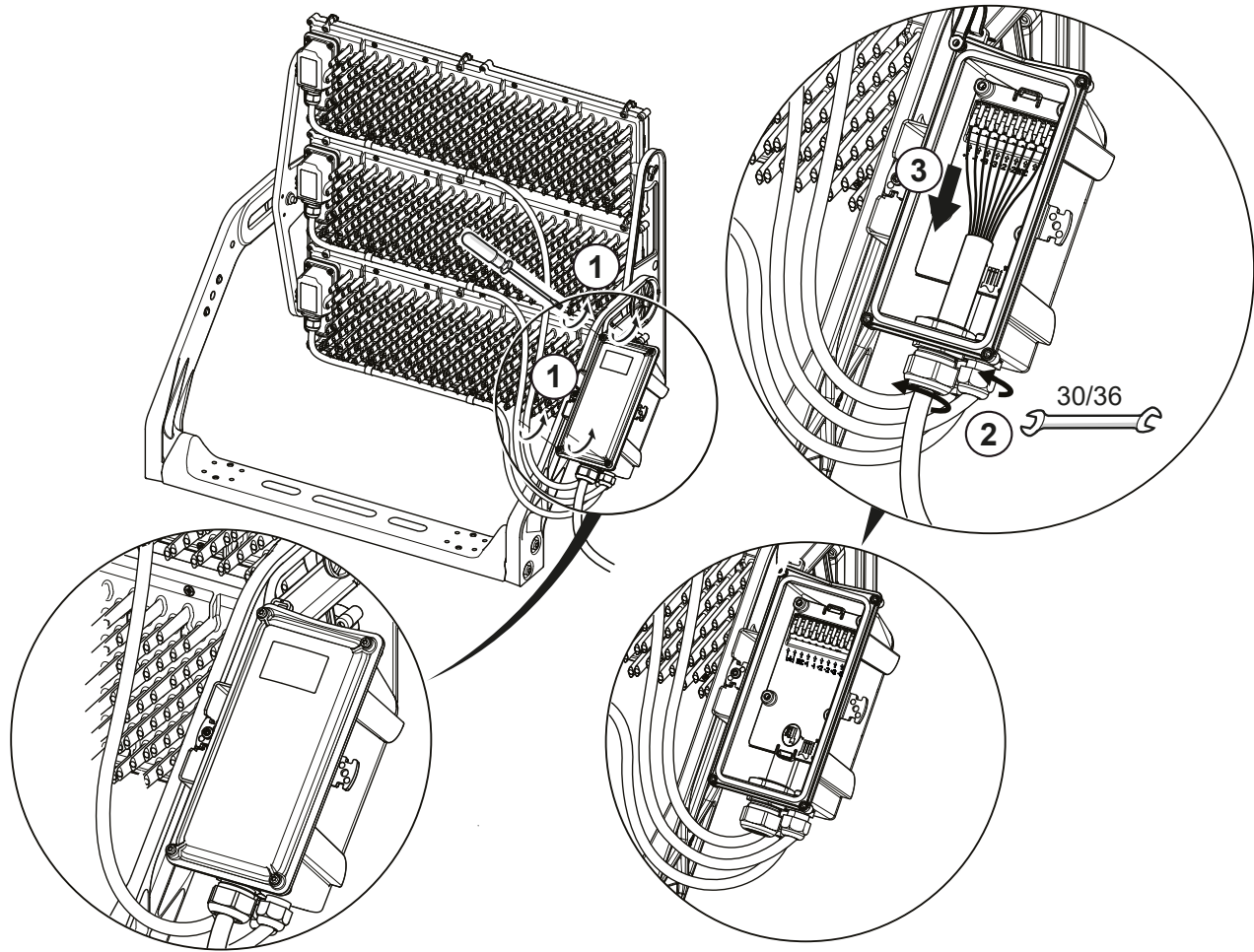


19/30/36

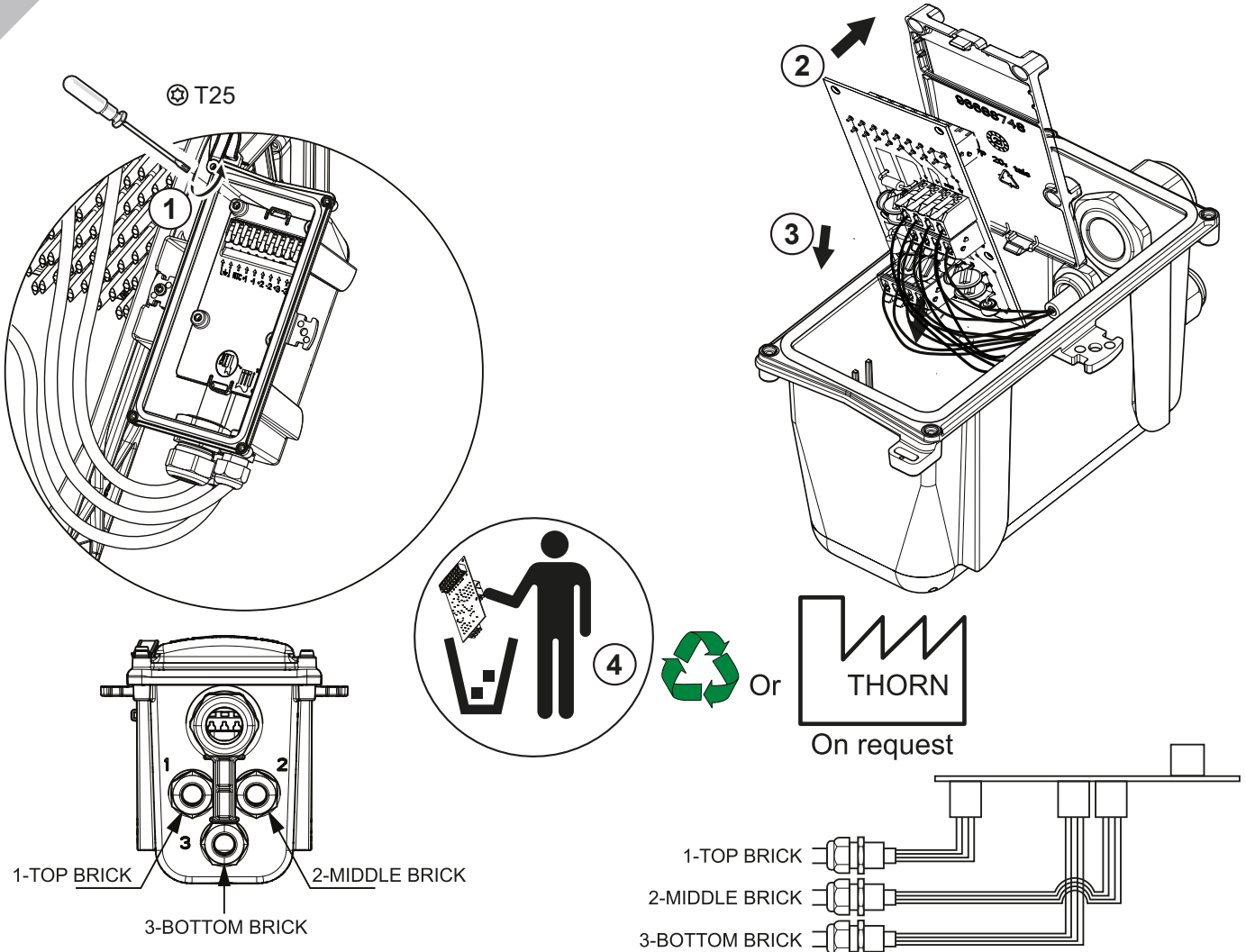


T20/T25

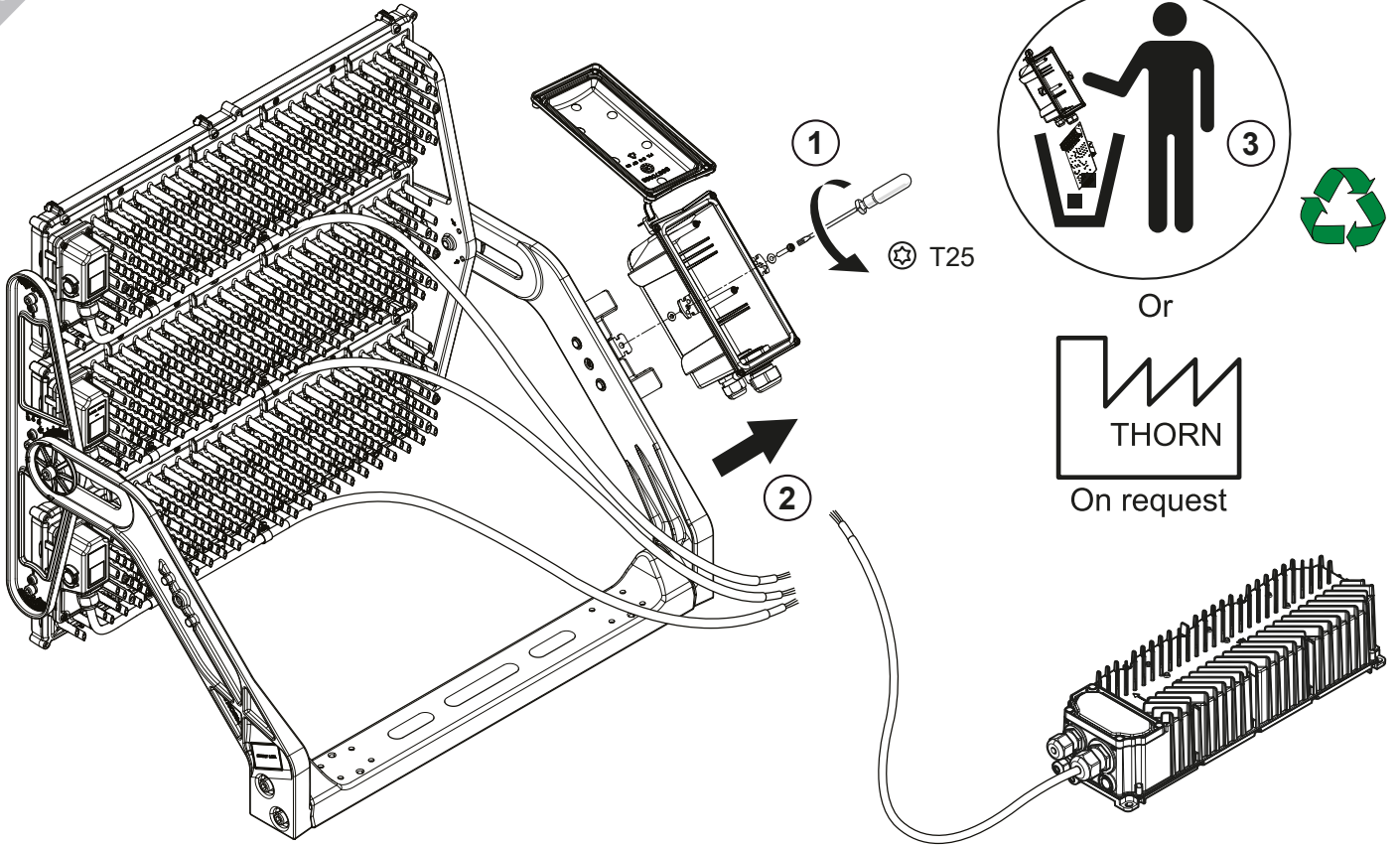
1



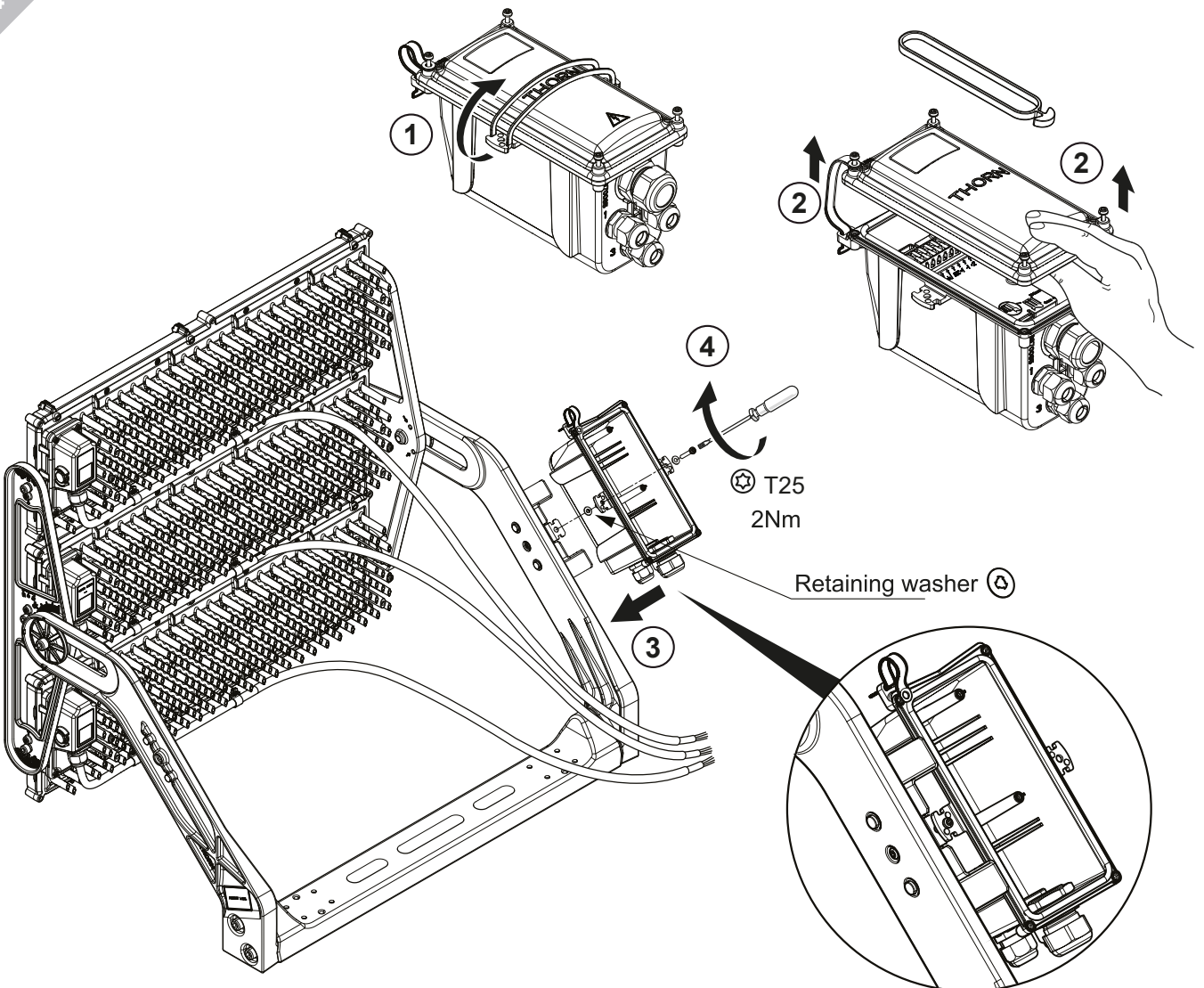
2



3



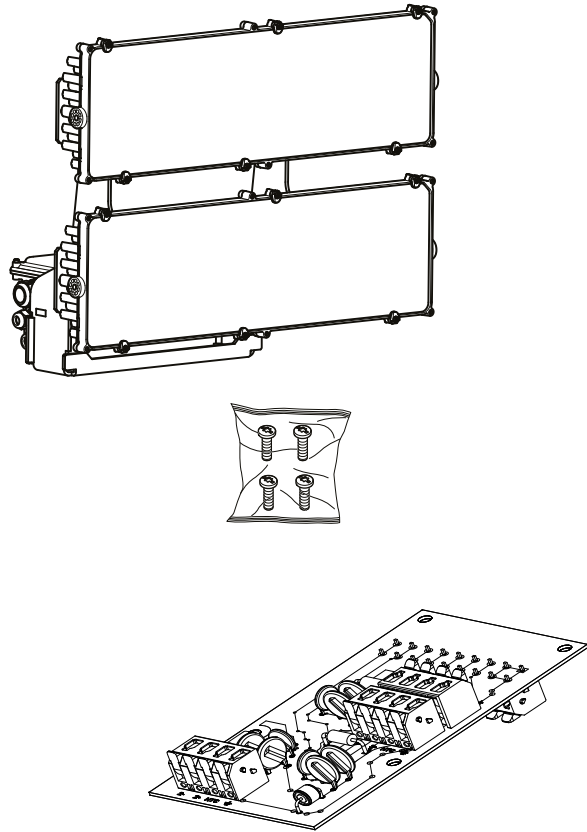
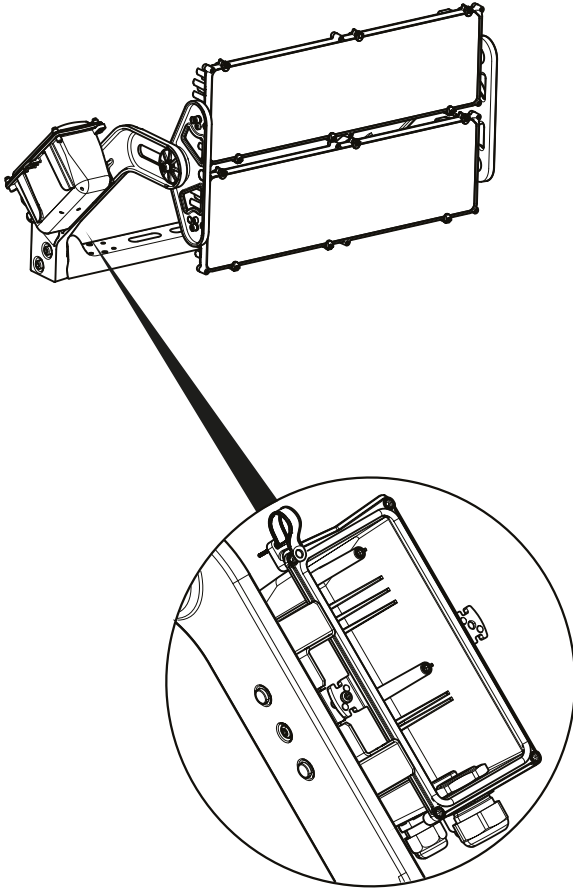
4



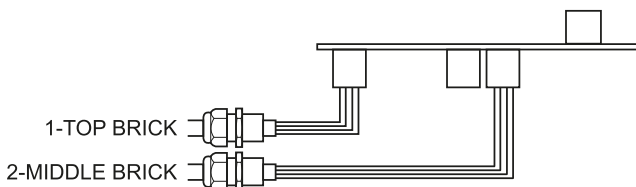
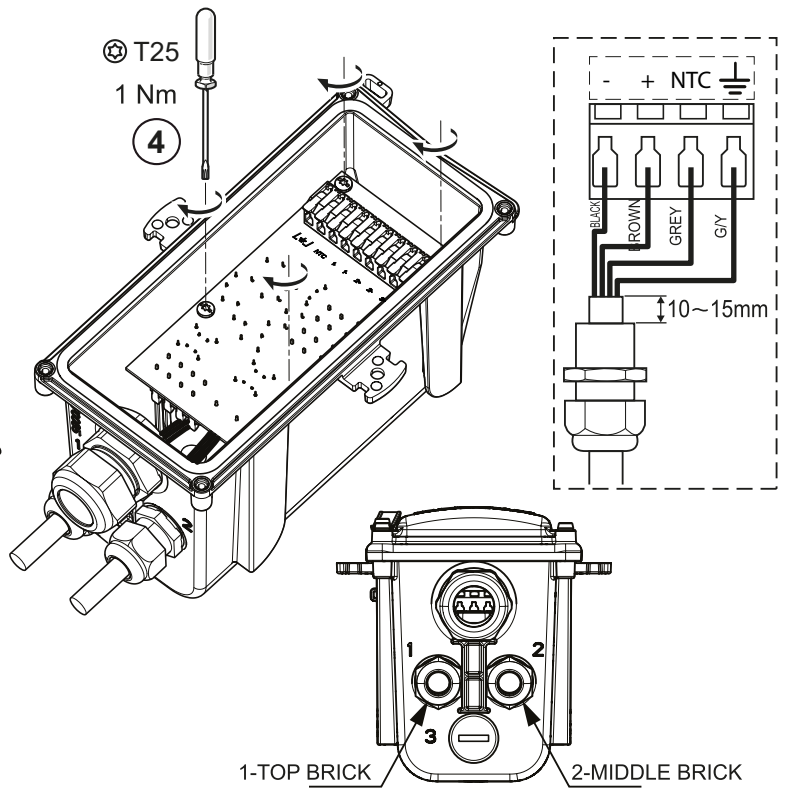
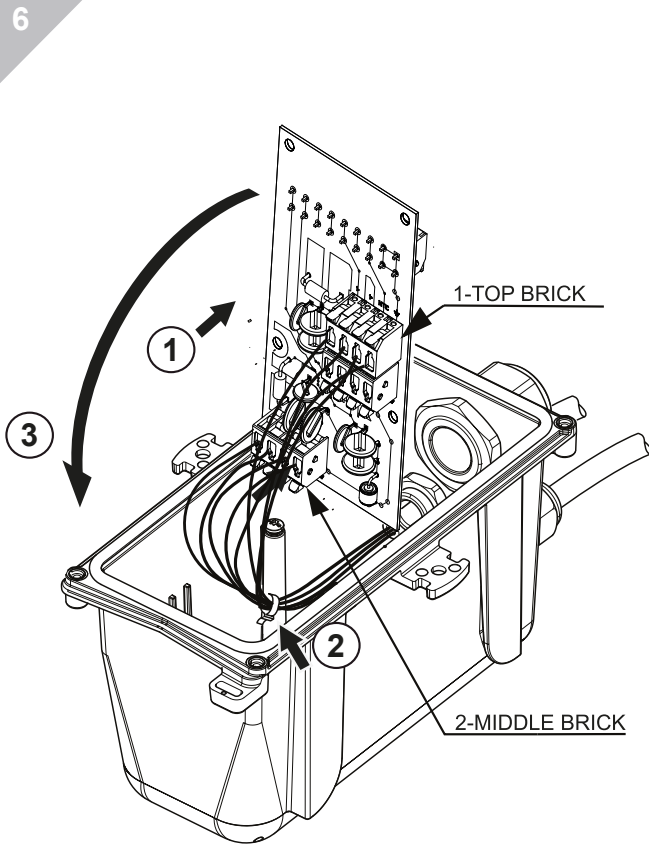
5

ALG4 288L

ALG4 288L (LB)

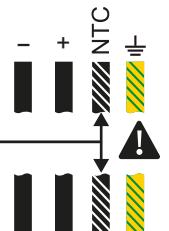


6



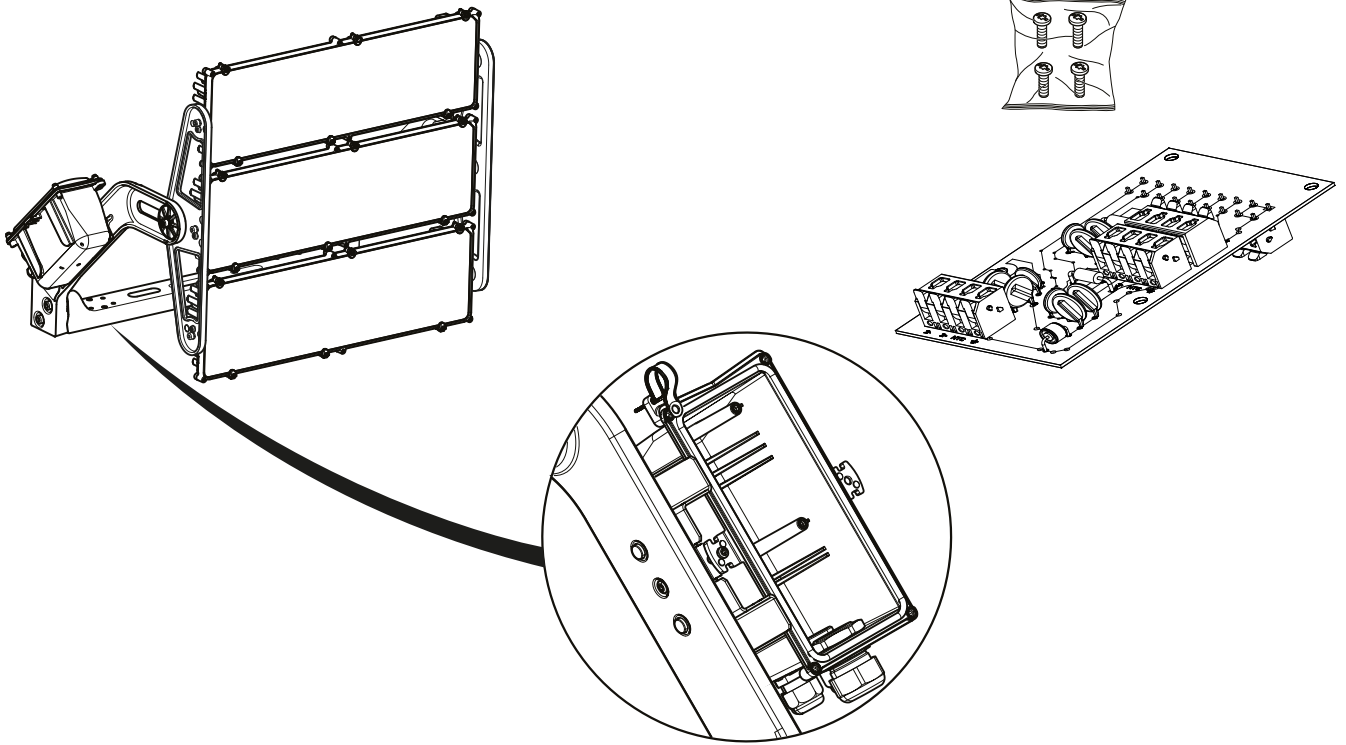
Extreme caution : Do not connect any LED CONNECTION wire (high voltage) inside NTC connector !! It could result in a critical failure and damage irreversibly the ALTIS luminaire

(7*) **Optional** : NTC connection (thermal monitoring).
Cable 9x cores or above is recommended (ex : H07 RN-F 9G1,5mm²)



7

ALG4 432L



8

1-TOP BRICK

3-BOTTOM BRICK

2-MIDDLE BRICK

⊕ T25
1 Nm

4

BLACK BROWN GREY GY

10~15mm

1-TOP BRICK

2-MIDDLE BRICK

3-BOTTOM BRICK

1-TOP BRICK

2-MIDDLE BRICK

3-BOTTOM BRICK

1-TOP BRICK

2-MIDDLE BRICK

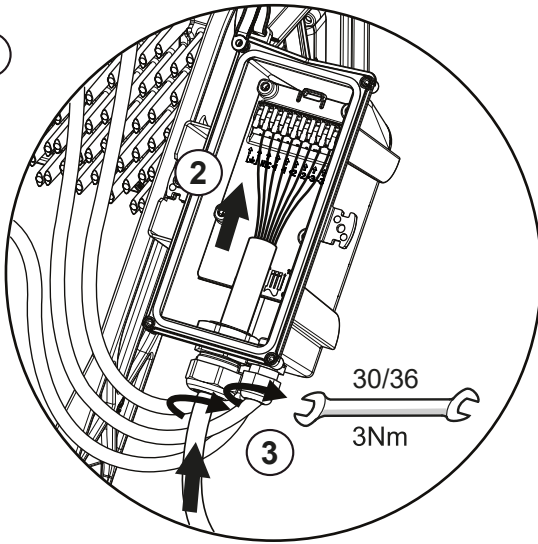
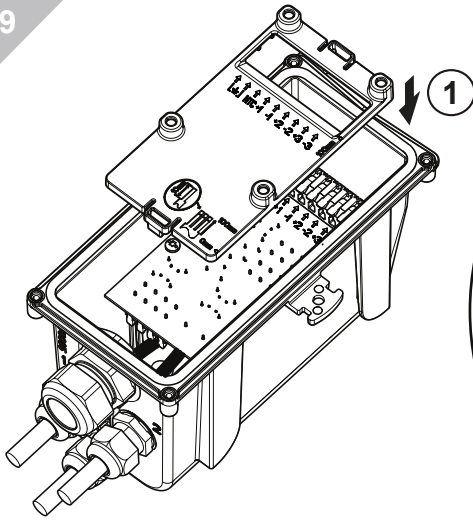
3-BOTTOM BRICK

Extreme caution : Do not connect any LED CONNECTION wire (high voltage) inside NTC connector !! It could result in a critical failure and damage irreversibly the ALTIS luminaire

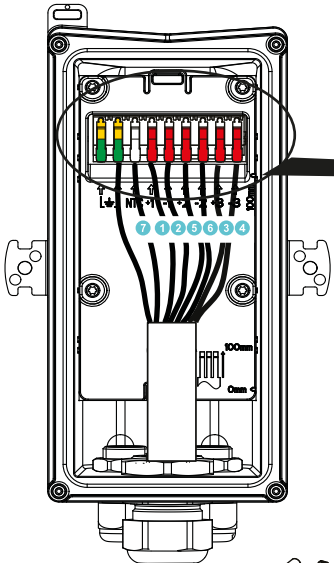
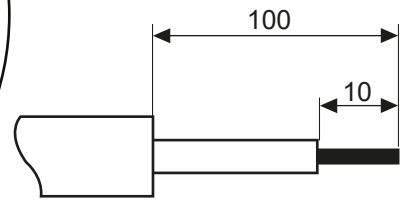
(7*) **Optional** : NTC connection (thermal monitoring).
Cable 9x cores or above is recommended (ex : H07 RN-F 9G1,5mm²)

- + NTC

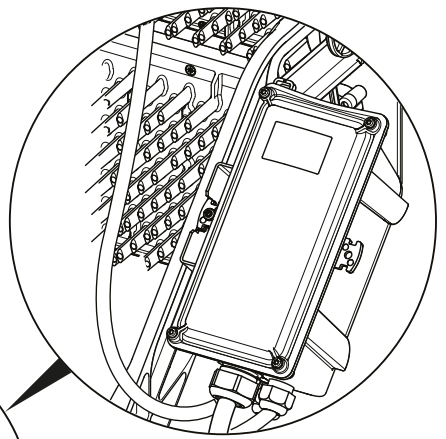
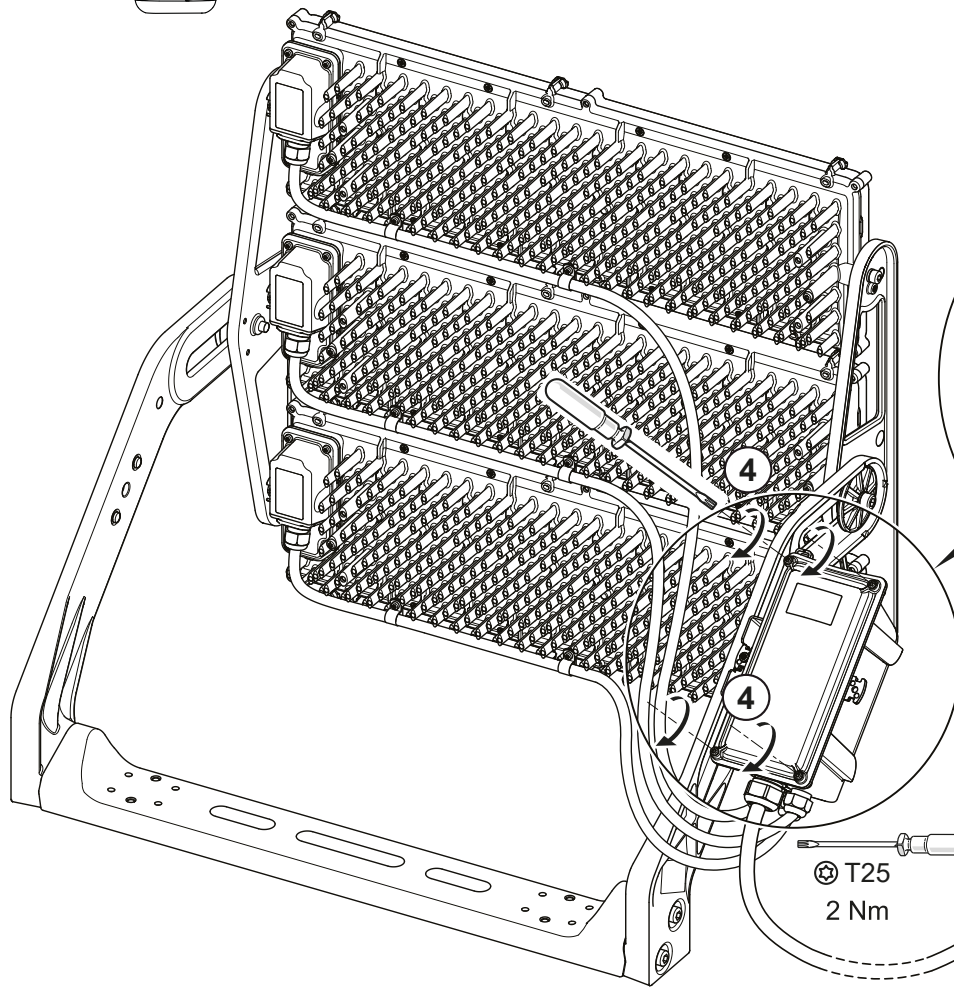
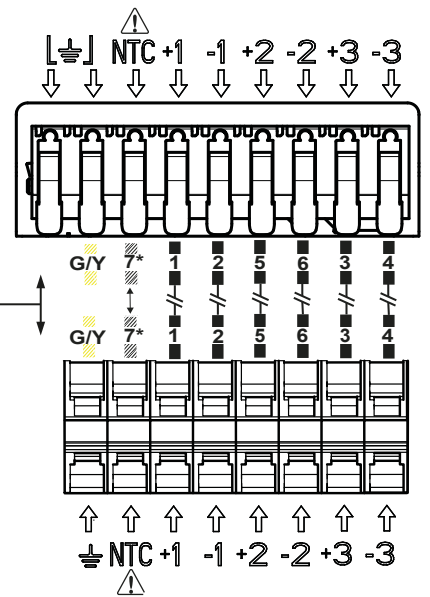
⊕



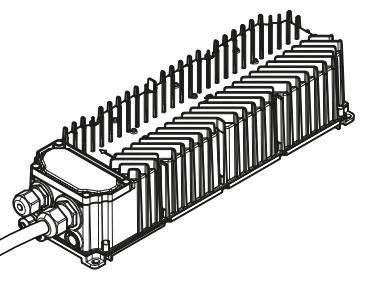
OK
 \varnothing min = 1,0 mm²
 \varnothing typ = 1,5 mm²
 \varnothing max = 2,5 mm²



Extreme caution : Do not connect any LED CONNECTION wire (high voltage) inside NTC connector !! It could result in a critical failure and damage irreversibly the ALTIS luminaire
 (7*) **Optionnal :** NTC connection (thermal monitoring).
 Cable 9x cores or above is recommended (ex : H07 RN-F 9G1,5mm²)



T25
 2 Nm

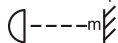


FRANCAIS

- Remplacer toute protection fissurée.
- Les luminaires classe II doivent être installés de façon à ce que la partie métallique ne soit pas en contact avec l'installation électrique connectée à la terre.

ATTENTION: Les luminaires classe I doivent être reliés à la terre.

- Ce luminaire fonctionne à une tension nominale qui doit être coupée avant toute intervention sur l'appareillage.
- Toute modification de cet appareil est interdite.
- Respecter la distance minimale par rapport aux objets éclairés définie par ce sigle.

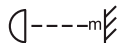


SVERIGE

- Ersätta alla spräckta skyddsplåtar.
- Klass II armaturer måste installeras så att nakna metalldelar i armaturen inte är i kontakt med någon elektrisk installation, kopplad till en skyddledare.

VARNING: Klass I armaturer måste vara jordade.

- Denna armatur fungerar med högspänning som måste vara fränslagen före ingripande i driftdonen.
- Alla ändringar i denna armatur är förbjuden.

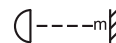


ITALIANO

- Sostituire sempre tutte le protezioni danneggiate.
- Gli apparecchi in classe II devono essere installati in modo che le parti metalliche non siano in contatto con apparati elettrici collegati a terra.

ATTENZIONE: Gli apparecchi in class I devono essere collegati a terra.

- Questo apparecchio funziona a tensione nominale, questa deve essere interrotta prima di ogni intervento sul gruppo di alimentazione.
- Ogni modifica dell' apparecchio è proibita.

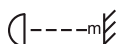


ENGLISH

- Replace any cracked protective shield.
- Class II luminaires must be installed so that exposed metal work of the luminaire is not in contact with any part of the electrical installation connected to a protective conductor.

WARNING: Class I luminaires must be earthed.

- This luminaire operates at mains voltage which must be switched off before intervention in control gear.
- Any modification to this luminaire is forbidden.
- Lighted objects nearer than the minimal distance in the is forbidden.

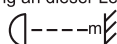


DEUTSCH

- Ersetze jede gebrochene Schutzscheibe.
- Schutzklasse II Leuchten müssen so installiert werden, daß berührbare Metallteile nicht mit einem, an dem Schutzleiter angeschlossenen Teil der elektrischen Installation in Kontakt kommen können.

ACHTUNG: Schutzklasse I Leuchten müssen geerdet sein.

- Diese Leuchte wird mit Netzspannung betrieben. Bevor Eingriffe am Vorschaltgerät vorgenommen werden sowie vor Wartung und Installation, ist die Versorgungsspannung abzuschalten.
- Jede Änderung an dieser Leuchte ist verboten.

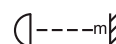


SUOMI

- Rikkoontunut suojalasi vaihdettava välittömästi uuteen vastaavaan.
- Asennettaessa suojausluokan II valaisinta on peruseristetyin johdon ja kosketeltavien metalliosien välinen kosketus tehokkaasti eristettävä.

VAROITUS: Suojausluokan I valaisin täytyy maadoittaa.

- Verkköjännite on kytkettävä pois ennen valaisimen huoltotoimenpiteitä.
- Valaisimen rakennetta ei saa muuttaa.



Thorn Lighting is constantly developing and improving its products. The right is reserved to change specifications without prior notification or public announcement.

© Thorn Lighting



- To ensure maintaining the best system performances, we advice to switch on the system "At least one night hour per month".
- corrosion environment from C1 to C5 according to standard ISO9223 except gear Box ALG4 GB LE 432L corrosion environment from C1 to C3