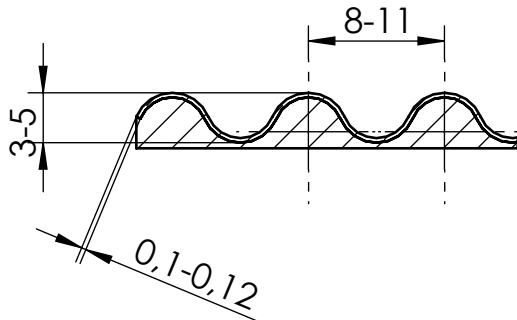
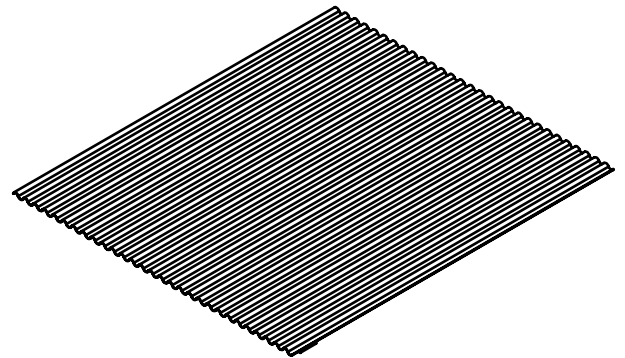


Detail X
2:1



Isometric



Pos.No.	Designation	Material	Quantity
1	SingleHook FLA sheet metal red solo	3.0205 (EN-AW-1200)	1
2	Butyl tape 1,5x15x260	Butylkautschuk, Polyisobutylen(PIB)	1



K2 Systems GmbH
Industriestr. 18
71272 Renningen
Germany
+49 7159 42059-0

Designation:

Data sheet
SingleHook FLA sheet metal red

Designed	Name E. Markou	Date 08.02.2023	Material: Aluminium/ Butly	Item no.:	2004282	A4
Approved	A. Soumpalas	15.03.2023	Surface: see table	Drawing no.:	02-164-02	All dimensions in mm
Last change	A. Soumpalas	24.05.2023	Weight: ca. 89.7 g/pc	Scale: 1:5		Sheet 1 of 1

This drawing is the sole property of K2 Systems GmbH. It is protected by copyright and may only be copied, reproduced or distributed to a third party with explicit permission!