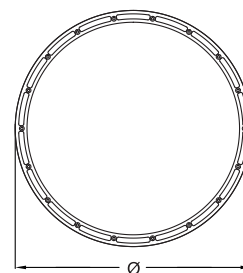
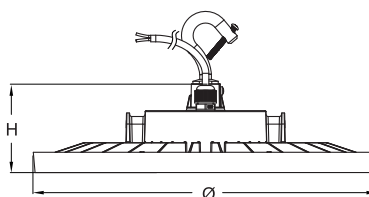
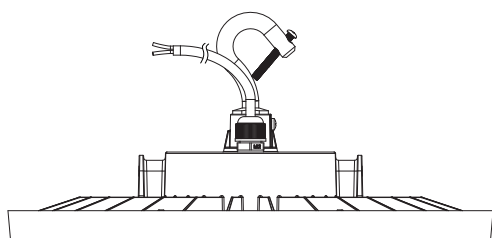


LED Highbay

OPPLE

Version date 2023-06
www.opple.com



Technical Specification

Product Code	Model	CCT	Weight (kg)	H(mm)	Φ(mm)
545001071500	HB-E3 70W	4000K	1.79	88	260
545001071600	HB-E3 70W	4000K	1.79	88	260
545001071700	HB-E3 70W	5700K	1.79	88	260
545001071800	HB-E3 70W	5700K	1.79	88	260
545001071900	HB-E3 110W	4000K	2.46	88	340
545001072000	HB-E3 110W	4000K	2.46	88	340
545001072100	HB-E3 110W	5700K	2.46	88	340
545001072200	HB-E3 110W	5700K	2.46	88	340
545001072300	HB-E3 140W	4000K	2.46	88	340
545001072400	HB-E3 140W	4000K	2.46	88	340
545001072500	HB-E3 140W	5700K	2.46	88	340
545001072600	HB-E3 140W	5700K	2.46	88	340
545001072700	HB-E3 180W	4000K	3.39	88	420
545001072800	HB-E3 180W	4000K	3.39	88	420
545001072900	HB-E3 180W	5700K	3.39	88	420
545001073000	HB-E3 180W	5700K	3.39	88	420
545001073100	HB-E3 220W	4000K	3.39	88	420
545001073200	HB-E3 220W	4000K	3.39	88	420
545001073300	HB-E3 220W	5700K	3.39	88	420
545001073400	HB-E3 220W	5700K	3.39	88	420

Light Source

Product Code	Product Description	N	Light Source Code	QR Code	Energy Label
545001071500	LEDHighbay-E3 70W-840-N	1	LS016007015		
545001071600	LEDHighbay-E3 70W-840-W				
545001071700	LEDHighbay-E3 70W-857-N	1	LS016007018		
545001071800	LEDHighbay-E3 70W-857-W				
545001071900	LEDHighbay-E3 110W-840-N	1	LS016011015		
545001072000	LEDHighbay-E3 110W-840-W				
545001072100	LEDHighbay-E3 110W-857-N	1	LS016011018		
545001072200	LEDHighbay-E3 110W-857-W				
545001072300	LEDHighbay-E3 140W-840-N	1	LS016014015		
545001072400	LEDHighbay-E3 140W-840-W				
545001072500	LEDHighbay-E3 140W-857-N	1	LS016014018		
545001072600	LEDHighbay-E3 140W-857-W				
545001072700	LEDHighbay-E3 180W-840-N	1	LS016018015		
545001072800	LEDHighbay-E3 180W-840-W				
545001072900	LEDHighbay-E3 180W-857-N	1	LS016018018		
545001073000	LEDHighbay-E3 180W-857-W				
545001073100	LEDHighbay-E3 220W-840-N	1	LS016022015		
545001073200	LEDHighbay-E3 220W-840-W				
545001073300	LEDHighbay-E3 220W-857-N	1	LS016022018		
545001073400	LEDHighbay-E3 220W-857-W				

* This product contains a light source of energy efficiency class (C).

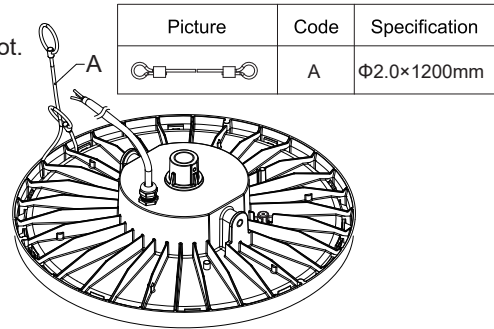
Installation

Safety wire installation:

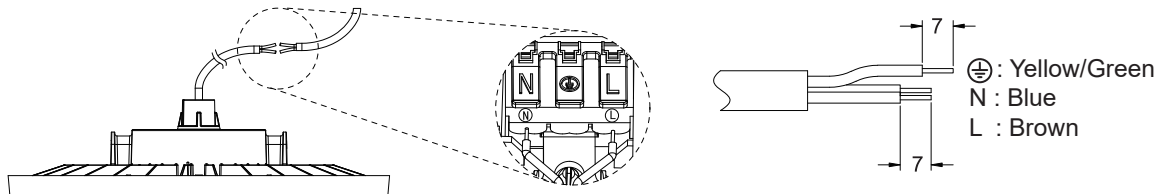
Pass safety wire through the hollow area of the luminaire, then tie the knot. Install the other end of safety wire on the ceiling or fixed hook. Make sure the safety wire is tighten.



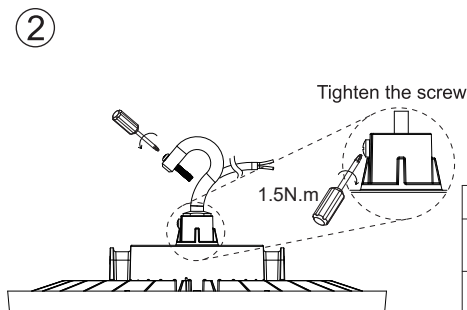
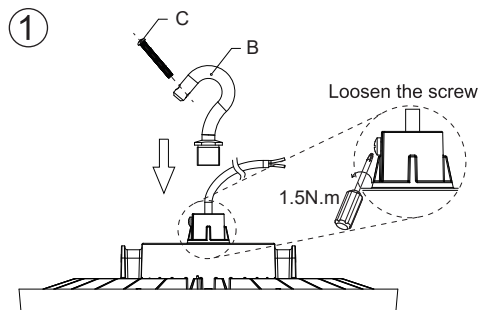
Warning: always take your responsibility to install the additional safety wire to ensure proper protection of your installation.



Additional IP66 waterproof connection box (NOT included in packaging, Installation must be performed by a qualified person) is necessary for power connection to ensure the waterproof performance and safety. The connection box and terminal block in it should conform to IEC 60998-2-1 or IEC 60998-2-2 (Purchase Separately). The terminal should be adapted to 0.75-1.5mm² wire.

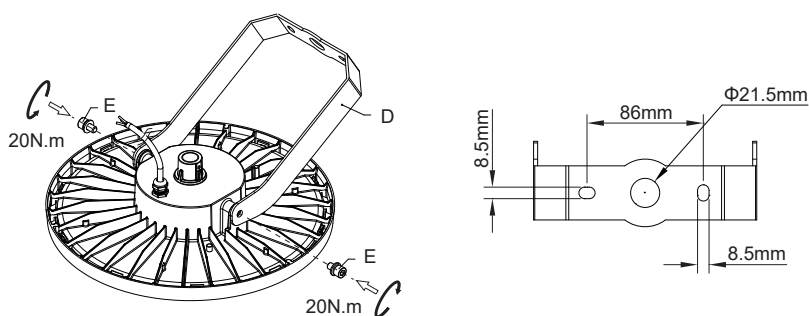


Hook



Picture	Code	Specification
	B	Rp1/2-14
	C	M6×40

Bracket (Available as accessory)

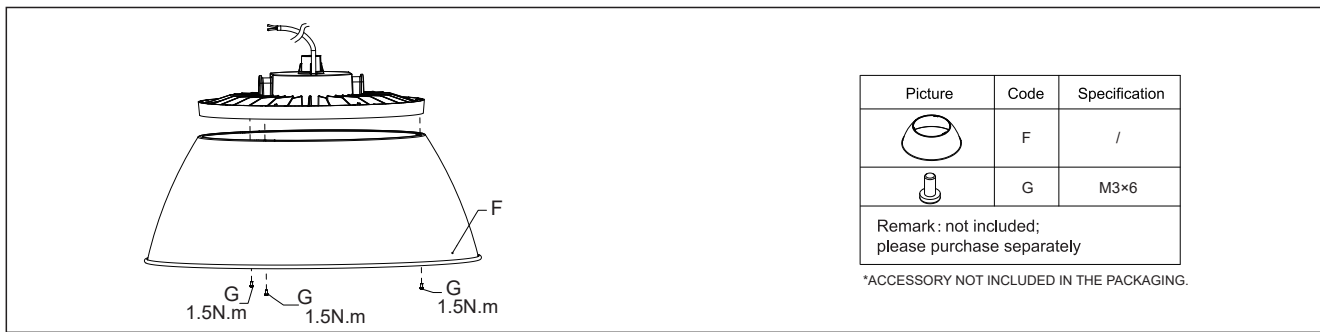


Picture	Code	Specification
	D	/
	E	M8

Remark: not included;
please purchase separately

*ACCESSORY NOT INCLUDED IN THE PACKAGING.

Reflector (Available as accessory)



The product support various applications such as factory, mall, warehouse etc. Not for rough service.

Input Voltage: 220-240V~ 50/60Hz

Caution: Any operation is forbidden while power is on.

To reduce the risk of strangulation the flexible wiring connected to this luminaire shall be effectively fixed to the wall if the wiring is within arm's reach.

The light source of this luminaire is not replaceable; when the light source reaches it's end of life the whole luminaire shall be replaced.



The external flexible cable or cord of this luminaire cannot be replaced; if the cord is damaged, the luminaire shall be destroyed.



For use in environments where normal non-conductive/conductive dust accumulation may be expected, not for use in environments with expected high/unusual dust accumulation.

