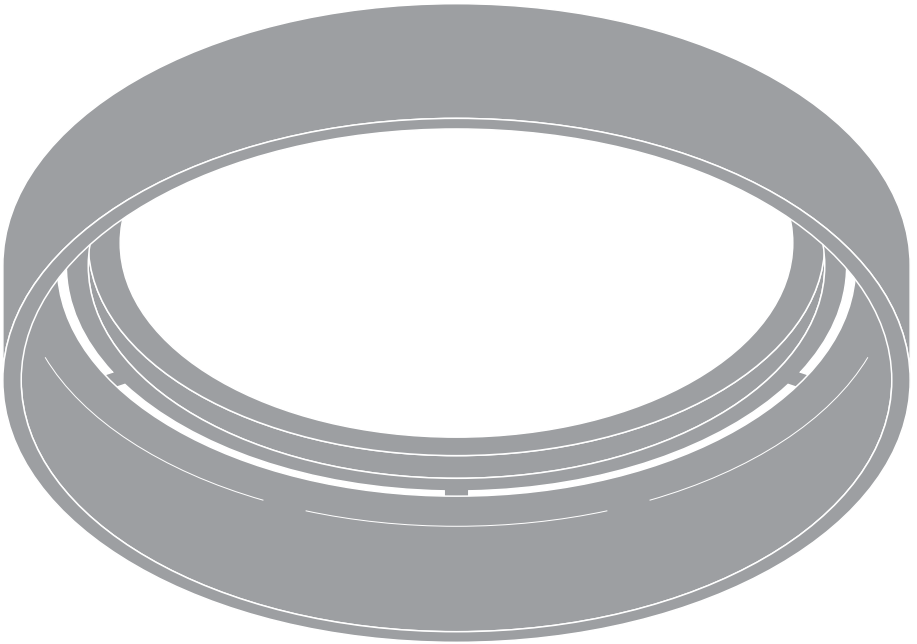



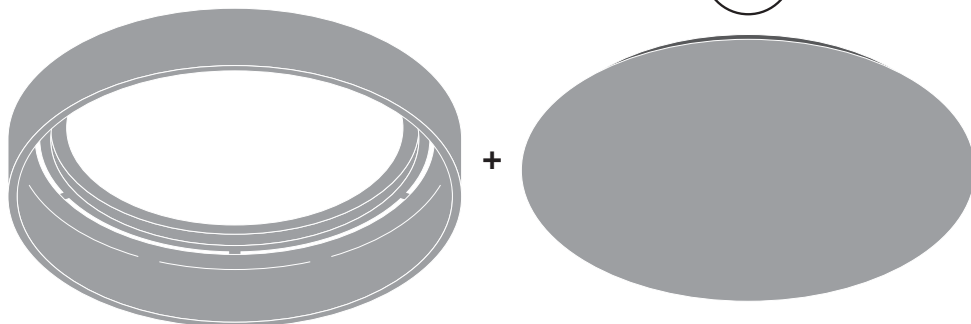
---

## SURFACE CIRCULAR 500 FRAME

---



	EAN	Ø x h [mm]	
SF CIRCULAR 500 FRAME WT	4058075834187	560 x 105	1.7 kg
SF CIRCULAR 500 FRAME BK	4058075834200	560 x 105	1.7 kg



	EAN		EAN	Ø x h [mm]	IP	lm	EM lm	👤		
<b>SF CIRCULAR 500 FRAME WT</b>	4058075834187	+	SF CIRC 500 V 42W 830 IP44 PS	4099854042119	=	560 x 105	20	*	500	2.9kg
			SF CIRC 500 V 42W 840 IP44 PS	4099854042133						
			SF CIRC 500 SEN V 42W 830 IP44 PS	4099854042157						
			SF CIRC 500 SEN V 42W 840 IP44 PS	4099854042171						
			SF CIRC 500 V 42W 830 IP44 DALI	4099854077890						
			SF CIRC 500 V 42W 840 IP44 DALI	4099854077913						
<b>SF CIRCULAR 500 FRAME BK</b>	4058075834200	+	SF CIRC 500 V 42W 830 IP44 PS	4099854042119	=	560 x 105	20	**	500	2.9kg
			SF CIRC 500 V 42W 840 IP44 PS	4099854042133						
			SF CIRC 500 SEN V 42W 830 IP44 PS	4099854042157						
			SF CIRC 500 SEN V 42W 840 IP44 PS	4099854042171						
			SF CIRC 500 V 42W 830 IP44 DALI	4099854077890						
			SF CIRC 500 V 42W 840 IP44 DALI	4099854077913						




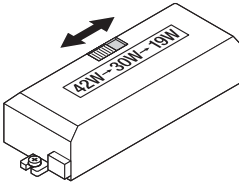
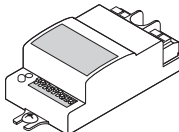
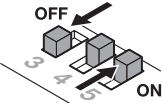

\* 

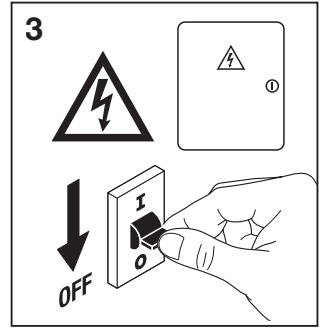
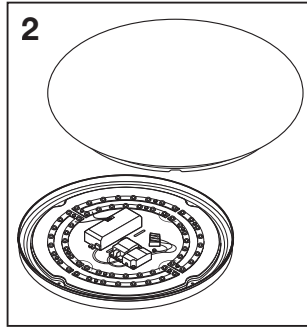
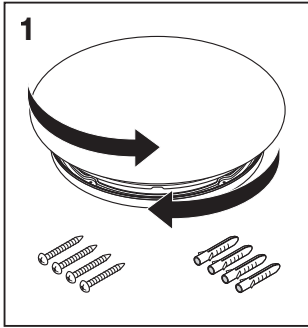
<b>WAC</b>	42W	30W	19W
<b>lm</b>	3300lm	2350lm	1400lm

\*\* 

<b>WAC</b>	42W	30W	19W
<b>lm</b>	3000lm	2150lm	1300lm

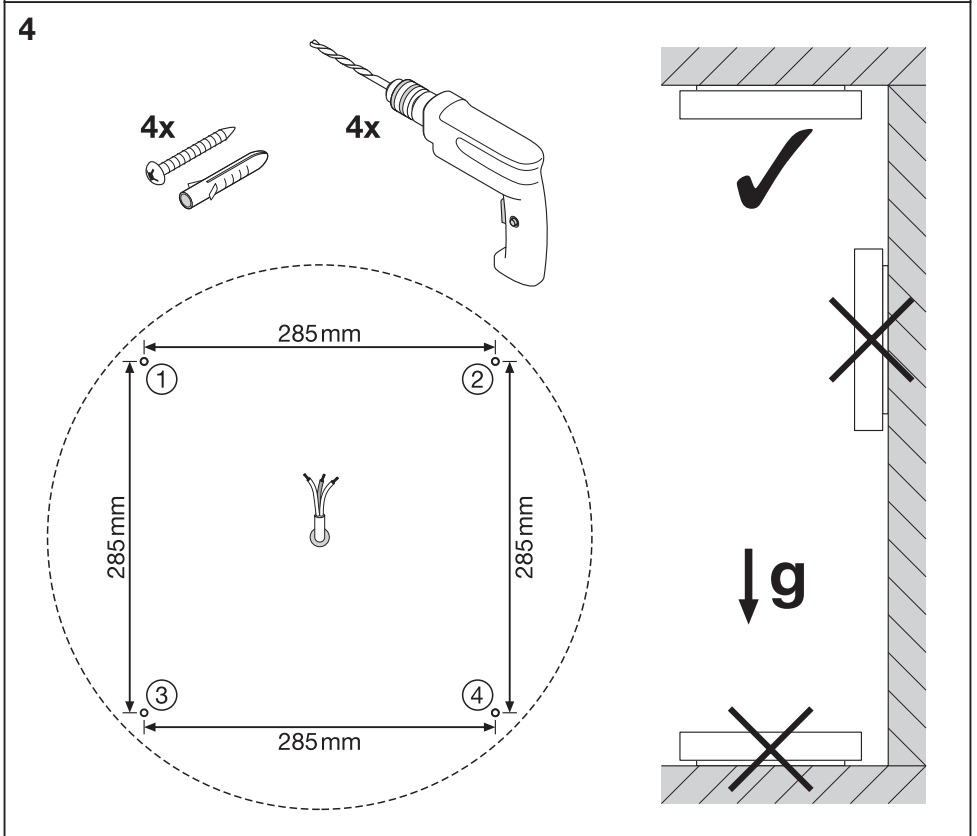


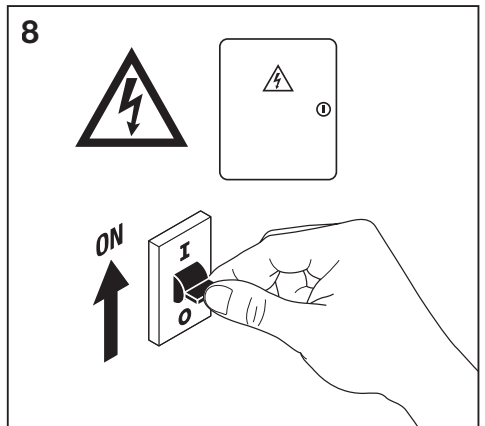
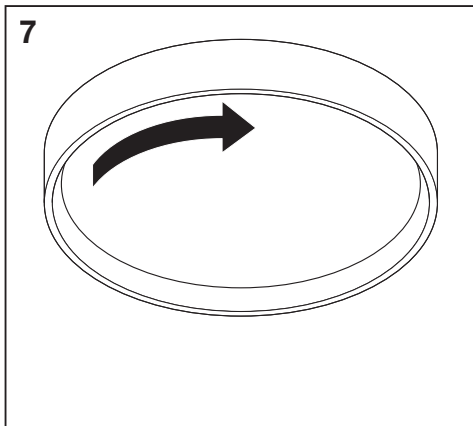
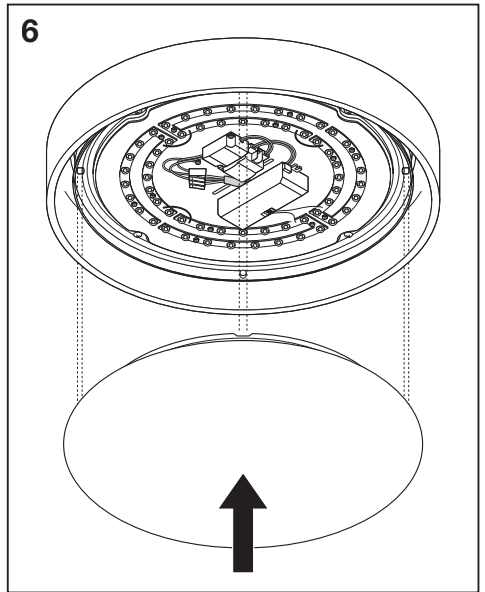
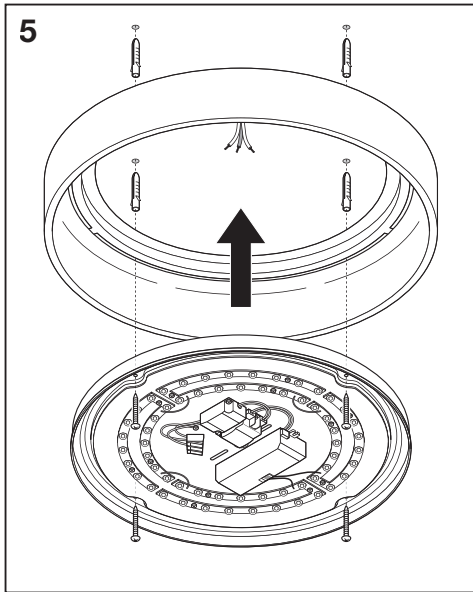
<p><b>SF CIRC 500</b></p>  <p><b>PS</b></p>  <p>N ⊕ L</p> <p><b>DALI</b></p>  <p>N L ⊕ DA DA -L -N</p>	<p><b>WAC</b></p> 	<p><b>SF CIRC 500 SEN (Sensor)</b></p>  <p>OFF</p>  <p>ON</p>  <p>1 2 3 4 5 6 7 8 9</p>
---	---	--



**SURFACE CIRCULAR + SURFACE CIRCULAR FRAME**

~~IP44~~ → IP20





C10449057  
G11172267  
28.06.23



LEDVANCE GmbH  
Steinerne Furt 62  
86167 Augsburg, Germany  
[www.ledvance.com](http://www.ledvance.com)

© LEDVANCE Ltd, Aquila House  
Delta Crescent, Westbrook, Warrington  
WA5 7NR, United Kingdom