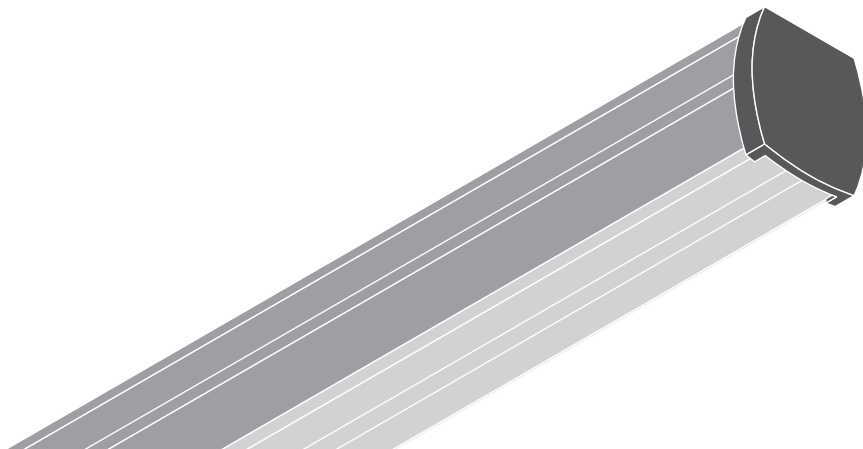
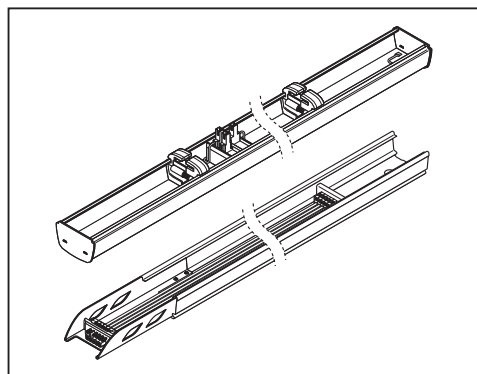

TruSys® FLEX TRUNKING SYSTEM ON/OFF



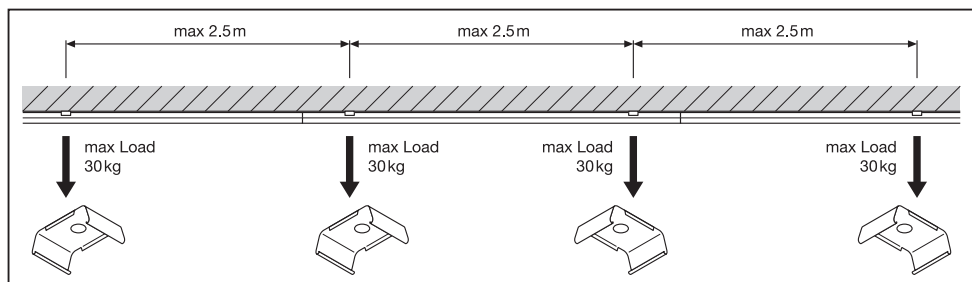
	EAN	l x w x h [mm]	W	V _{AC}	Hz	lm	lm/W
TRUSYS FLEX P 35W 865 VW CL WT	4099854190490	1500x77.7x39.4	35	220-240 V	50/60 Hz	6000	175
TRUSYS FLEX P 35W 865 W CL WT	4099854190513	1500x77.7x39.4	35	220-240 V	50/60 Hz	6000	175
TRUSYS FLEX P 35W 865 N CL WT	4099854190537	1500x77.7x39.4	35	220-240 V	50/60 Hz	6000	175
TRUSYS FLEX P 35W 865 VN CL WT	4099854190551	1500x77.7x39.4	35	220-240 V	50/60 Hz	6000	175
TRUSYS FLEX P 35W 865 DS CL WT	4099854190575	1500x77.7x39.4	35	220-240 V	50/60 Hz	6000	175
TRUSYS FLEX P 35W 865 W OP WT	4099854190599	1500x77.7x39.4	35	220-240 V	50/60 Hz	5800	175
TRUSYS FLEX P 35W 865 WW CL WT	4099854190612	1500x77.7x39.4	35	220-240 V	50/60 Hz	6000	175
TRUSYS FLEX P 50W 865 VW CL WT	4099854190650	1500x77.7x39.4	50	220-240 V	50/60 Hz	8600	175
TRUSYS FLEX P 50W 865 W CL WT	4099854190674	1500x77.7x39.4	50	220-240 V	50/60 Hz	8600	175
TRUSYS FLEX P 50W 865 N CL WT	4099854190698	1500x77.7x39.4	50	220-240 V	50/60 Hz	8600	175
TRUSYS FLEX P 50W 865 VN CL WT	4099854190711	1500x77.7x39.4	50	220-240 V	50/60 Hz	8600	175
TRUSYS FLEX P 50W 865 DS CL WT	4099854190735	1500x77.7x39.4	50	220-240 V	50/60 Hz	8600	175
TRUSYS FLEX P 50W 865 W OP WT	4099854190759	1500x77.7x39.4	50	220-240 V	50/60 Hz	8300	175
TRUSYS FLEX P 50W 865 WW CL WT	4099854190773	1500x77.7x39.4	50	220-240 V	50/60 Hz	8600	175
TRUSYS FLEX P 70W 865 VW CL WT	4099854190810	1500x77.7x39.4	70	220-240 V	50/60 Hz	12100	175
TRUSYS FLEX P 70W 865 W CL WT	4099854190834	1500x77.7x39.4	70	220-240 V	50/60 Hz	12100	175
TRUSYS FLEX P 70W 865 N CL WT	4099854190858	1500x77.7x39.4	70	220-240 V	50/60 Hz	12100	175
TRUSYS FLEX P 70W 865 VN CL WT	4099854190872	1500x77.7x39.4	70	220-240 V	50/60 Hz	12100	175
TRUSYS FLEX P 70W 865 DS CL WT	4099854190896	1500x77.7x39.4	70	220-240 V	50/60 Hz	12100	175
TRUSYS FLEX P 70W 865 W OP WT	4099854190919	1500x77.7x39.4	70	220-240 V	50/60 Hz	11700	175
TRUSYS FLEX P 70W 865 WW CL WT	4099854190933	1500x77.7x39.4	70	220-240 V	50/60 Hz	12100	175
TRUSYS FLEX P RAIL 1500 5P WT	4058075781672	1650x70.2x38.8	-	-	-	-	-
TRUSYS FLEX P RAIL 1500 5P END WT	4058075781733	1500x70.2x38.8	-	-	-	-	-
TRUSYS FLEX P RAIL 3000 5P WT	4058075781757	3150x70.2x38.8	-	-	-	-	-
TRUSYS FLEX P RAIL 4500 5P WT	4058075793156	4650x70.2x38.8	-	-	-	-	-

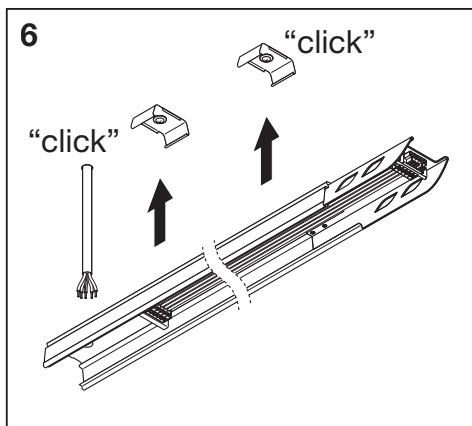
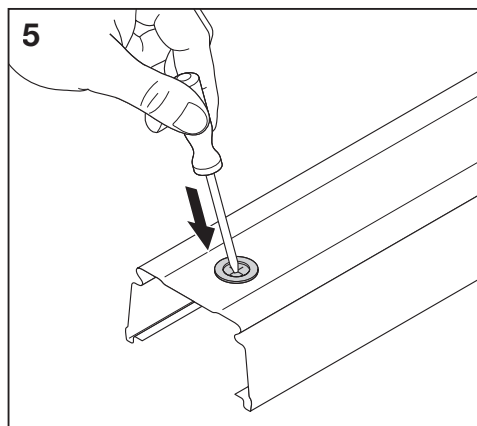
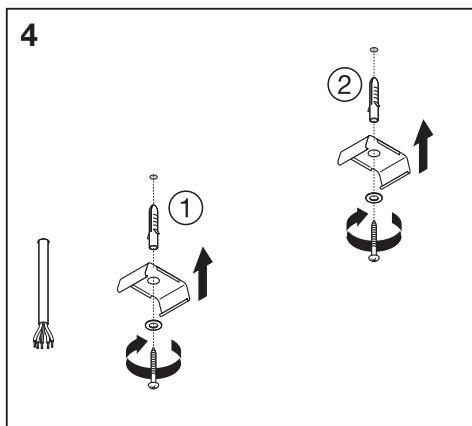
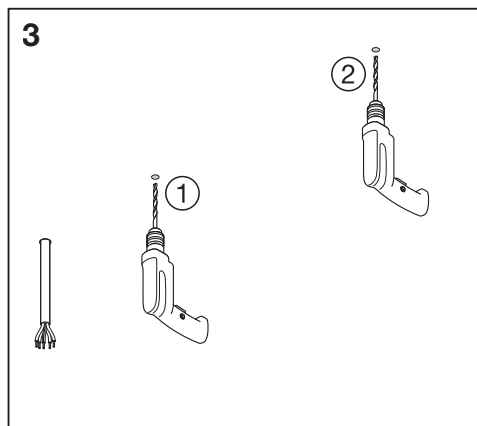
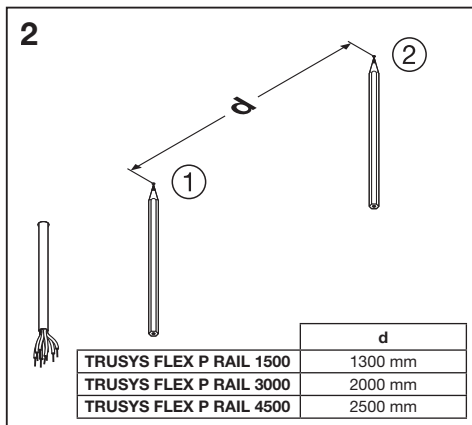
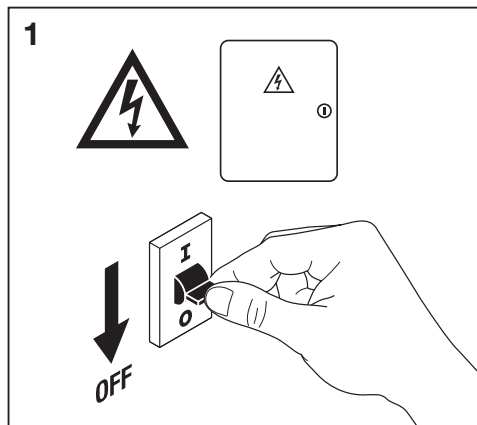
	EAN	K	IP	IK	∠	R _a	Δ (°C)	PF	⊙	👤
TRUSYS FLEX P 35W 865 VW CL WT	4099854190490	6500	40	04	120°	≥ 80	-25...+40	≥0.95	–	1.7 kg
TRUSYS FLEX P 35W 865 W CL WT	4099854190513	6500	40	04	90°	≥ 80	-25...+40	≥0.95	–	1.7 kg
TRUSYS FLEX P 35W 865 N CL WT	4099854190537	6500	40	04	60°	≥ 80	-25...+40	≥0.95	–	1.7 kg
TRUSYS FLEX P 35W 865 VN CL WT	4099854190551	6500	40	04	30°	≥ 80	-25...+40	≥0.95	–	1.7 kg
TRUSYS FLEX P 35W 865 DS CL WT	4099854190575	6500	40	04	2 x 30°	≥ 80	-25...+40	≥0.95	–	1.7 kg
TRUSYS FLEX P 35W 865 W OP WT	4099854190599	6500	40	04	90°	≥ 80	-25...+40	≥0.95	–	1.7 kg
TRUSYS FLEX P 35W 865 WW CL WT	4099854190612	6500	40	04	40°	≥ 80	-25...+40	≥0.95	–	1.7 kg
TRUSYS FLEX P 50W 865 VW CL WT	4099854190650	6500	40	04	120°	≥ 80	-25...+40	≥0.95	–	1.7 kg
TRUSYS FLEX P 50W 865 W CL WT	4099854190674	6500	40	04	90°	≥ 80	-25...+40	≥0.95	–	1.7 kg
TRUSYS FLEX P 50W 865 N CL WT	4099854190698	6500	40	04	60°	≥ 80	-25...+40	≥0.95	–	1.7 kg
TRUSYS FLEX P 50W 865 VN CL WT	4099854190711	6500	40	04	30°	≥ 80	-25...+40	≥0.95	–	1.7 kg
TRUSYS FLEX P 50W 865 DS CL WT	4099854190735	6500	40	04	2 x 30°	≥ 80	-25...+40	≥0.95	–	1.7 kg
TRUSYS FLEX P 50W 865 W OP WT	4099854190759	6500	40	04	90°	≥ 80	-25...+40	≥0.95	–	1.7 kg
TRUSYS FLEX P 50W 865 WW CL WT	4099854190773	6500	40	04	40°	≥ 80	-25...+40	≥0.95	–	1.7 kg
TRUSYS FLEX P 70W 865 VW CL WT	4099854190810	6500	40	04	120°	≥ 80	-25...+40	≥0.95	–	1.7 kg
TRUSYS FLEX P 70W 865 W CL WT	4099854190834	6500	40	04	90°	≥ 80	-25...+40	≥0.95	–	1.7 kg
TRUSYS FLEX P 70W 865 N CL WT	4099854190858	6500	40	04	60°	≥ 80	-25...+40	≥0.95	–	1.7 kg
TRUSYS FLEX P 70W 865 VN CL WT	4099854190872	6500	40	04	30°	≥ 80	-25...+40	≥0.95	–	1.7 kg
TRUSYS FLEX P 70W 865 DS CL WT	4099854190896	6500	40	04	2 x 30°	≥ 80	-25...+40	≥0.95	–	1.7 kg
TRUSYS FLEX P 70W 865 W OP WT	4099854190919	6500	40	04	90°	≥ 80	-25...+40	≥0.95	–	1.7 kg
TRUSYS FLEX P 70W 865 WW CL WT	4099854190933	6500	40	04	40°	≥ 80	-25...+40	≥0.95	–	1.7 kg
TRUSYS FLEX P RAIL 1500 5P WT	4058075781672	–	–	04	–	–	–	–	–	1.6 kg
TRUSYS FLEX P RAIL 1500 5P END WT	4058075781733	–	–	04	–	–	–	–	–	1.4 kg
TRUSYS FLEX P RAIL 3000 5P WT	4058075781757	–	–	04	–	–	–	–	–	3.0 kg
TRUSYS FLEX P RAIL 4500 5P WT	4058075793156	–	–	04	–	–	–	–	–	4.2 kg



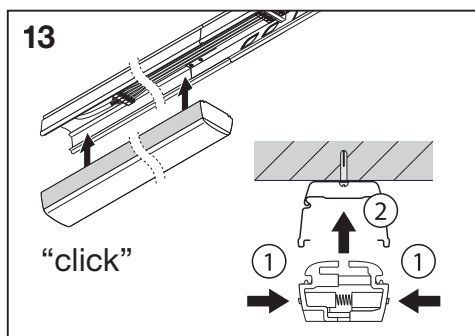
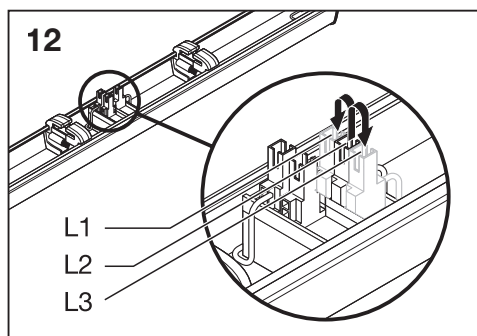
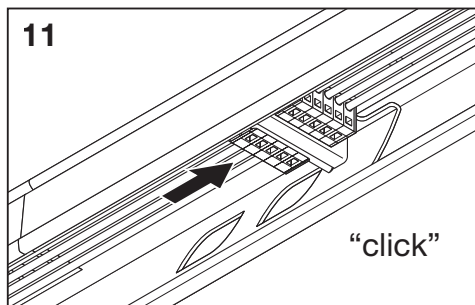
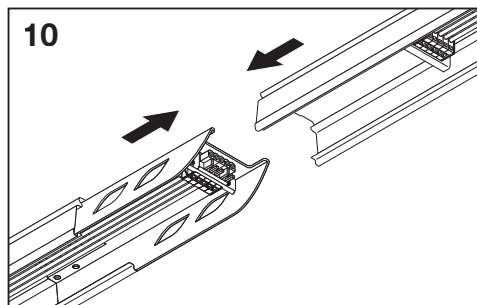
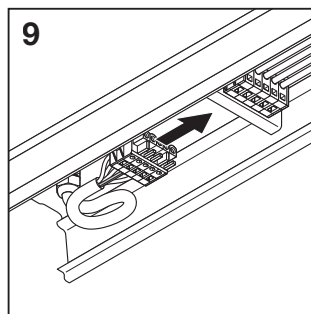
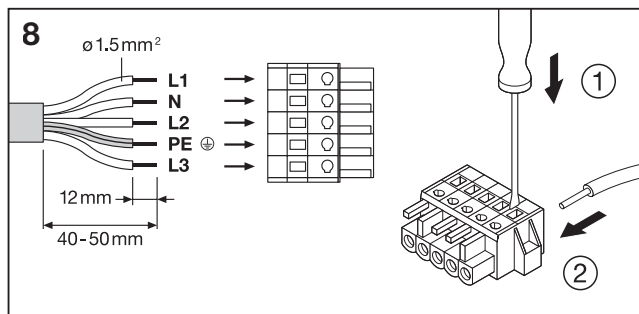
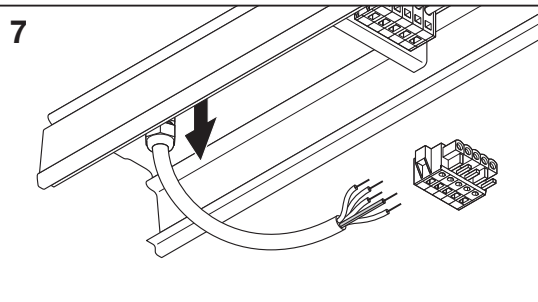
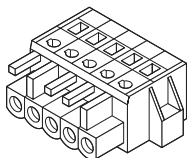
**TRUSYS FLEX
SURFACE CLIP**
EAN 4058075781894

2x

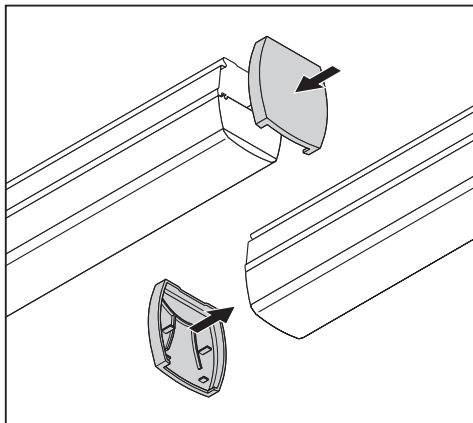
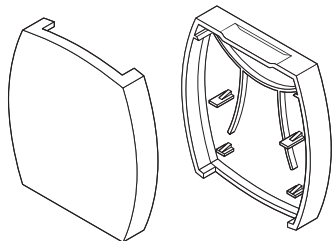




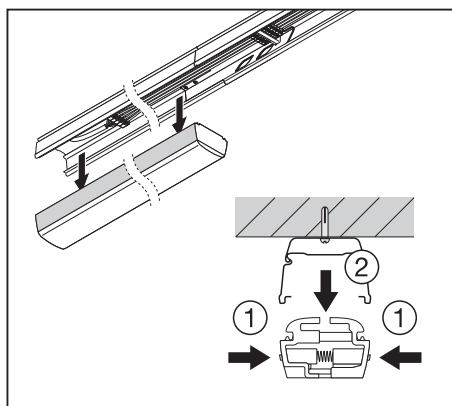
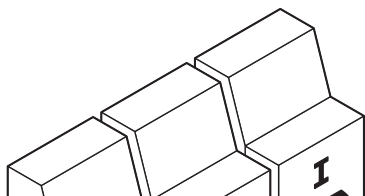
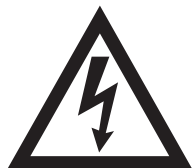
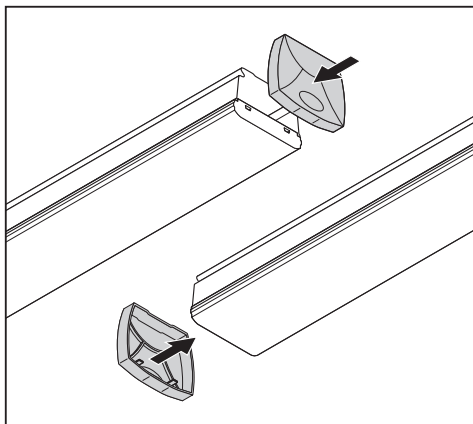
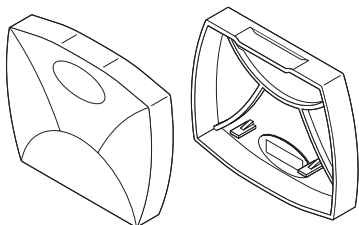
TRUSYS FLEX FEED IN 5P
EAN 4058075781931



TRUSYS FLEX
END CAP RAIL WT
EAN 4058075781856

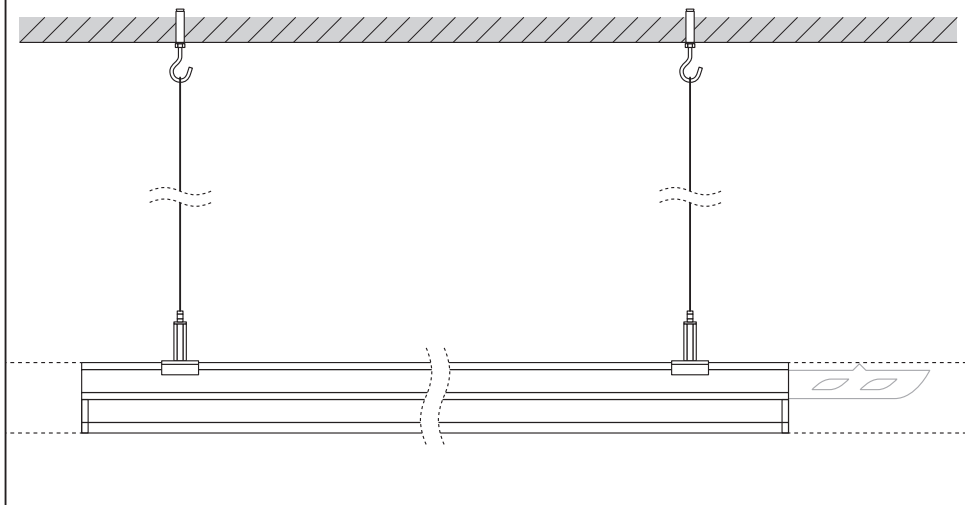
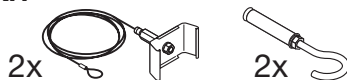


TRUSYS FLEX
END CAP LOW RAIL WT
EAN 4058075781870



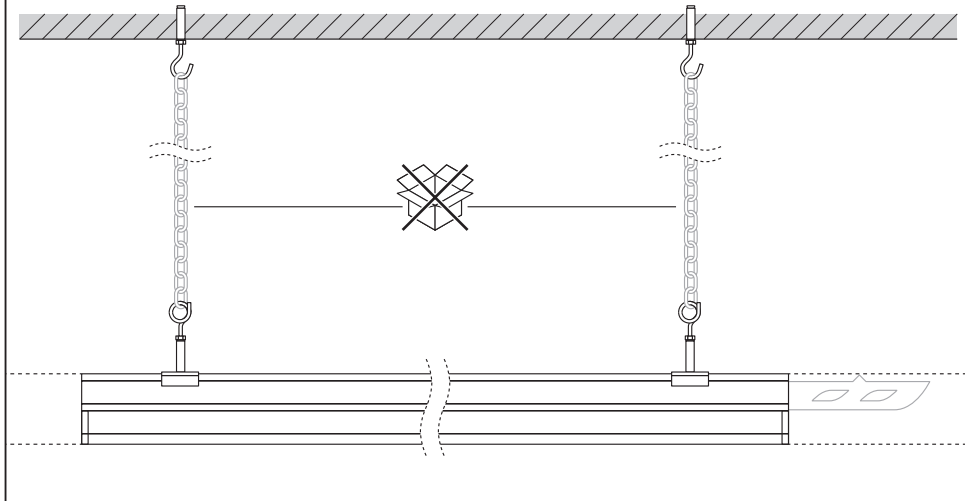
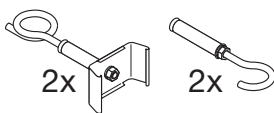
TRUSYS FLEX SUSPENSION KIT

EAN 4058075781795



TRUSYS FLEX CHAIN KIT

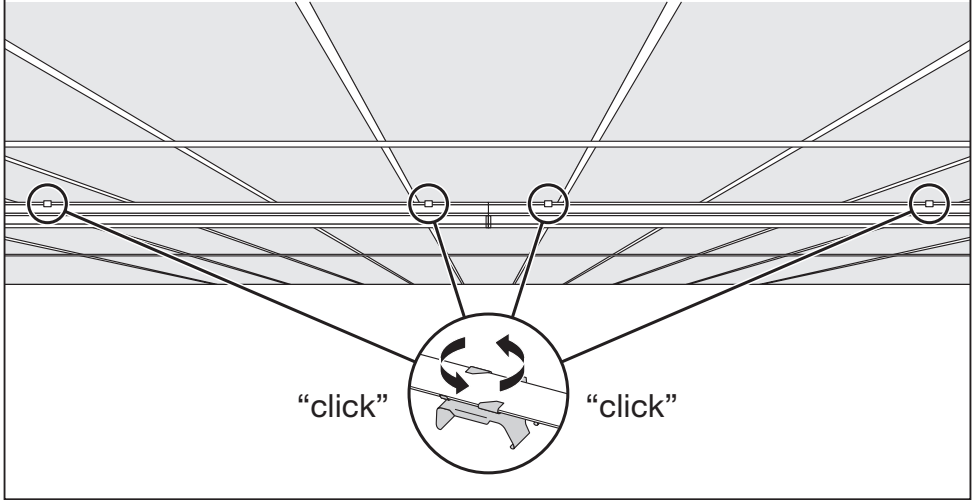
EAN 4058075781818



TRUSYS FLEX GRID CEILING CLIP

EAN 4058075781917

2x

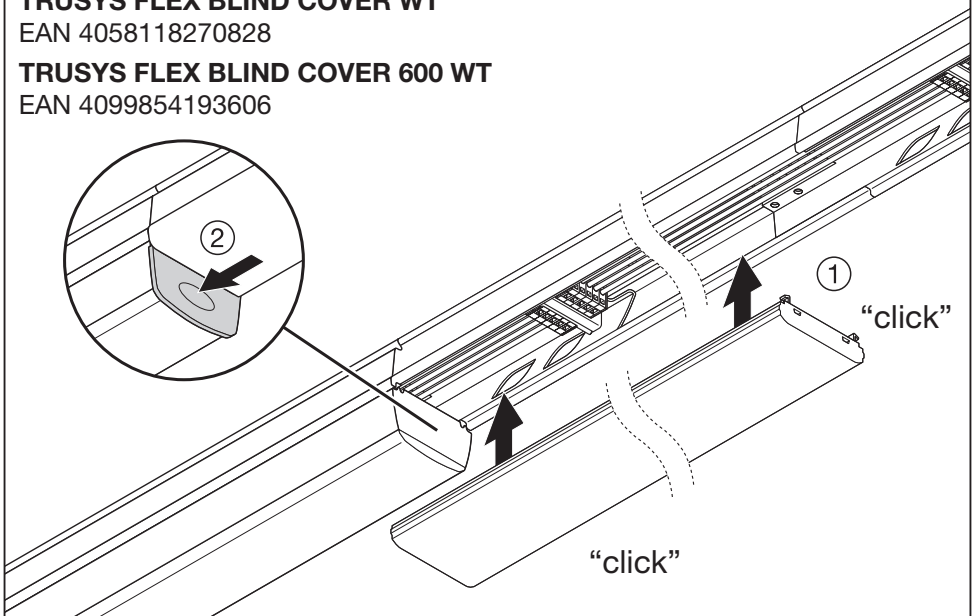


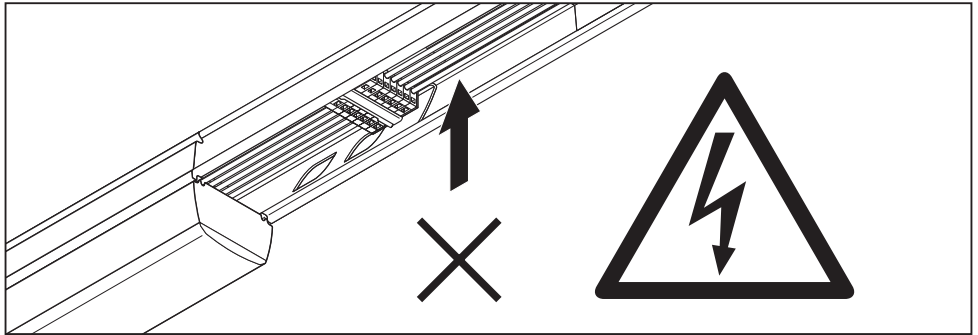
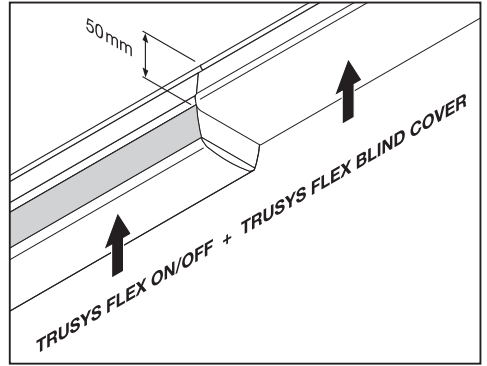
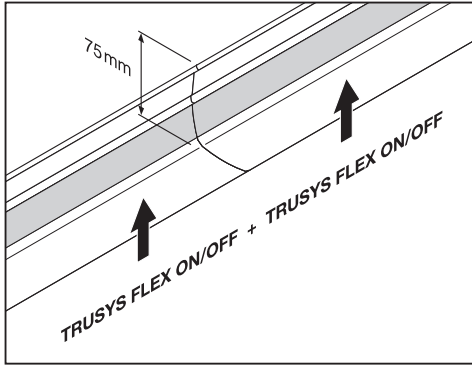
TRUSYS FLEX BLIND COVER WT

EAN 4058118270828

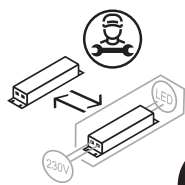
TRUSYS FLEX BLIND COVER 600 WT

EAN 4099854193606





	2x TRUSYS FLEX P RAIL		...	nx TRUSYS FLEX P RAIL	1x TRUSYS FLEX P RAIL END	
	C10 A	B16 A		C16 A	Inrush current	Inrush Charge Time
TRUSYS FLEX 35W 865	17	22		27	27.5 A	148 μs
TRUSYS FLEX 50W 865	10	13		17	32 A	182 μs
TRUSYS FLEX 70W 865	7	8		12	38.8 A	230 μs



LEDVANCE GmbH
Steinerne Furt 62
86167 Augsburg, Germany
www.ledvance.com



FR
Cet appareil et ses accessoires se recyclent

À DÉPOSER EN MAGASIN

À DÉPOSER EN DÉCHÈTERIE

OU

C10449058
G11173996
24.07.23

© LEDVANCE Ltd, Aquila House
Delta Crescent, Westbrook, Warrington
WA5 7NR, United Kingdom

Points de collecte sur www.quefairemesdechets.fr