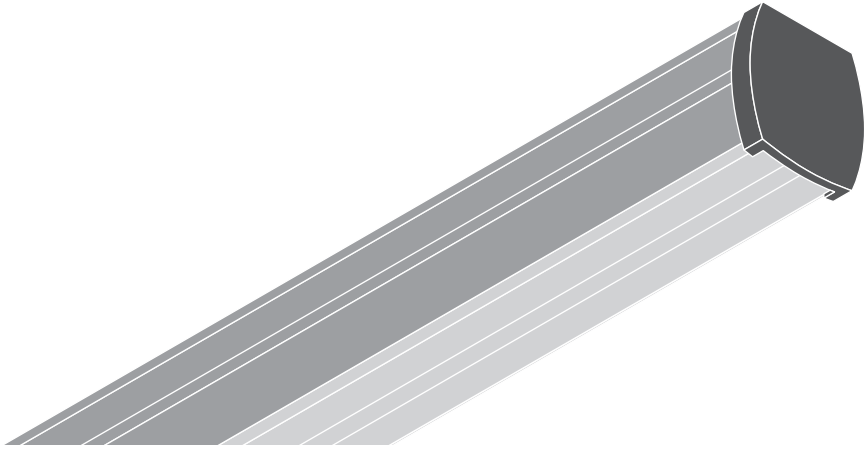
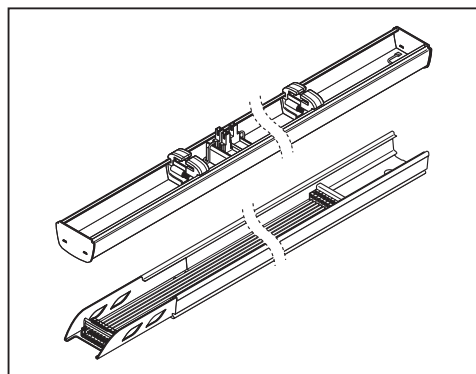

TruSys® FLEX TRUNKING SYSTEM DALI



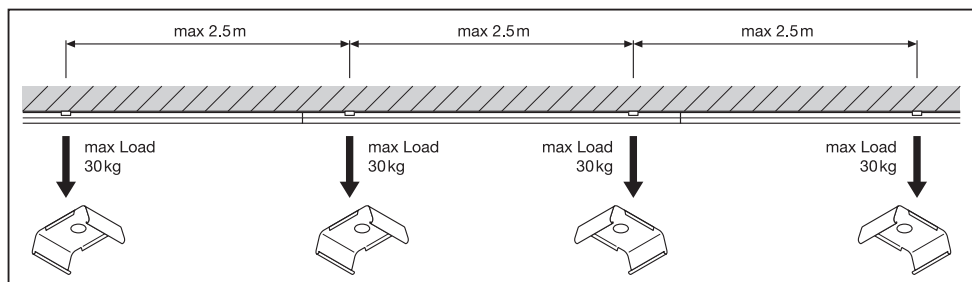
	EAN	l x w x h [mm]	W	V _{AC}	Hz	lm	lm/W
TRUSYS FLEX P 35W 865 VW CL WT DALI	4099854191039	1500x77.7x39.4	35	220-240 V	0/50/60 Hz	5700	165
TRUSYS FLEX P 35W 865 W CL WT DALI	4099854191053	1500x77.7x39.4	35	220-240 V	0/50/60 Hz	5800	170
TRUSYS FLEX P 35W 865 N CL WT DALI	4099854191077	1500x77.7x39.4	35	220-240 V	0/50/60 Hz	5800	170
TRUSYS FLEX P 35W 865 VN CL WT DALI	4099854191091	1500x77.7x39.4	35	220-240 V	0/50/60 Hz	5800	170
TRUSYS FLEX P 35W 865 DS CL WT DALI	4099854191114	1500x77.7x39.4	35	220-240 V	0/50/60 Hz	5700	165
TRUSYS FLEX P 35W 865 W OP WT DALI	4099854191138	1500x77.7x39.4	35	220-240 V	0/50/60 Hz	5600	160
TRUSYS FLEX P 35W 865 WW CL WT DALI	4099854191152	1500x77.7x39.4	35	220-240 V	0/50/60 Hz	5700	165
TRUSYS FLEX P 50W 865 VW CL WT DALI	4099854191190	1500x77.7x39.4	50	220-240 V	0/50/60 Hz	8600	175
TRUSYS FLEX P 50W 865 W CL WT DALI	4099854191312	1500x77.7x39.4	50	220-240 V	0/50/60 Hz	8600	175
TRUSYS FLEX P 50W 865 N CL WT DALI	4099854191336	1500x77.7x39.4	50	220-240 V	0/50/60 Hz	8600	175
TRUSYS FLEX P 50W 865 VN CL WT DALI	4099854191350	1500x77.7x39.4	50	220-240 V	0/50/60 Hz	8600	175
TRUSYS FLEX P 50W 865 DS CL WT DALI	4099854191374	1500x77.7x39.4	50	220-240 V	0/50/60 Hz	8600	175
TRUSYS FLEX P 50W 865 W OP WT DALI	4099854191398	1500x77.7x39.4	50	220-240 V	0/50/60 Hz	8300	175
TRUSYS FLEX P 50W 865 WW CL WT DALI	4099854191411	1500x77.7x39.4	50	220-240 V	0/50/60 Hz	8600	175
TRUSYS FLEX P 70W 865 VW CL WT DALI	4099854191459	1500x77.7x39.4	70	220-240 V	0/50/60 Hz	12100	175
TRUSYS FLEX P 70W 865 W CL WT DALI	4099854191473	1500x77.7x39.4	70	220-240 V	0/50/60 Hz	12100	175
TRUSYS FLEX P 70W 865 N CL WT DALI	4099854191497	1500x77.7x39.4	70	220-240 V	0/50/60 Hz	12100	175
TRUSYS FLEX P 70W 865 VN CL WT DALI	4099854191510	1500x77.7x39.4	70	220-240 V	0/50/60 Hz	12100	175
TRUSYS FLEX P 70W 865 DS CL WT DALI	4099854191534	1500x77.7x39.4	70	220-240 V	0/50/60 Hz	12100	175
TRUSYS FLEX P 70W 865 W OP WT DALI	4099854191558	1500x77.7x39.4	70	220-240 V	0/50/60 Hz	11700	175
TRUSYS FLEX P 70W 865 WW CL WT DALI	4099854191572	1500x77.7x39.4	70	220-240 V	0/50/60 Hz	12100	175
TRUSYS FLEX P RAIL 1500 8P WT	4058075781696	1650x70.2x38.8	-	-	-	-	-
TRUSYS FLEX P RAIL 1500 8P END WT	4058075781719	1500x70.2x38.8	-	-	-	-	-
TRUSYS FLEX P RAIL 3000 8P WT	4058075781771	3150x70.2x38.8	-	-	-	-	-
TRUSYS FLEX P RAIL 4500 8P WT	4058075793170	4650x70.2x38.8	-	-	-	-	-

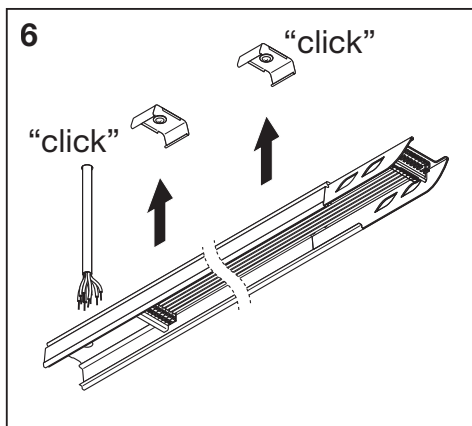
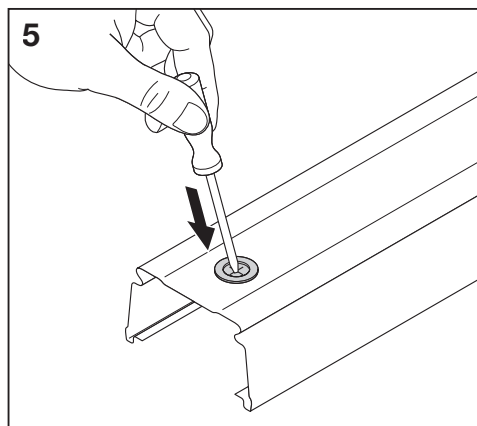
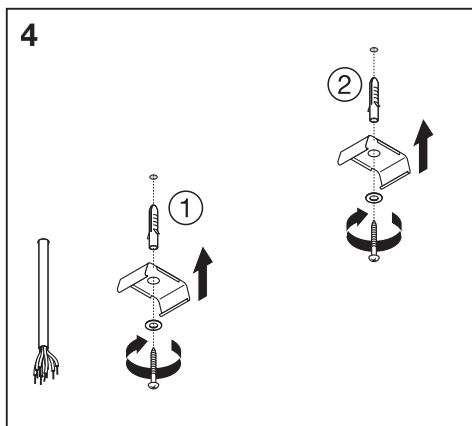
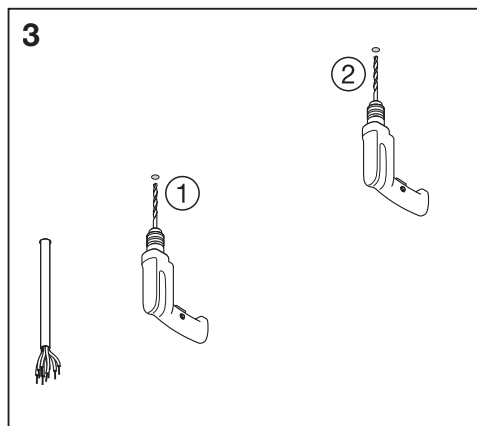
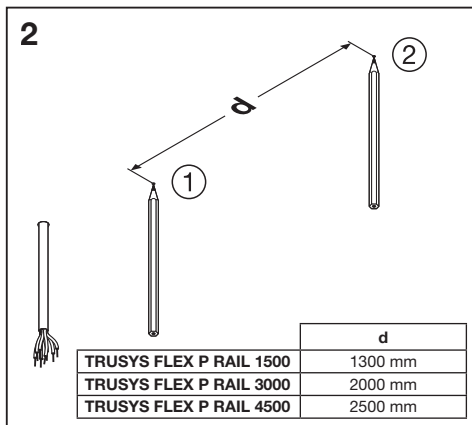
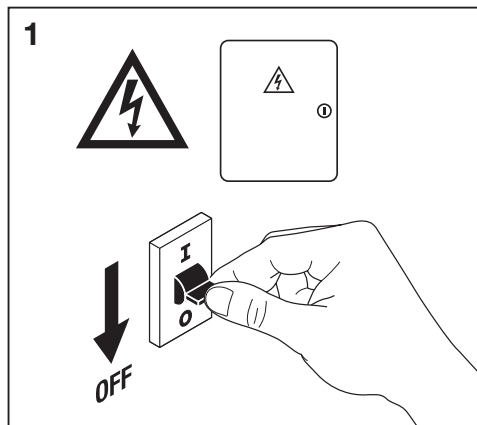
	EAN	K	IP	IK	∠	R _a	∅ (°C)	PF	⊙	👤
TRUSYS FLEX P 35W 865 VW CL WT DALI	4099854191039	6500	40	04	120°	≥80	-25...+40	≥0.95	✓	1.7 kg
TRUSYS FLEX P 35W 865 W CL WT DALI	4099854191053	6500	40	04	90°	≥80	-25...+40	≥0.95	✓	1.7 kg
TRUSYS FLEX P 35W 865 N CL WT DALI	4099854191077	6500	40	04	60°	≥80	-25...+40	≥0.95	✓	1.7 kg
TRUSYS FLEX P 35W 865 VN CL WT DALI	4099854191091	6500	40	04	30°	≥80	-25...+40	≥0.95	✓	1.7 kg
TRUSYS FLEX P 35W 865 DS CL WT DALI	4099854191114	6500	40	04	2 x 30°	≥80	-25...+40	≥0.95	✓	1.7 kg
TRUSYS FLEX P 35W 865 W OP WT DALI	4099854191138	6500	40	04	90°	≥80	-25...+40	≥0.95	✓	1.7 kg
TRUSYS FLEX P 35W 865 WW CL WT DALI	4099854191152	6500	40	04	40°	≥80	-25...+40	≥0.95	✓	1.7 kg
TRUSYS FLEX P 50W 865 VW CL WT DALI	4099854191190	6500	40	04	120°	≥80	-25...+40	≥0.95	✓	1.7 kg
TRUSYS FLEX P 50W 865 W CL WT DALI	4099854191312	6500	40	04	90°	≥80	-25...+40	≥0.95	✓	1.7 kg
TRUSYS FLEX P 50W 865 N CL WT DALI	4099854191336	6500	40	04	60°	≥80	-25...+40	≥0.95	✓	1.7 kg
TRUSYS FLEX P 50W 865 VN CL WT DALI	4099854191350	6500	40	04	30°	≥80	-25...+40	≥0.95	✓	1.7 kg
TRUSYS FLEX P 50W 865 DS CL WT DALI	4099854191374	6500	40	04	2 x 30°	≥80	-25...+40	≥0.95	✓	1.7 kg
TRUSYS FLEX P 50W 865 W OP WT DALI	4099854191398	6500	40	04	90°	≥80	-25...+40	≥0.95	✓	1.7 kg
TRUSYS FLEX P 50W 865 WW CL WT DALI	4099854191411	6500	40	04	40°	≥80	-25...+40	≥0.95	✓	1.7 kg
TRUSYS FLEX P 70W 865 VW CL WT DALI	4099854191459	6500	40	04	120°	≥80	-25...+35	≥0.95	✓	1.7 kg
TRUSYS FLEX P 70W 865 W CL WT DALI	4099854191473	6500	40	04	90°	≥80	-25...+35	≥0.95	✓	1.7 kg
TRUSYS FLEX P 70W 865 N CL WT DALI	4099854191497	6500	40	04	60°	≥80	-25...+35	≥0.95	✓	1.7 kg
TRUSYS FLEX P 70W 865 VN CL WT DALI	4099854191510	6500	40	04	30°	≥80	-25...+35	≥0.95	✓	1.7 kg
TRUSYS FLEX P 70W 865 DS CL WT DALI	4099854191534	6500	40	04	2 x 30°	≥80	-25...+35	≥0.95	✓	1.7 kg
TRUSYS FLEX P 70W 865 W OP WT DALI	4099854191558	6500	40	04	90°	≥80	-25...+35	≥0.95	✓	1.7 kg
TRUSYS FLEX P 70W 865 WW CL WT DALI	4099854191572	6500	40	04	40°	≥80	-25...+35	≥0.95	✓	1.7 kg
TRUSYS FLEX P RAIL 1500 8P WT	4058075781696	-	-	04	-	≥80	-	-	-	1.8 kg
TRUSYS FLEX P RAIL 1500 8P END WT	4058075781719	-	-	04	-	≥80	-	-	-	1.5 kg
TRUSYS FLEX P RAIL 3000 8P WT	4058075781771	-	-	04	-	≥80	-	-	-	3.3 kg
TRUSYS FLEX P RAIL 4500 8P WT	4058075793170	-	-	04	-	≥80	-	-	-	4.6 kg



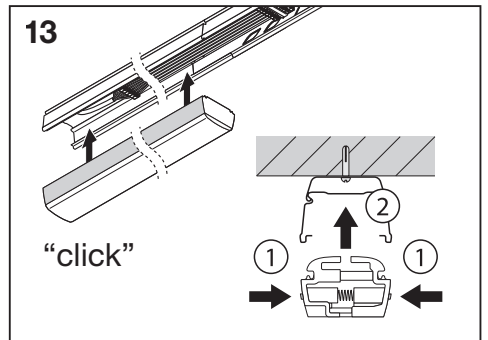
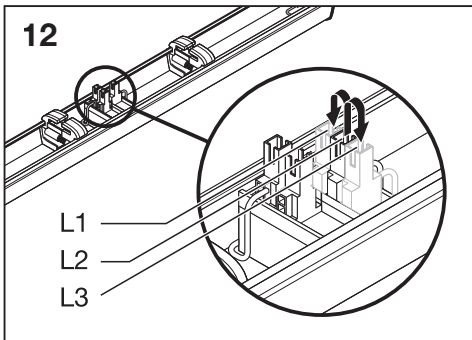
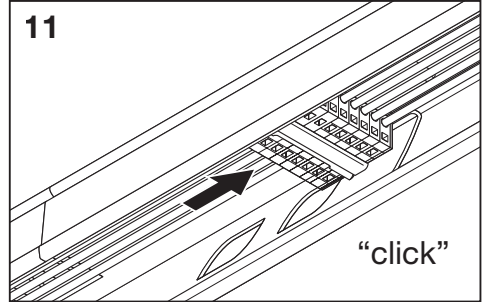
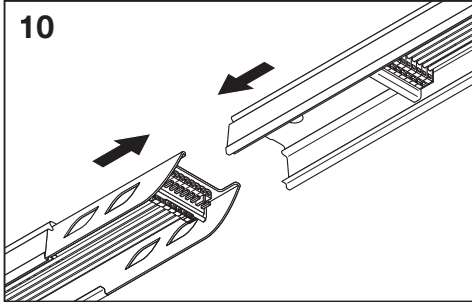
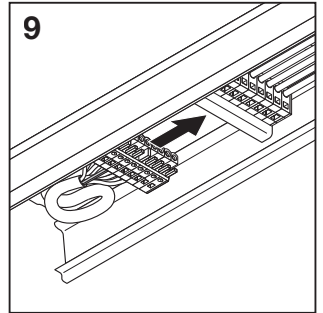
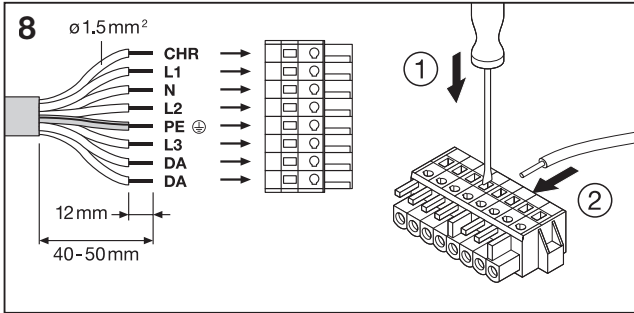
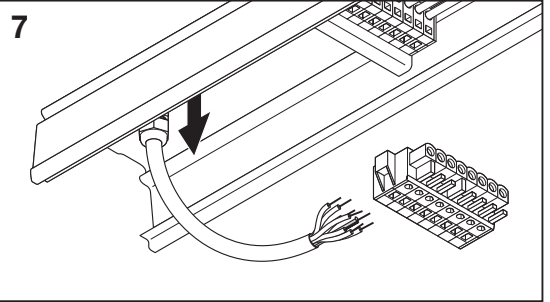
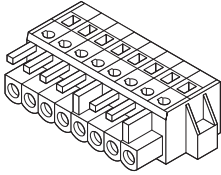
**TRUSYS FLEX
SURFACE CLIP**
EAN 4058075781894

2x

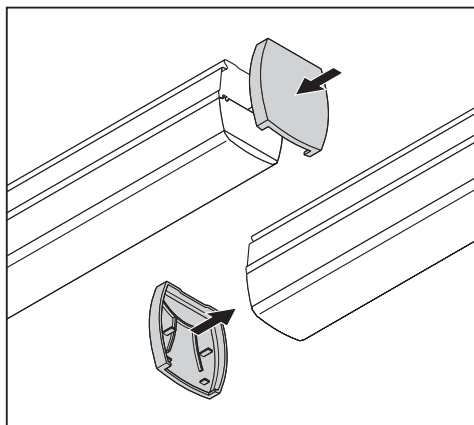
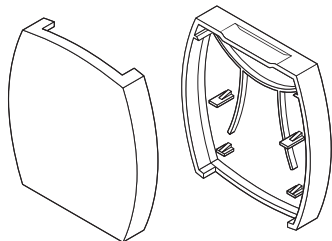




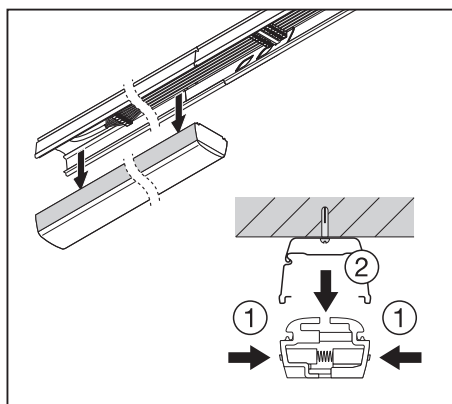
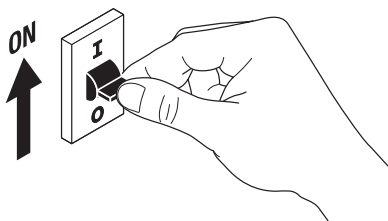
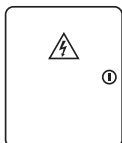
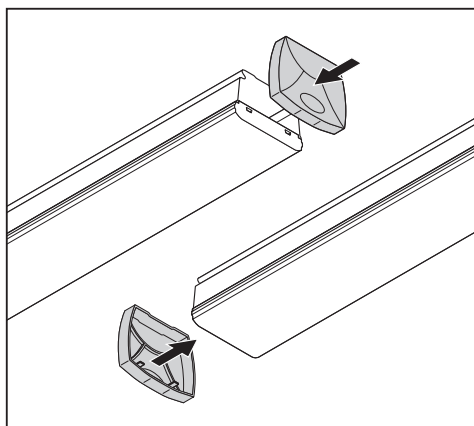
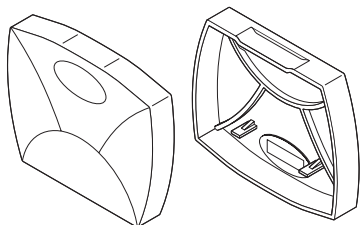
TRUSYS FLEX FEED IN 8P
EAN 4058075781955



TRUSYS FLEX
END CAP RAIL WT
EAN 4058075781856

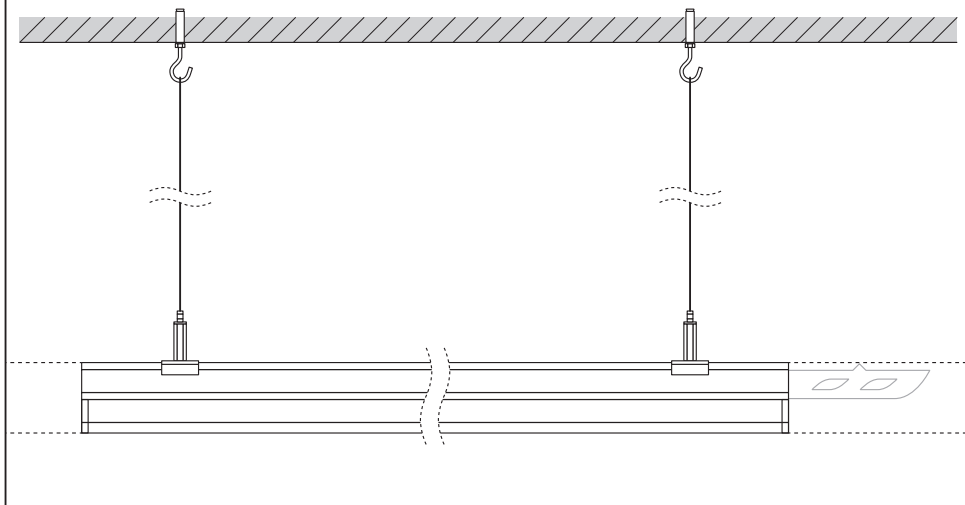
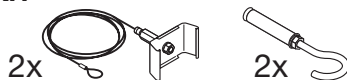


TRUSYS FLEX
END CAP LOW RAIL WT
EAN 4058075781870



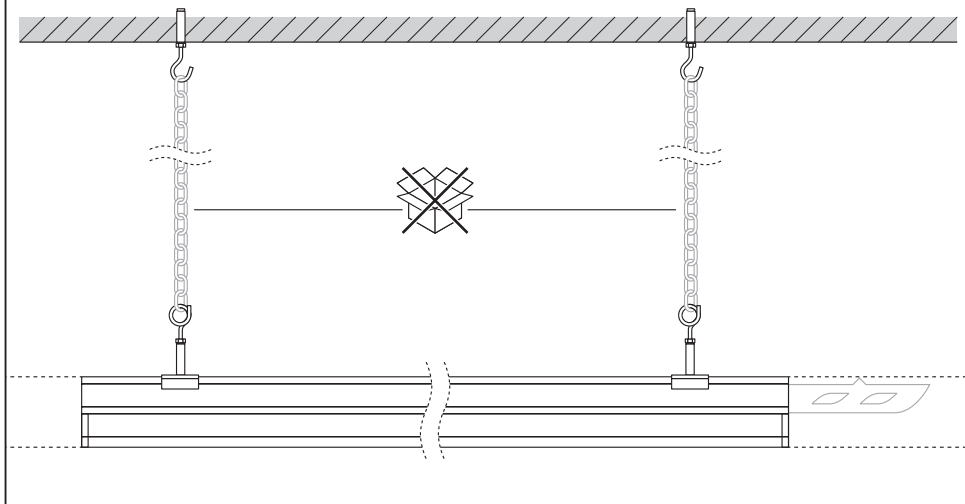
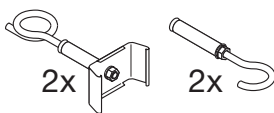
TRUSYS FLEX SUSPENSION KIT

EAN 4058075781795



TRUSYS FLEX CHAIN KIT

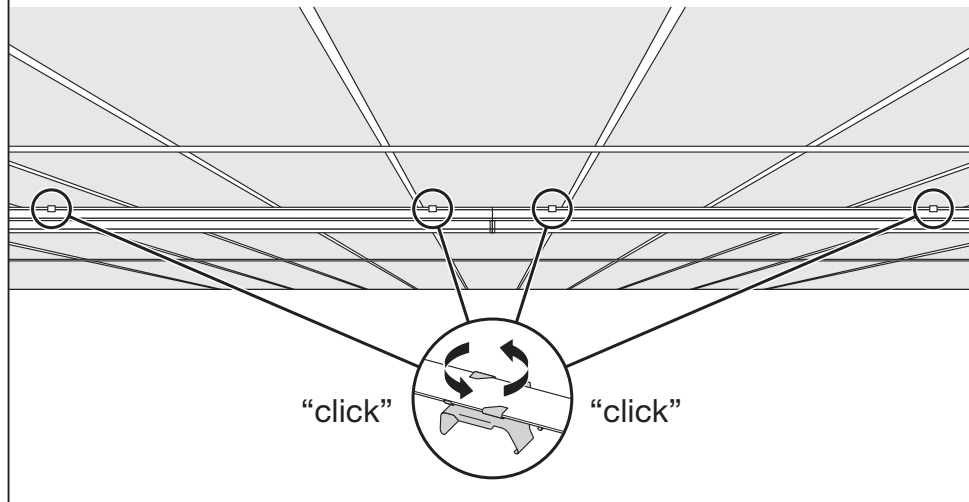
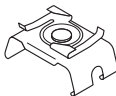
EAN 4058075781818



TRUSYS FLEX GRID CEILING CLIP

EAN 4058075781917

2x

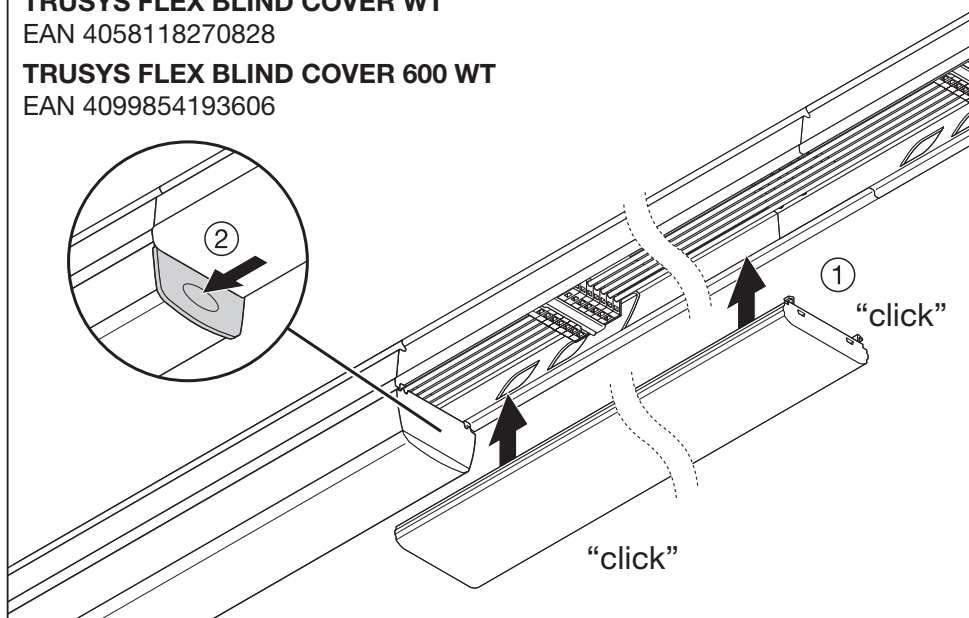


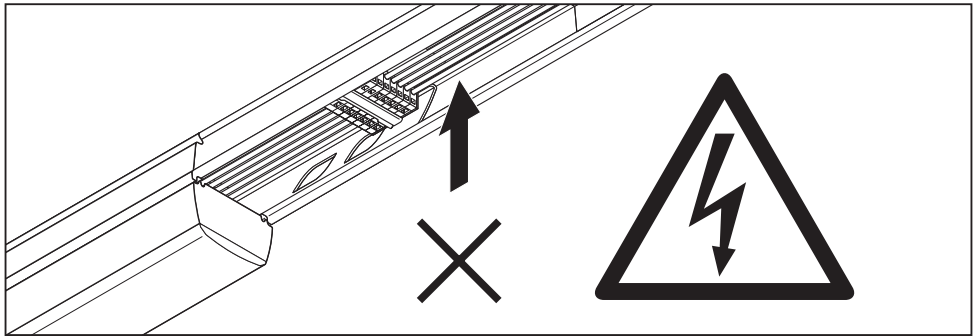
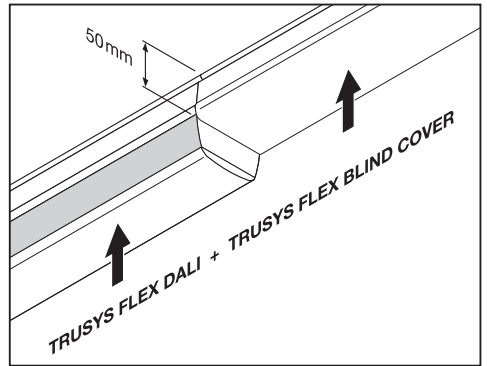
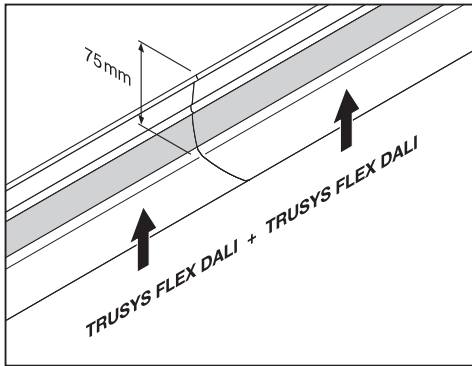
TRUSYS FLEX BLIND COVER WT

EAN 4058118270828

TRUSYS FLEX BLIND COVER 600 WT

EAN 4099854193606





	2x TRUSYS FLEX P RAIL		...	nx TRUSYS FLEX P RAIL		1x TRUSYS FLEX P RAIL END
	C10 A	B16 A		C16 A	Inrush current	Inrush Charge Time
TRUSYS FLEX P 35W 865 DALI	15	18		25	22.4 A	176 μs
TRUSYS FLEX P 50W 865 DALI	7	9		12	43.8 A	188 μs
TRUSYS FLEX P 70W 865 DALI	7	9		12	43.8 A	188 μs



LEDVANCE GmbH
Steinerne Furt 62
86167 Augsburg, Germany
www.ledvance.com



FR
Cet appareil et ses accessoires se recyclent
À DÉPOSER EN MAGASIN À DÉPOSER EN DÉCHÈTERIE
OU

C10449058
G11173997
19.07.23

Points de collecte sur www.quefairedemesdechets.fr

© LEDVANCE Ltd, Aquila House
Delta Crescent, Westbrook, Warrington
WA5 7NR, United Kingdom