

RAYCHEM HEAT SHRINK WRAPAROUND SLEEVES CRSM

FOR CABLE JACKET REPAIR AND REJACKETING



IDEAL FOR INSULATING, SEALING OR REJACKETING 1000V POWER CABLES AND AS A CABLE JACKET REPAIR FOR MEDIUM VOLTAGE CABLES.

KEY FEATURES

- Cross-linked polyolefin material, halogen-free and non-corrosive
- Reliable closure system and environmental seal with excellent bonding
- Easy to install without special tools
- Unlimited shelf-life under normal conditions
- RoHS and REACH compliant

TE's Raychem CRSM heat shrink wraparound sleeves fit easily onto the cable to repair the outer jacket and seal it against moisture. The closure system consists of a raised rail profile and a stainless steel channel which can be installed without any special tools. The hot-melt sealant provides a reliable, environmental seal.

Our CRSM wraparound sleeves are mainly used as insulation, sealing or as a re-jacketing material for 1000V power cables. They can also be used for cable jacket repairs on medium voltage power cables and as protection on various substrates, where installation space is tight or difficult to reach.

Our CRSM wraparound sleeves are halogen-free and stabilized against UV radiation which ensures their long-term reliability in harsh environments. They have an unlimited shelf-life when stored under normal conditions.

APPLICATIONS

- Underground power networks
- Onshore and offshore wind energy

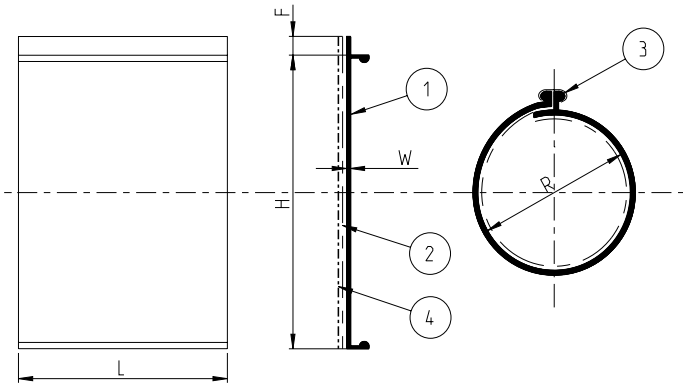
STANDARDS AND TEST REPORTS

- Qualified to ANSI C119.1 and EN 50393:2015
- Flexible insulating sleeving test standard IEC 60684-2

TECHNICAL SPECIFICATIONS

Physical Characteristics	Test Method	Material Requirements
Tensile Strength	IEC 60684-2/ASTM D412	≥ 14 MPa
Ultimate Elongation	IEC 60684-2/ASTM D412	≥ 350%
Hardness	IEC 60684-2	≥ 50 Shore D
Low Temperature Flexibility	IEC 60684-2/ASTM D2671	No cracking at 4 hours at -30°C ± 3°C (-22°F ± 3°F)
Dielectric Strength	IEC 60684-2/ASTM D149	≥ 12 kV/mm
Volume Resistivity	IEC 60684-2/ASTM D257	≥ 1 x 10 ¹² Ohm cm
Water Absorption	IEC 60684-2	≤ 0.5% max after 14 days at 23°C ± 2°C (73.4°F ± 2°F)
UV Resistance	The material from which CRSM is manufactured contains carbon black (≥ 2,5 %) to protect it from ultra-violet light	
Tensile Strength after Accelerated aging 7 days at 150°C ± 2°C (ASTM D2671)	IEC 60684-2/ASTM D412	≥ 12 MPa
Ultimate Elongation after Accelerated aging 7 days at 150°C ± 2°C (ASTM D2671)	IEC 60684-2/ASTM D412	≥ 300% min

Application Characteristics		
Operating Temperature Range	-	- 30°C up to + 85°C (-22°F up to 185°F)
Shrink Ratio	-	> 3:1
Longitudinal Shrinkage Free Recovered	-	- 10% max



ITEM	DESCRIPTION	MATERIAL
1	HEATSHRINK SLEEVE	CROSSLINKED POLYOLEFINE BASED
2	HOTMELT ADHESIVE	POLYAMIDE BASED
3	CLOSURE SYSTEM	STAINLESS STEEL
4	REMOVABLE PROTECTIVE FOIL	PE (Polyethylene)

PRODUCT SELECTION INFORMATION - DIMENSIONS ARE IN MM (INCH)

Description	Application Range (R)		H	F	Thickness W
	min	max	Expanded min	Expanded min	Recovered min
CRSM 34/10	11 (0.433)	27 (1.062)	120 (4.724)	12 (0.472)	2 (0.078)
CRSM 53/13	17 (0.669)	43 (1.692)	165 (6.496)	25 (0.984)	2 (0.078)
CRSM 84/20	24 (0.944)	68 (2.677)	260 (10.236)	34 (1.338)	2 (0.078)
CRSM 107/29	32 (1.259)	86 (3.385)	340 (13.385)	34 (1.338)	2 (0.078)
CRSM 143/36	39 (1.535)	115 (4.527)	460 (18.110)	34 (1.338)	1.8 (0.070)
CRSM 198/55	60 (2.362)	160 (6.299)	700 (27.559)	34 (1.338)	1.8 (0.070)
CRSM 250/98	105 (4.133)	200 (7.874)	820 (32.283)	34 (1.338)	1.8 (0.070)

Learn more: [TE.com/energy](https://www.te.com/energy)

© 2023 TE Connectivity. All Rights Reserved. EPP-4182-DDS-3/23

TE, TE Connectivity, TE connectivity (logo), EVERY CONNECTION COUNTS, Raychem are trademarks owned or licensed by TE Connectivity. Other logos, product and company names mentioned herein may be trademarks of their respective owners. While TE has made every reasonable effort to ensure the accuracy of the information in this brochure, TE does not guarantee that it is error-free, nor does TE make any other representation, warranty or guarantee that the information is accurate, correct, reliable or current. TE reserves the right to make any adjustments to the information contained herein at any time without notice. TE Connectivity's obligations shall only be as set forth in TE Connectivity's Standard Terms and Conditions of Sale for this product and in no case will TE Connectivity be liable for any incidental, indirect or consequential damages arising out of the sale, resale, use or misuse of the product. TE expressly disclaims all implied warranties regarding the information contained herein, including, but not limited to, any implied warranties of merchantability or fitness for a particular purpose. The dimensions, specifications, and/or information contained herein are for reference purposes only and are subject to change without notice. Consult TE for the latest dimensions, specifications, and/or information. Users of TE Connectivity products should make their own evaluation to determine the suitability of each such product for the specific application.

Connect with us:

[TE.com/energy-contact](https://www.te.com/energy-contact)