

Pulsar Eiffel Basic weather shield

For the Wallbox ABL Pulsar

The Pulsar Eiffel Basic weather shield was designed to fit perfectly on the POLE Pulsar Eiffel Basic mounting pole. The aluminium weather shield is colour-coordinated with the charging station and the POLE Pulsar Eiffel Basic mounting pole and gives the charging point a harmonious overall appearance. Thanks to its functional design, the Pulsar Eiffel Basic weather shield offers improved protection of the charging station from the weather.



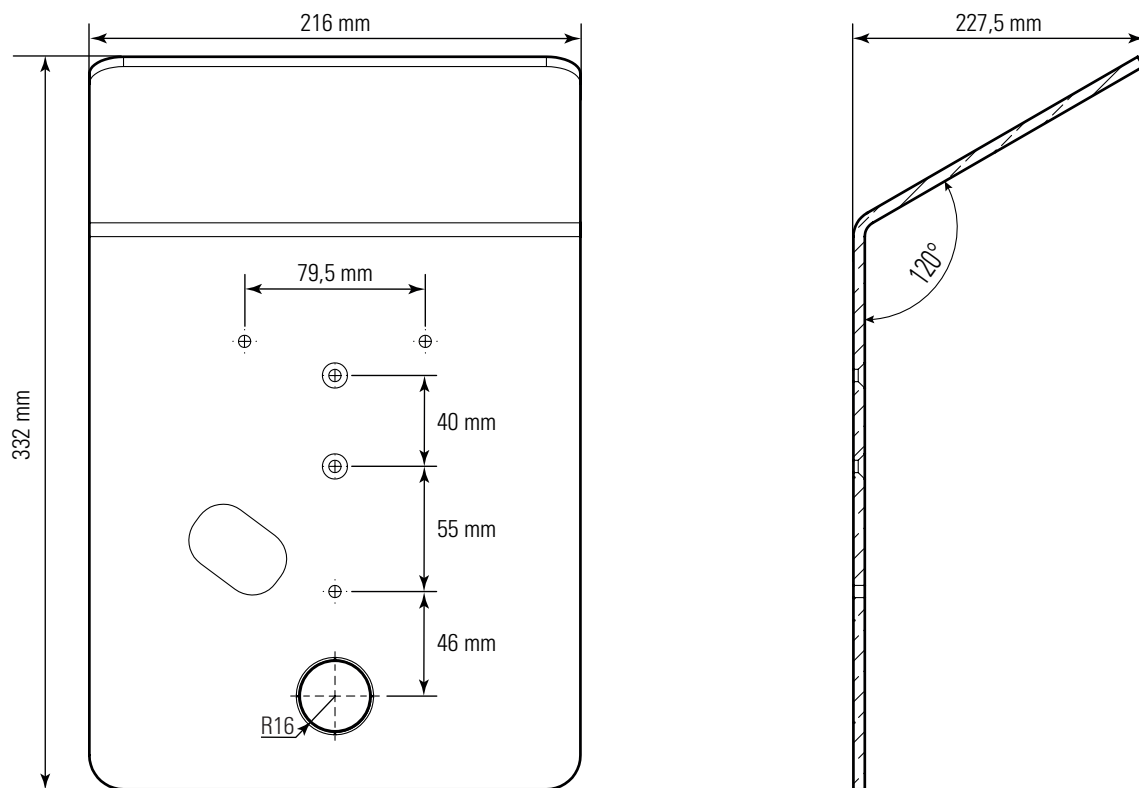
General information

Model	Weather shield for the Wallbox ABL Pulsar
Manufacturer number	COVER-EIFBS-PLP1
Product number	100000449
EAN number	8436575278230
Commodity code	85381000
Packaging unit (PU)	1 unit
Items supplied	Weather shield, installation instructions, installation kit

Construction

Type	Metal shield with pre-drilled holes and matching cut-outs for the top part of the POLE Pulsar Eiffel Basic
Fixing type	Screw connection on the POLE Pulsar Eiffel Basic
Material	Aluminium
Housing colour	RAL 7043 matte
Product dimensions (H×W×D)	322 × 216 × 227.5 mm
Packaging dimensions (H×W×D)	125 × 465 × 325 mm
Weight (net)	Approx. 1.1 kg
Weight (gross)	Approx. 2 kg

Dimensioned drawing



Subject to change: All performance characteristics, technical and other specifications are subject to change without prior notice.

Revision status ABL_100000449_DE_a, 03/24

ABL GmbH • Albert-Büttner-Straße 11 • D-91207 Lauf / Pegnitz • Tel. +49 (0) 9123 188-0 • info@abl.de • www.abl.de • www.ablmobility.de