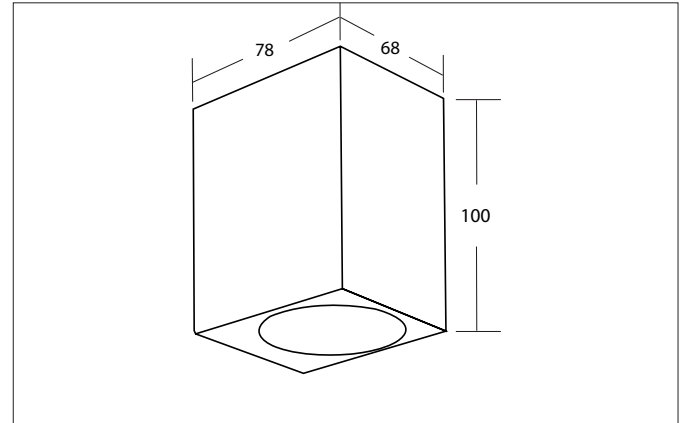
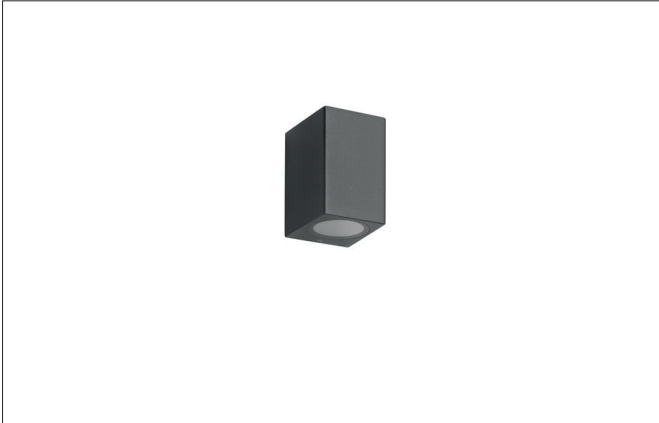


LIFOU Surface-mounted wall light, GU10, IP65, switchable
Article no. 65341180

Light.
For Generations.



Tender

Surface-mounted wall light, GU10, IP65, switchable, Round., Hight 100.0 mm Weight 0.39 kg, with rotationssymmetrical, deep, wide distributed light intensity.with Lamp holder GU10 max: 10 W , Delivery without bulb.Housing material: Aluminium / Glass, Colour: Black, Permissible ambient temperature (ta): -20 to +45°C, Protection class (EN 61140): I, Degree of protection (DIN EN 60529): IP65, .For direct connection to mains voltage, Other dimmable.

Article data	
Article no.	65341180
GTIN	4255752502692
Series name	LIFOU
Short description	Surface-mounted wall light, GU10, IP65, switchable
Material	Aluminium / Glass
Colour	Black
Type of surface	Structure
Shape	Angular
Hight	100 mm
Weight	0.390 kg

Lighting technology	
Light output	Direct
System efficiency	10 lm/W
Reflector	Without
Light sharing	Symmetric
Adjustable color temperature	No

LIFOU Surface-mounted wall light, GU10, IP65, switchable

Article no. 65341180

Light.
For Generations.

Operating technology of the luminaire	
System output	10 W
Voltage type	AC
AC nominal voltage max	230 V
Frequency max	50 Hz
Lamp	For LED-retrofill lamp
Lamp holder	GU10
Protection class	I
Degree of protection	IP65
Ambient temperature	-20 bis +45°C
Dimmable	No
Control	Other
Bulb change possible	Yes

Mounting technology	
Mounting method	Surface mounting
Place of installation	Wall-mounted
Adjustability	Not adjustable
Swivel angle	0°
stamp	UKCA
Further references	Outdoor
Circlip	Without circlip

Packing data	
Gross weight	0.39 kg
Length of packaging	120 mm
Packaging width	100 mm
Packaging height	150 mm
Disposal at end of life	This product must not be disposed of with household waste. You are obliged, to dispose of such electrical waste separately. By disposing of electrical waste and other old or defective electronics separately, you support recycling or other forms of re-use. In that way you help to take care and to avoid that harmful substances get into the environment.