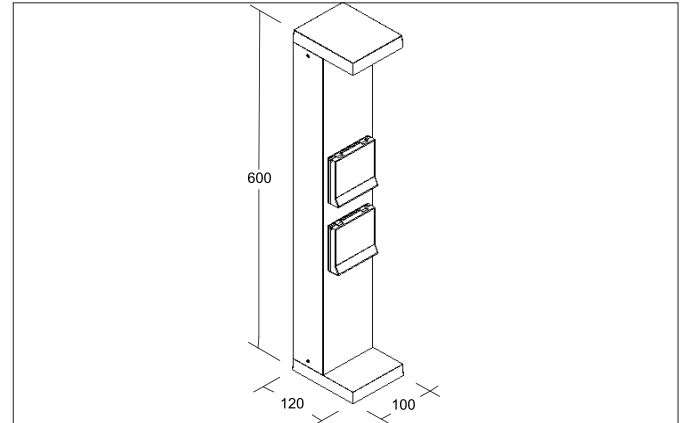


**ALOR LED bollard light, IP65, height 600 mm**  
Article no. 60046103

Light.  
For Generations.



**Tender**

LED bollard light, IP65, height 600 mm, Other., Luminaire width 95.0 mm, Hight 600.0 mm Weight 3.0 kg, with rotationssymmetrical, deep, wide distributed light intensity. optimal light distribution due to a glass transparent cover. Luminous flux 516 lm, Power 1 x 6 W, Light colour warm white, Correlated color temperature (CCT) 3.000 K, Colour rendering index CRI > 80, Housing material: Aluminium / Glass, Colour: Graphite, Permissible ambient temperature (ta): -20 °C - +25 °C, Protection class (EN 61140): I, Degree of protection (DIN EN 60529): IP44, .With electronic driver, on/off switchable.

Article data	
Article no.	60046103
GTIN	4255752501800
Series name	ALOR
Short description	LED bollard light, IP65, height 600 mm
Material	Aluminium / Glass
Colour	Graphite
Shape	Other
Width	95 mm
Hight	600 mm
Scope of delivery	inkl. Konverter zum Anschluss an 230 V-Netzspannung, schaltbar und Anschlussbox mit Durchgangsverdrahtung
Weight	3.000 kg

**ALOR LED bollard light, IP65, height 600 mm**

Article no. 60046103

Light.  
For Generations.

Lighting technology	
Colour temperature	2.700 / 3.000 K
Light colour	White
Light output	Direct
Luminous flux	516 lm
System efficiency	86 lm/W
Colour rendering	CRI > 80
Light sharing	Symmetric

Operating technology of the luminaire	
System output	6 W
Voltage type	AC
AC nominal voltage max	230 V
Frequency max	50 Hz
Lamp	LED
Protection class	I
Degree of protection	IP44
Control	on/off
Bulb change possible	The light source of this luminaire may only be replaced by the manufacturer or a service technician commissioned by him or a similarly qualified person.

Mounting technology	
Mounting method	Surface mounting
Place of installation	Floor-mounted
stamp	UKCA
Material cover	Glass transparent

Packing data	
Gross weight	3.2 kg
Length of packaging	220 mm
Packaging width	220 mm
Packaging height	675 mm
Disposal at end of life	This product must not be disposed of with household waste. You are obliged, to dispose of such electrical waste separately. By disposing of electrical waste and other old or defective electronics separately, you support recycling or other forms of re-use. In that way you help to take care and to avoid that harmful substances get into the environment.