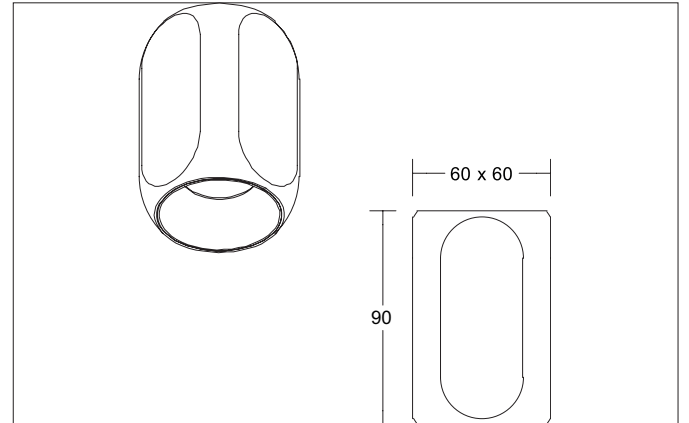


PENCIL MINI LED Surface-mounted ceiling downlight, trailing edge**dimmable**

Article no. 12122173

Light.
For Generations.**Tender**

LED Surface-mounted ceiling downlight, trailing edge dimmable, Rectangular. Luminaire length 60.0 mm, Luminaire width 60.0 mm, Height 90.0 mm Weight 0.369 kg, Reflector silver with rotationssymmetrical, deep, wide distributed light intensity. optimal light distribution due to a plastic, transparent cover. Luminous flux 140 lm, Power 1 x 4 W, Light colour warm white, Correlated color temperature (CCT) 3.000 K, Colour rendering index CRI > 90, Housing material: Aluminium / PMMA, Colour: White structure, Permissible ambient temperature (ta): -20 °C - +25 °C, Protection class (EN 61140): I, Degree of protection (DIN EN 60529): IP20, .For direct connection to mains voltage, Trailing-edge phase dimmable.

Article data	
Article no.	12122173
GTIN	4255752501107
Series name	PENCIL MINI
Short description	LED Surface-mounted ceiling downlight, trailing edge dimmable
Material	Aluminium / PMMA
Colour	White
Type of surface	Structure
Shape	Rectangular
Length	60 mm
Width	60 mm
Height	90 mm
Weight	0.369 kg

PENCIL MINI LED Surface-mounted ceiling downlight, trailing edge dimmable

Article no. 12122173

Light.
For Generations.

Lighting technology	
Colour temperature	3.000 K
Light colour	White
Light output	Direct
Luminous flux	140 lm
System efficiency	35 lm/W
Colour rendering	CRI > 90
Reflector	High-gloss
Reflector colour	silver
Beam angle	40°
Light sharing	Symmetric
Adjustable color temperature	No

Operating technology of the luminaire	
System output	4 W
Voltage type	AC
AC nominal voltage max	230 V
Frequency max	50 Hz
Lamp	LED
Protection class	I
Degree of protection	IP20
Dimmable	Yes
Control	Trailing-edge phase
Bulb change possible	The light source of this luminaire may only be replaced by the manufacturer or a service technician commissioned by him or a similarly qualified person.

Mounting technology	
Mounting method	Surface mounting
Place of installation	Ceiling-mounted
Adjustability	Not adjustable
stamp	UKCA
Material cover	Plastic, transparent

Packing data	
Gross weight	0.45 kg
Length of packaging	120 mm
Packaging width	100 mm
Packaging height	70 mm
Disposal at end of life	This product must not be disposed of with household waste. You are obliged, to dispose of such electrical waste separately. By disposing of electrical waste and other old or defective electronics separately, you support recycling or other forms of re-use. In that way you help to take care and to avoid that harmful substances get into the environment.