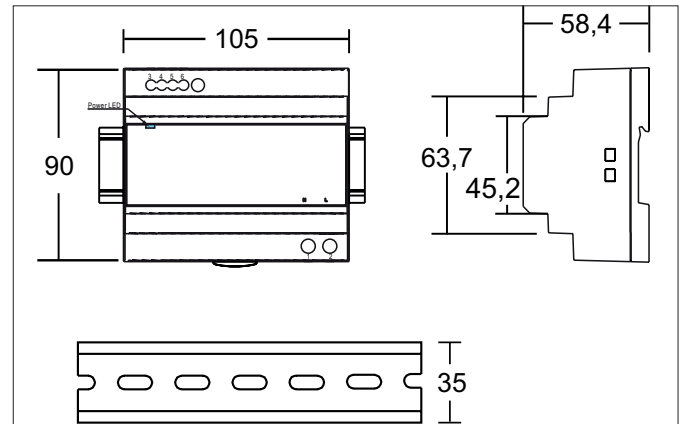


REG LED-Netzgerät 24 V DC, schaltbar

Article no. 17260000

Light.
For Generations.**Tender**

REG LED-Netzgerät 24 V DC, schaltbar, , Rectangular. Dieses Netzgerät ist durch Sicherungseinrichtungen gegen Überspannung und Kurzschluss sowie thermische und elektrische Überlastung geschützt. Material: Plastic, Degree of protection: according to DIN EN 60529 IP20, Protection class: (EN 61140) II, Voltage: 24V DC, Power: 150 W, Dimmable: No, Control: on/off.

Article data	
Article no.	17260000
GTIN	4255752509509
Short description	REG LED-Netzgerät 24 V DC, schaltbar
Material	Plastic
Shape	Rectangular
Length	105 mm
Width	90 mm
Hight	59 mm
Weight	0.320 kg
stamp	UKCA

REG LED-Netzgerät 24 V DC, schaltbar

Article no. 17260000

Light.
For Generations.

Operating technology of driver	
AC nominal voltage min	85 V
AC nominal voltage max	264 V
Frequency min	47 Hz
Frequency max	63 Hz
DC nominal voltage min	120 V
DC nominal voltage max	370 V
Output current	6,25 A mA
Protection class	II
Degree of protection	IP20
Starting current	70 A
Power min	1 W
Power	150 W
Output_ripple_current	150
Suitable for emergency lighting	No
Control	on/off
Environment temperature (ta)	0 °C bis +40 °C

Packing data	
Gross weight	0.355 kg
Length of packaging	118 mm
Packaging width	98 mm
Packaging height	65 mm
Disposal at end of life	<p>This product must not be disposed of with household waste. You are obliged, to dispose of such electrical waste separately.</p> <p>By disposing of electrical waste and other old or defective electronics separately, you support recycling or other forms of re-use. In that way you help to take care and to avoid that harmful substances get into the environment.</p>