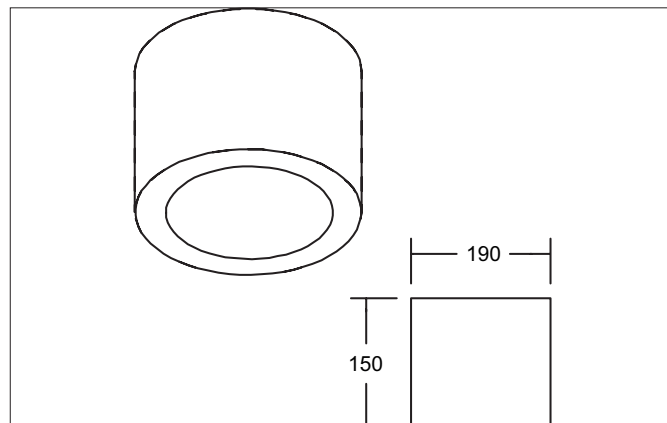


**KODIAK MINI LED Surface-mounted downlight, DALI dimmable**

Article no. 12595183DA

Light.  
For Generations.**Tender**

LED Surface-mounted downlight, DALI dimmable, Round. Luminaire diameter 190.0 mm, Height 150.0 mm Weight 1.751 kg, Reflector silver with rotationssymmetrical, deep, wide distributed light intensity. Luminous flux 3.618 lm, UGR < 20, Power 1 x 31 W, Light colour warm white, Correlated color temperature (CCT) 3.000 K, Colour rendering index CRI > 90, Rated life time L70/B10 at 25 °C: 50.000 h, Rated life time L70/B50 at 25 °C: 50.000 h, Housing material: Aluminium / Plastic, Colour: Black structure, Permissible ambient temperature (ta): -20 °C - +25 °C, Protection class (EN 61140): I, Degree of protection (DIN EN 60529): IP20, .With electronic driver, DALI-2 dimmable.

**Product Benefits**

- Rundes Anbaudownlight aus massivem Aluminium mit großzügig dimensioniertem Wärmemanagement.
- Hochwertiger Reflektor.
- Einfache Montage.
- CRI > 90, UGR < 20.
- In den Ausführungen schaltbar und DALI dimmbar erhältlich.

**KODIAK MINI LED Surface-mounted downlight, DALI dimmable**

Article no. 12595183DA

Light.  
For Generations.

Article data	
Article no.	12595183DA
GTIN	4251433999546
Series name	KODIAK MINI
Short description	LED Surface-mounted downlight, DALI dimmable
Material	Aluminium / Plastic
Colour	Black
Type of surface	Structure
Shape	Round
Outer diameter	190 mm
Hight	150 mm
Scope of delivery	inkl. Konverter zum Anschluss an 230 V-Netzspannung, DALI-2 dimmbar
Weight	1.751 kg
stamp	UKCA

Lighting technology	
Colour temperature	3.000 K
Light colour	White
Light output	Direct
Luminous flux	3,618 lm
System efficiency	117 lm/W
Colour rendering	CRI > 90
Reflector	Faceted
Reflector colour	silver
Beam angle	70°
Glare evaluation	UGR < 20
Light sharing	Symmetric
Adjustable color temperature	No

Operating technology of the luminaire	
System output	31 W
Voltage type	AC
AC nominal voltage max	230 V
Frequency max	50 Hz
Lamp	LED
Protection class	I
Degree of protection	IP20
Dimmable	Yes
Control	DALI-2
Bulb change possible	The light source of this luminaire may only be replaced by the manufacturer or a service technician commissioned by him or a similarly qualified person.
Rated life time L70/B50 at 25 °C	50,000 h

Mounting technology	
Mounting method	Surface mounting
Place of installation	Ceiling-mounted
Adjustability	Not adjustable
Material cover	Without cover

**KODIAK MINI LED Surface-mounted downlight, DALI dimmable**  
Article no. 12595183DALight.  
For Generations.

Packing data	
Gross weight	1.938 kg
Length of packaging	195 mm
Packaging width	190 mm
Packaging height	215 mm
Disposal at end of life	<p>This product must not be disposed of with household waste. You are obliged, to dispose of such electrical waste separately.</p> <p>By disposing of electrical waste and other old or defective electronics separately, you support recycling or other forms of re-use. In that way you help to take care and to avoid that harmful substances get into the environment.</p>