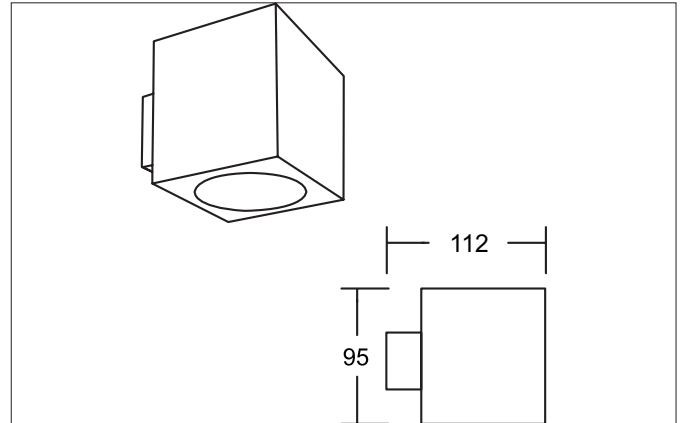


M1 Wall surface mounted housing, square, recessed, flush with module bracket, pivoted, without LED module

Article no. 45210560


Tender

Wall-mounted housing, square, flush, with module holder flush, pivoting, without LED module, luminaire length 90 mm, luminaire width 90 mm, height 95 mm, weight 0.288 kg, with rotationally symmetrical narrow-wide beam light distribution. with socket without socket max: 8 W , supplied without light source. Housing material: aluminum, color: textured black / white, permissible ambient temperature (ta): -20 °C - +25 °C, protection class (EN 61140): III, degree of protection (DIN EN 60529): IP20. For connection to an external control gear, which is not included with the luminaire. Dimmable depending on the control gear.

Product Benefits

- Teil des modular aufgebauten M1-Systems für Deckenein- und -anbau und Wandanbau.
- Leergehäuse zur Aufnahme von Brumberg-LED-Modulen bis zu einer Leistung von max. 8 W.
- Lieferbar in einfarbig strukturweiß, strukturschwarz oder in Kombination strukturweiß / strukturschwarz oder strukturschwarz / strukturweiß.
- Über 200 weitere Gehäuseversionen plus ca. 30 verschiedene LED-Module für diese Gehäuseversionen für alle gängigen Ansteuerungsarten.

Hinweis: Bei Bestückung mit 24 V-LED-Modulen muß das Netzgerät und die Steuerung aus Platzgründen immer bauseits außerhalb des Gehäuses untergebracht werden.

M1 Wall surface mounted housing, square, recessed, flush with module bracket, pivoted, without LED module

Article no. 45210560

Article data	
Article no.	45210560
GTIN	4255752502272
Series name	M1
Short description	Wall surface mounted housing, square, recessed, flush with module bracket, pivoted, without LED module
Material	Aluminium
Colour	Black / White
Type of surface	Structure
Shape	Square
Length	90 mm
Width	90 mm
Hight	95 mm
Scope of delivery	incl. module holder flush, pivotable
Weight	0.288 kg
Conformance	CE, UKCA

Operating technology of the luminaire	
Lamp	For LED
Lamp holder	Without fitting
Protection class	III
Degree of protection	IP20
Dimmable	Depending on type of control gear
Control	Depending on driver

Mounting technology	
Mounting method	Surface mounting
Place of installation	Wall-mounted
Adjustability	Pivoted
Swivel angle	20°
Material cover	Without cover
Circlip	Without circlip

Packing data	
Gross weight	0.333 kg
Length of packaging	100 mm
Packaging width	100 mm
Packaging hight	135 mm
Disposal at end of life	<p>This product must not be disposed of with household waste. You are obliged, to dispose of such electrical waste separately.</p> <p>By disposing of electrical waste and other old or defective electronics separately, you support recycling or other forms of re-use. In that you help to take care and to avoid that harmful substances get into the environment.</p>

M1 Wall surface mounted housing, square, recessed, flush with module bracket, pivoted, without LED module

Article no. 45210560

Compatible LED-modu-							
Article no.	Power	Beam angle	Colour temperature	Colour rendering	Luminous flux	Input	Hight LED-Modul
12925003	3 W	38°	2.700 K	CRI > 80	290 lm	350 mA	40 mm
12926003	3 W	38°	3.000 K	CRI > 80	310 lm	350 mA	40 mm
12925004	3 W	38°	4.000 K	CRI > 80	340 lm	350 mA	40 mm
12923383	6 W	38°	2.700 K	CRI > 80	740 lm	350 mA	32 mm
12923603	6 W	60°	2.700 K	CRI > 80	720 lm	350 mA	32 mm
12927383	6 W	38°	2.700 K	CRI > 90	600 lm	350 mA	32 mm
12924383	6 W	38°	3.000 K	CRI > 80	730 lm	350 mA	32 mm
12924603	6 W	60°	3.000 K	CRI > 80	770 lm	350 mA	32 mm
12928383	6 W	38°	3.000 K	CRI > 90	680 lm	350 mA	32 mm
12924384	6 W	38°	3.500 K	CRI > 80	730 lm	350 mA	32 mm
12924604	6 W	60°	3.500 K	CRI > 80	770 lm	350 mA	32 mm
12928384	6 W	38°	3.500 K	CRI > 90	680 lm	350 mA	32 mm
12923384	6 W	38°	4.000 K	CRI > 80	770 lm	350 mA	32 mm
12923604	6 W	60°	4.000 K	CRI > 80	790 lm	350 mA	32 mm
12927384	6 W	38°	4.000 K	CRI > 90	720 lm	350 mA	32 mm
12920183	6 W	18°	3.000 K	CRI > 80	740 lm	350 mA	31 mm
12920243	6 W	24°	3.000 K	CRI > 80	760 lm	350 mA	31 mm
12920003	6 W	38°	3.000 K	CRI > 80	780 lm	350 mA	31 mm
12920603	6 W	60°	3.000 K	CRI > 80	760 lm	350 mA	31 mm
12920184	6 W	18°	4.000 K	CRI > 80	780 lm	350 mA	31 mm
12920244	6 W	24°	4.000 K	CRI > 80	790 lm	350 mA	31 mm
12920004	6 W	38°	4.000 K	CRI > 80	810 lm	350 mA	31 mm
12920604	6 W	60°	4.000 K	CRI > 80	780 lm	350 mA	31 mm
12963383	6 W	38°	3.000 K - 1.800 K	CRI > 90	460 lm	350 mA	32 mm
12963603	6 W	60°	3.000 K - 1.800 K	CRI > 90	460 lm	350 mA	32 mm
12823003	8 W	60°	2.850 K	CRI > 90	900 lm	24.00 V	50 mm
12843004	8 W	60°	2.000 K - 6.500 K	CRI > 90	640 lm	24.00 V	50 mm
18438002	8 W	60°	RGB+WW	CRI > 90	400 lm	24.00 V	50 mm
12929503	6.3 W	50°	2.700 K / 3.000 K / 4.000 K	CRI > 80	971 lm	350 mA	34 mm

Required accessories

Article no.: 17665000

LED converter 350 mA, switchable

Power: 1 - 3,2 W, Plug&Play

Dimensions: 52 mm x 30 mm x 23 mm

https://www.brumberg.com/fileadmin/products/Datenblatt_17665000_2021_DE.pdf

Article no.: 17662000

LED converter 350 mA, on/off switchable

Power: 1 - 7,2 W, Plug&Play

Dimensions: 68 mm x 35 mm x 21 mm

https://www.brumberg.com/fileadmin/products/Datenblatt_17662000_2021_DE.pdf

Article no.: 17652000

LED-round converter 350 mA, trailing-edge phase dimmer

Power: 4,9 - 7 W, Plug&Play

Dimensions: 51 mm x 24 mm

https://www.brumberg.com/fileadmin/products/Datenblatt_17652000_2021_DE.pdf

Article no.: 17658000

LED round converter 350 mA, DALI dimmable (digital)

Power: 2,1 - 9 W, Plug&Play

Dimensions: 56 mm x 25 mm

https://www.brumberg.com/fileadmin/products/Datenblatt_17658000_2021_DE.pdf