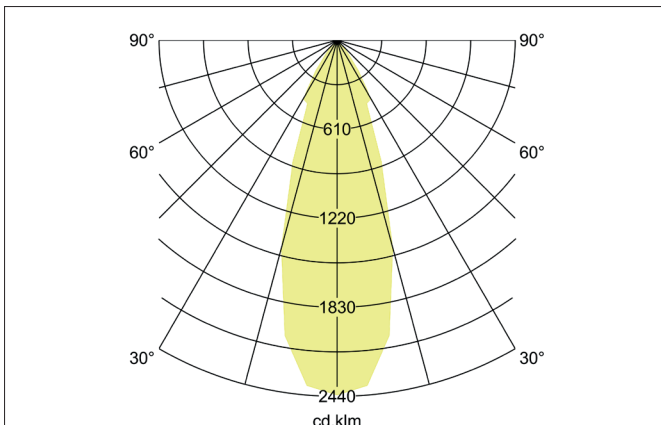
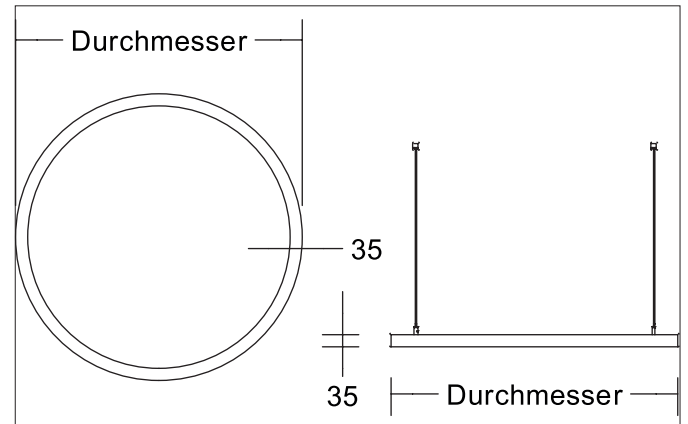


**DEVON LED Pendant Ring Light, Casambi dimmable**  
 Article no. 84010183CA

**Tender**

Round LED pendant ring luminaire, luminaire diameter 800 mm, height 35 mm, for pendant mounting. Pendant length max. 5,000 mm Weight 6.000 kg, black / silver reflector with rotationally symmetrical narrow-wide beam light distribution. Opal plastic cover, rated luminous flux 4,500 lm, UGR < 19, rated wattage 1 x 34 W, warm white light color, most similar color temperature (CCT) 3,000 K, general color rendering index CRI > 80, service life L70/B50 at 25 °C: 50,000 h, housing material: aluminium / steel / plastic, color: textured black, permissible ambient temperature (ta): -20 °C - +25 °C, protection class (EN 61140): I, degree of protection (DIN EN 60529): IP20. With electronic control gear, Casambi dimmable.

Article data	
Article no.	84010183CA
GTIN	4255752508564
Series name	DEVON
Short description	LED Pendant Ring Light, Casambi dimmable
Material	Aluminium / Steel / Plastic
Colour	Black
Type of surface	Structure
Shape	Round
Outer diameter	800 mm
Hight	35 mm
Weight	6.000 kg
Conformance	CE, UKCA

**DEVON LED Pendant Ring Light, Casambi dimmable**

Article no. 84010183CA

Lighting technology	
Colour temperature	3.000 K
Light colour	White
Light output	Direct
Luminous flux	4,500 lm
System efficiency	132 lm/W
McAdam-Step	McAdam-Step 3
Colour rendering	CRI > 80
Reflector	hochglänzend / facettiert
Reflector colour	schwarz / silber
Reflector material	Polycarbonate
Beam angle	36°
Glare evaluation	UGR < 19
Light sharing	Symmetric
Adjustable color temperature	No

Operating technology of the luminaire	
System output	34 W
Voltage type	AC
AC nominal voltage max	230 V
Frequency max	50 Hz
Lamp	LED
Lamp holder	Without fitting
Protection class	I
Degree of protection	IP20
Dimmable	Yes
Control	Casambi
Bulb change possible	The light source of this luminaire may only be replaced by the manufacturer or a service technician commissioned by him or a similarly qualified person.
Rated life time L70/B50 at 25 °C	50,000 h
Energy efficiency class	nicht erforderlich

Mounting technology	
Mounting method	Suspended
Place of installation	Ceiling-mounted
Adjustability	Not adjustable
Pendulum length min.	1,000 mm
Pendulum length max.	5,000 mm
Pendant length single suspension	1.000 - 5.000 mm
Pendulum length centre canopy	1000 - 5000 mm
Number of cable suspensions	3
Material cover	Plastic, opal
Suitable for through-wiring	No

Packing data	
Gross weight	7 kg
Length of packaging	830 mm
Packaging width	830 mm
Packaging height	90 mm
Disposal at end of life	This product must not be disposed of with household waste. You are obliged, to dispose of such electrical waste separately. By disposing of electrical waste and other old or defective electronics separately, you support recycling or other forms of re-use. In that way you help to take care and to avoid that harmful substances get into the environment.

**DEVON LED Pendant Ring Light, Casambi dimmable**

Article no. 84010183CA

Optional accessories
Article no.: 8201000DG Acoustic-Kit, D=800mm  Dimensions: 800 mm x 35 mm <a href="https://www.brumberg.com/fileadmin/products/Datenblatt_8201000DG_2021_DE.pdf">https://www.brumberg.com/fileadmin/products/Datenblatt_8201000DG_2021_DE.pdf</a>
Article no.: 8201000HG Acoustic-Kit, D=800mm  Dimensions: 800 mm x 35 mm <a href="https://www.brumberg.com/fileadmin/products/Datenblatt_8201000HG_2021_DE.pdf">https://www.brumberg.com/fileadmin/products/Datenblatt_8201000HG_2021_DE.pdf</a>
Article no.: 8201000BL Acoustic-Kit, D=800mm  Dimensions: 800 mm x 35 mm <a href="https://www.brumberg.com/fileadmin/products/Datenblatt_8201000BL_2021_DE.pdf">https://www.brumberg.com/fileadmin/products/Datenblatt_8201000BL_2021_DE.pdf</a>
Article no.: 8201000GR Acoustic-Kit, D=800mm  Dimensions: 800 mm x 35 mm <a href="https://www.brumberg.com/fileadmin/products/Datenblatt_8201000GR_2021_DE.pdf">https://www.brumberg.com/fileadmin/products/Datenblatt_8201000GR_2021_DE.pdf</a>
Article no.: 8201000GE Acoustic-Kit, D=800mm  Dimensions: 800 mm x 35 mm <a href="https://www.brumberg.com/fileadmin/products/Datenblatt_8201000GE_2021_DE.pdf">https://www.brumberg.com/fileadmin/products/Datenblatt_8201000GE_2021_DE.pdf</a>
Article no.: 8201000OR Acoustic-Kit, D=800mm  Dimensions: 800 mm x 35 mm <a href="https://www.brumberg.com/fileadmin/products/Datenblatt_8201000OR_2021_DE.pdf">https://www.brumberg.com/fileadmin/products/Datenblatt_8201000OR_2021_DE.pdf</a>
Article no.: 8201000RO Acoustic-Kit, D=800mm  Dimensions: 800 mm x 35 mm <a href="https://www.brumberg.com/fileadmin/products/Datenblatt_8201000RO_2021_DE.pdf">https://www.brumberg.com/fileadmin/products/Datenblatt_8201000RO_2021_DE.pdf</a>