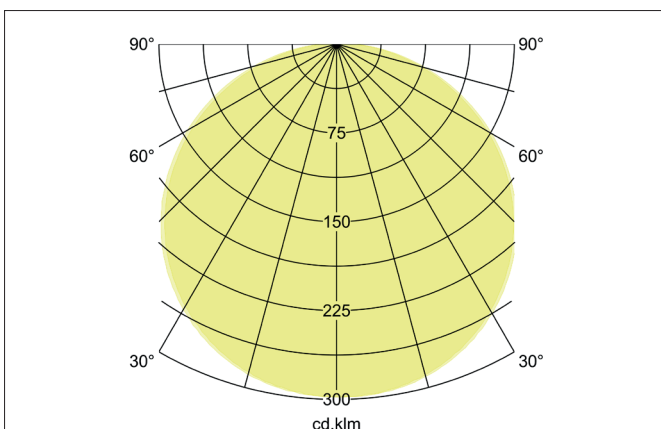
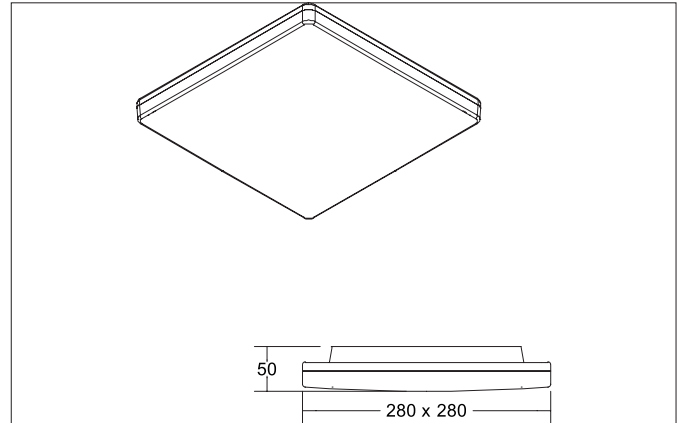


BYAM-S MIDI LED Surface-mounted ceiling light, 3CCT, Multipower**13/18 W, IP65, switchable**

Article no. 12514073

Light.
For Generations.**Tender**

LED Surface-mounted ceiling light, 3CCT, Multipower 13/18 W, IP65, switchable, Square. Luminaire length 280.0 mm, Luminaire width 280.0 mm, Height 50.0 mm Weight 1.0 kg, with rotationssymmetrical, deep, wide distributed light intensity. optimal light distribution due to a plastic, opal cover. Luminous flux 1.881 lm, Power 1 x 18 W, Light colour warm white to daylight white, Correlated color temperature (CCT) 3.000 - 5.700 K, Colour rendering index CRI > 80, Rated life time L70/B50 at 25 °C: 50.000 h, Housing material: Plastic, Colour: White, Permissible ambient temperature (ta): -20 °C - +25 °C, Protection class (EN 61140): II, Degree of protection (DIN EN 60529): IP65, shock resistance according to IEC62262: IK10 .With electronic driver, on/off switchable.

Product Benefits

- Flache Anbauleuchte (Länge 280 mm, Breite 280 mm, Höhe 50 mm, mit Multipower-Funktion 13 W / 18 W) zur Decken- oder Wandmontage.
- 3 CCT einstellbar: 3.000 K / 4.000 K / 5.700 K.
- Lichtströme 18 W: 3.000 K: 1.881 lm, 4.000 K: 2.052 lm, 5.700 K: 1.967 lm
- In drei Größen und 2 Formen (rund / quadratisch) verfügbar.
- Schaltbare Ausführung.

BYAM-S MIDI LED Surface-mounted ceiling light, 3CCT, Multipower**13/18 W, IP65, switchable**

Article no. 12514073

Light.
For Generations.

Article data	
Article no.	12514073
GTIN	4255752500834
Series name	BYAM-S MIDI
Short description	LED Surface-mounted ceiling light, 3CCT, Multipower 13/18 W, IP65, switchable
Material	Plastic
Colour	White
Type of surface	Matt
Shape	Square
Length	280 mm
Width	280 mm
Hight	50 mm
Scope of delivery	inkl. Konverter mit Leistungs- und Farbtemperaturwahlmöglichkeit zum Anschluss an 230 V-Netzspannung, schaltbar
Weight	1.000 kg
stamp	UKCA
Conformance	UKCA

Lighting technology	
Colour temperature	3.000 K / 4.000 K / 5.700 K
Light colour	White
Light output	Direct
Luminous flux	1,881 lm
System efficiency	104 lm/W
Colour rendering	CRI > 80
Beam angle	120°
Light sharing	Symmetric
Adjustable color temperature	Stages

Operating technology of the luminaire	
System output	18 W
Voltage type	AC
AC nominal voltage max	230 V
Frequency max	50 Hz
Lamp	LED
Protection class	II
Degree of protection	IP65
Dimmable	No
Control	on/off
Bulb change possible	No
Rated life time L70/B50 at 25 °C	50,000 h

Mounting technology	
Mounting method	Surface mounting
Place of installation	Ceiling-mounted
Adjustability	Not adjustable
Impact resistance	IK10
Material cover	Plastic, opal

BYAM-S MIDI LED Surface-mounted ceiling light, 3CCT, Multipower**13/18 W, IP65, switchable**

Article no. 12514073

Light.

For Generations.

Packing data	
Gross weight	1.05 kg
Length of packaging	290 mm
Packaging width	290 mm
Packaging height	60 mm
Disposal at end of life	<p>This product must not be disposed of with household waste. You are obliged, to dispose of such electrical waste separately.</p> <p>By disposing of electrical waste and other old or defective electronics separately, you support recycling or other forms of re-use. In that way you help to take care and to avoid that harmful substances get into the environment.</p>