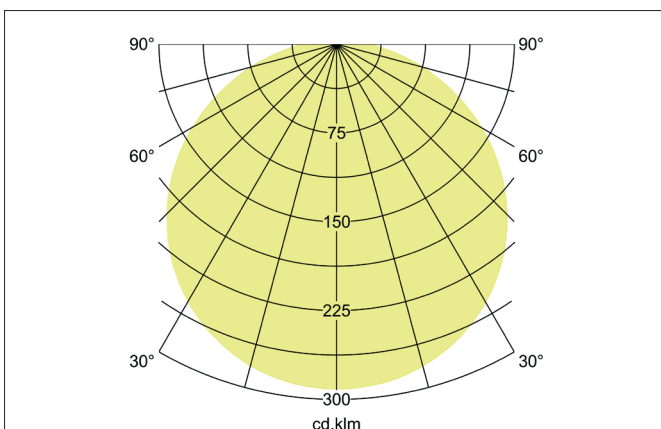
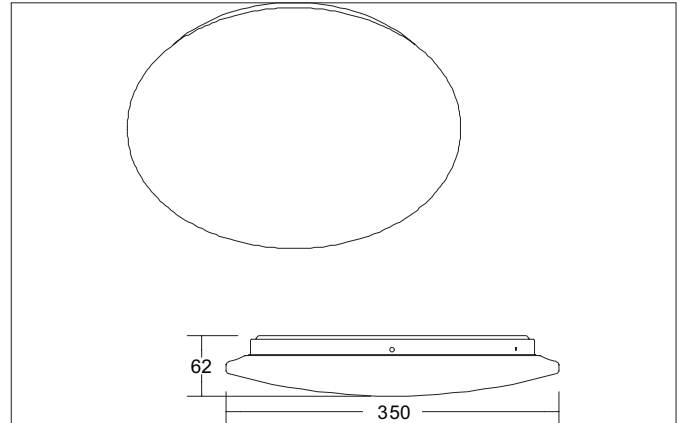


PANAY MIDI LED surface-mounted ceiling light, switchable, with microwave motion sensor

Article no. 12577073

Light.
For Generations.**Tender**

LED surface-mounted ceiling light, switchable, with microwave motion sensor, Round. Luminaire diameter 350.0 mm, Height 62.0 mm Weight 0.38 kg, with rotationssymmetrical, deep, wide distributed light intensity. optimal light distribution due to a plastic, opal cover. Luminous flux 1.880 lm, Power 1 x 18 W, Light colour warm white, Correlated color temperature (CCT) 3.000 K, Colour rendering index CRI > 80, Rated life time L70/B50 at 25 °C: 50.000 h, Housing material: Steel / Plastic, Colour: White, Permissible ambient temperature (ta): -20 °C - +25 °C, Protection class (EN 61140): I, Degree of protection (DIN EN 60529): IP20, shock resistance according to IEC62262: IK05. With electronic driver, on/off switchable.

Product Benefits

- Preisinteressante Decken- oder Wandenbauleuchte in runder Bauform.
- Ausführung 3.000 K, schaltbar, mit Mikrowellen-Sensor.
- Drei verschiedene Größen verfügbar.
- Zusätzlich in Ausführung 3CCT (3.000 K / 4.000 K / 6.000 K) und Phasenabschnitt dimmbar lieferbar.

PANAY MIDI LED surface-mounted ceiling light, switchable, with microwave motion sensor

Article no. 12577073

Light.
For Generations.

| Article data | |
|-------------------|--|
| Article no. | 12577073 |
| GTIN | 4255752500667 |
| Series name | PANAY MIDI |
| Short description | LED surface-mounted ceiling light, switchable, with microwave motion sensor |
| Material | Steel / Plastic |
| Colour | White |
| Type of surface | Glossy |
| Shape | Round |
| Outer diameter | 350 mm |
| Hight | 62 mm |
| Scope of delivery | inkl. Konverter zum Anschluss an 230 V-Netzspannung, schaltbar und Mikrowellen-Bewegungssensor |
| Weight | 0.380 kg |

| Lighting technology | |
|------------------------------|-----------|
| Colour temperature | 3.000 K |
| Light colour | White |
| Light output | Direct |
| Luminous flux | 1,880 lm |
| System efficiency | 104 lm/W |
| Colour rendering | CRI > 80 |
| Beam angle | 120° |
| Light sharing | Symmetric |
| Adjustable color temperature | No |

| Operating technology of the luminaire | |
|---------------------------------------|--|
| System output | 18 W |
| Voltage type | AC |
| AC nominal voltage max | 230 V |
| Frequency max | 50 Hz |
| Lamp | LED |
| Protection class | I |
| Degree of protection | IP20 |
| Dimmable | No |
| Control | on/off |
| Bulb change possible | The light source of this luminaire may only be replaced by the manufacturer or a service technician commissioned by him or a similarly qualified person. |
| Rated life time L70/B50 at 25 °C | 50,000 h |

| Mounting technology | |
|-----------------------|------------------|
| Mounting method | Surface mounting |
| Place of installation | Ceiling-mounted |
| Adjustability | Not adjustable |
| Impact resistance | IK05 |
| stamp | UKCA |
| Material cover | Plastic, opal |

| Packing data | |
|-------------------------|---|
| Gross weight | 0.42 kg |
| Length of packaging | 360 mm |
| Packaging width | 360 mm |
| Packaging hight | 70 mm |
| Disposal at end of life | This product must not be disposed of with household waste. You are obliged, to dispose of such electrical waste separately. By disposing of electrical waste and other old or defective electronics separately, you support recycling or other forms of re-use. In that way you help to take care and to avoid that harmful substances get into the environment. |

PANAY MIDI LED surface-mounted ceiling light, switchable, with microwave motion sensor

Article no. 12577073

Light.
For Generations.