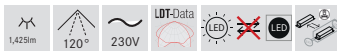
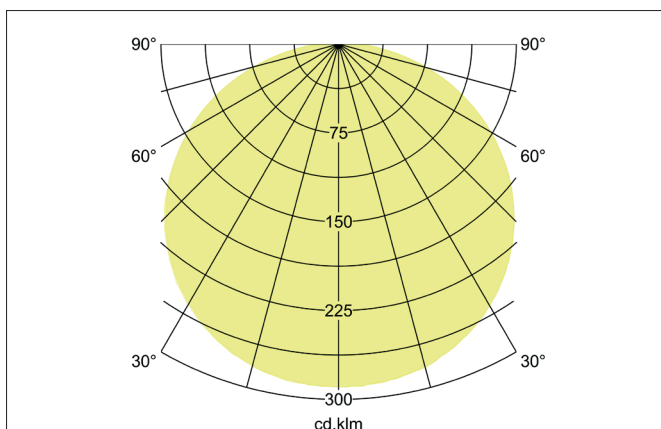
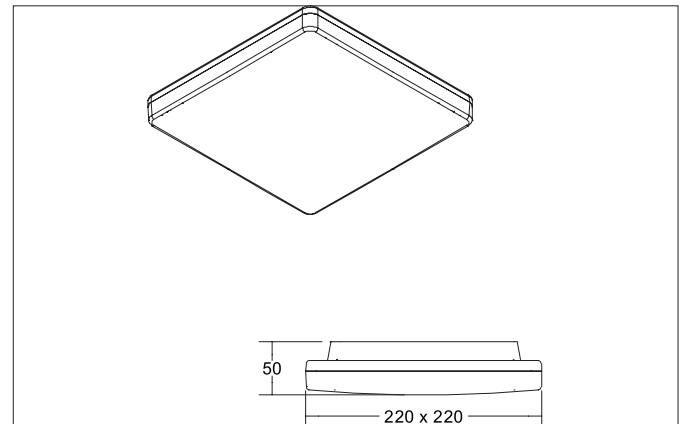


BYAM-S MINI LED Surface-mounted ceiling light, 3CCT, Multipower**10/15 W, IP65, switchable**

Article no. 12513073

Light.
For Generations.**Tender**

LED Surface-mounted ceiling light, 3CCT, Multipower 10/15 W, IP65, switchable, Square. Luminaire length 220.0 mm, Luminaire width 220.0 mm, Height 50.0 mm Weight 0.645 kg, with rotationssymmetrical, deep, wide distributed light intensity. optimal light distribution due to a plastic, opal cover. Luminous flux 1.425 lm, Power 1 x 15 W, Light colour warm white to daylight white, Correlated color temperature (CCT) 3.000 - 5.700 K, Colour rendering index CRI > 80, Rated life time L70/B50 at 25 °C: 50.000 h, Housing material: Plastic, Colour: White, Permissible ambient temperature (ta): -20 °C - +25 °C, Protection class (EN 61140): II, Degree of protection (DIN EN 60529): IP65, shock resistance according to IEC62262: IK10 .With electronic driver, on/off switchable.

Product Benefits

- Flache Anbauleuchte (Länge 220 mm, Breite 220 mm, Höhe 50 mm, mit Multipower-Funktion 10 W / 15 W) zur Decken- oder Wandmontage.
- 3 CCT einstellbar: 3.000 K / 4.000 K / 5.700 K.
- Lichtströme 15 W: 3.000 K: 1.425 lm, 4.000 K: 1.568 lm, 5.700 K: 1.496 lm
- In drei Größen und 2 Formen (rund / quadratisch) verfügbar.
- Schaltbare Ausführung.

**BYAM-S MINI LED Surface-mounted ceiling light, 3CCT, Multipower
10/15 W, IP65, switchable**

Article no. 12513073

Light.
For Generations.

Article data	
Article no.	12513073
GTIN	4255752500803
Series name	BYAM-S MINI
Short description	LED Surface-mounted ceiling light, 3CCT, Multipower 10/15 W, IP65, switchable
Material	Plastic
Colour	White
Type of surface	Matt
Shape	Square
Length	220 mm
Width	220 mm
Hight	50 mm
Scope of delivery	inkl. Konverter mit Leistungs- und Farbtemperaturwahlmöglichkeit zum Anschluss an 230 V-Netzspannung, schaltbar
Weight	0.645 kg
stamp	UKCA
Conformance	UKCA

Lighting technology	
Colour temperature	3.000 K / 4.000 K / 5.700 K
Light colour	White
Light output	Direct
Luminous flux	1,425 lm
System efficiency	95 lm/W
Colour rendering	CRI > 80
Beam angle	120°
Light sharing	Symmetric
Adjustable color temperature	Stages

Operating technology of the luminaire	
System output	15 W
Voltage type	AC
AC nominal voltage max	230 V
Frequency max	50 Hz
Lamp	LED
Protection class	II
Degree of protection	IP65
Dimmable	No
Control	on/off
Bulb change possible	No
Rated life time L70/B50 at 25 °C	50,000 h

Mounting technology	
Mounting method	Surface mounting
Place of installation	Ceiling-mounted
Adjustability	Not adjustable
Impact resistance	IK10
Material cover	Plastic, opal

BYAM-S MINI LED Surface-mounted ceiling light, 3CCT, Multipower**10/15 W, IP65, switchable**

Article no. 12513073

Light.

For Generations.

Packing data	
Gross weight	0.695 kg
Length of packaging	230 mm
Packaging width	230 mm
Packaging height	60 mm
Disposal at end of life	<p>This product must not be disposed of with household waste. You are obliged, to dispose of such electrical waste separately.</p> <p>By disposing of electrical waste and other old or defective electronics separately, you support recycling or other forms of re-use. In that way you help to take care and to avoid that harmful substances get into the environment.</p>