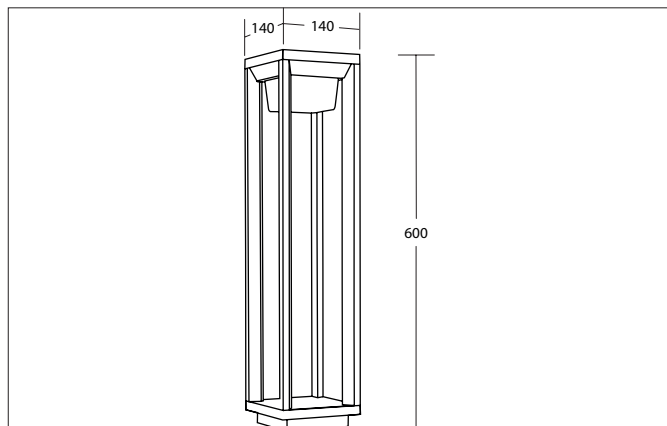


LEVU LED bollard light, IP54, H: 600 mm, switchable

Article no. 65382103



Tender
LED bollard light, IP54, H: 600 mm, switchable, Other., Hight 600.0 mm Weight 1.59 kg, with rotattionssymmetrical, deep, wide distributed light intensity.. with Lamp holder LED max: 6,6 W , Delivery without bulb.Housing material: Die-cast aluminium / Plastic, Colour: Graphite, Permissible ambient temperature (ta): -20 to +45°C, Protection class (EN 6 1 140): I, Degree of protection (DIN EN 60529): IP54. For connection to an external driver, which is not included in the scope of delivery of the luminaire. dimmable.

Article data	
Article no.	65382103
GTIN	4255752502715
Series name	LEVU
Short description	LED bollard light, IP54, H: 600 mm, switchable
Material	Die-cast aluminium / Plastic
Colour	Graphite
Type of surface	Structure
Shape	Other
Hight	600 mm
Scope of delivery	incl. converter for connection to 230 V mains voltage, switchable
Weight	1.590 kg
Conformance	CE, UKCA

LEVU LED bollard light, IP54, H: 600 mm, switchable

Article no. 65382103

Lighting technology	
Colour temperature	3.000 K
Light colour	White
Light output	Direct
Luminous flux	425 lm
System efficiency	64 lm/W
Colour rendering	CRI > 80
Reflector	Without
Beam angle	120°
Light sharing	Symmetric
Adjustable color temperature	No

Operating technology of the luminaire	
System output	6.6 W
Voltage type	AC
AC nominal voltage max	230 V
Frequency max	50 Hz
Frequency min	50 Hz
Lamp	LED
Lamp holder	LED
Protection class	I
Degree of protection	IP54
Ambient temperature	-20 to +45°C
Dimmable	No
Bulb change possible	Yes

Mounting technology	
Mounting method	Surface mounting
Place of installation	Floor-mounted
Adjustability	Not adjustable
Swivel angle	0°
Further references	Outdoor
Circlip	Without circlip

Packing data	
Gross weight	1.59 kg
Length of packaging	150 mm
Packaging width	150 mm
Packaging height	610 mm
Disposal at end of life	<p>This product must not be disposed of with household waste. You are obliged, to dispose of such electrical waste separately.</p> <p>By disposing of electrical waste and other old or defective electronics separately, you support recycling or other forms of re-use. In that way you help to take care and to avoid that harmful substances get into the environment.</p>