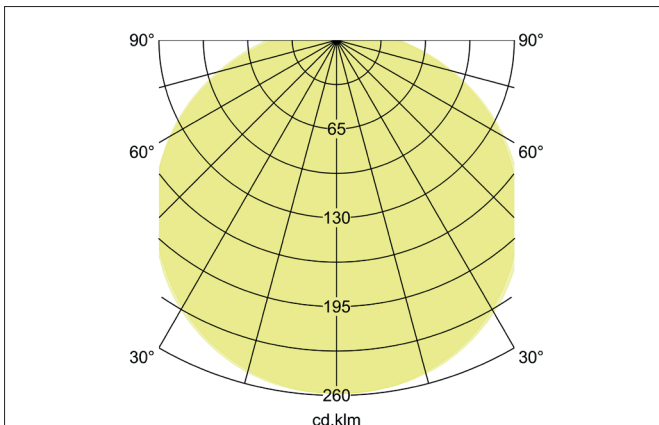
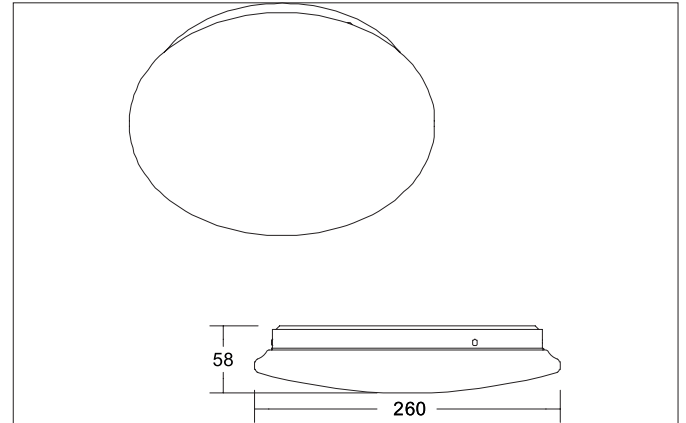


PANAY MINI LED surface-mounted ceiling light, 3CCT, trailing edge**dimmable**

Article no. 12573073

Light.
For Generations.**Tender**

LED surface-mounted ceiling light, 3CCT, trailing edge dimmable, Round. Luminaire diameter 260.0 mm, Height 58.0 mm Weight 0.19 kg, with rotationssymmetrical, deep, wide distributed light intensity. optimal light distribution due to a plastic, opal cover. Luminous flux 700 lm, Power 1 x 12 W, Light colour warm white to daylight white, Correlated color temperature (CCT) 3.000 - 6.000 K, Colour rendering index CRI > 80, Rated life time L70/B50 at 25 °C: 50.000 h, Housing material: Steel / Plastic, Colour: White, Permissible ambient temperature (ta): -20 °C - +25 °C, Protection class (EN 61140): I, Degree of protection (DIN EN 60529): IP20, shock resistance according to IEC62262: IK05. With electronic driver, Trailing-edge phase dimmable.

Product Benefits

- Preisinteressante Decken- oder Wandanbauleuchte in runder Bauform.
- 3CCT: drei verschiedene Farbtemperaturen einstellbar: 3.000 K, 4.000 K oder 6.000 K.
- Drei verschiedene Größen verfügbar.
- Zusätzlich in Ausführung „mit Mikrowellen-Sensor“ verfügbar.
- Phasenabschnitt dimmbar.

PANAY MINI LED surface-mounted ceiling light, 3CCT, trailing edge dimmable

Article no. 12573073

Light.
For Generations.

Article data	
Article no.	12573073
GTIN	4255752500629
Series name	PANAY MINI
Short description	LED surface-mounted ceiling light, 3CCT, trailing edge dimmable
Material	Steel / Plastic
Colour	White
Type of surface	Glossy
Shape	Round
Outer diameter	260 mm
Hight	58 mm
Scope of delivery	inkl. Konverter zum Anschluss an 230 V-Netzspannung, Phasenabschnitt dimmbar
Weight	0.190 kg
Conformance	UKCA

Lighting technology	
Colour temperature	3.000 K / 4.000 K / 6.000 K
Light colour	White
Light output	Direct
Luminous flux	700 lm
System efficiency	58 lm/W
Colour rendering	CRI > 80
Beam angle	120°
Light sharing	Symmetric
Adjustable color temperature	Stages

Operating technology of the luminaire	
System output	12 W
Voltage type	AC
AC nominal voltage max	230 V
Frequency max	50 Hz
Lamp	LED
Protection class	I
Degree of protection	IP20
Dimmable	Yes
Control	Trailing-edge phase
Bulb change possible	The light source of this luminaire may only be replaced by the manufacturer or a service technician commissioned by him or a similarly qualified person.
Rated life time L70/B50 at 25 °C	50,000 h

Mounting technology	
Mounting method	Surface mounting
Place of installation	Ceiling-mounted
Adjustability	Not adjustable
Impact resistance	IK05
Material cover	Plastic, opal

Packing data	
Gross weight	0.23 kg
Length of packaging	270 mm
Packaging width	270 mm
Packaging hight	65 mm
Disposal at end of life	This product must not be disposed of with household waste. You are obliged, to dispose of such electrical waste separately. By disposing of electrical waste and other old or defective electronics separately, you support recycling or other forms of re-use. In that way you help to take care and to avoid that harmful substances get into the environment.