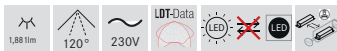
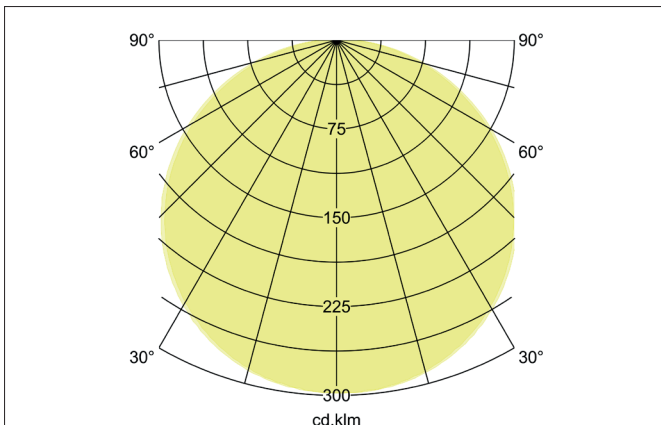
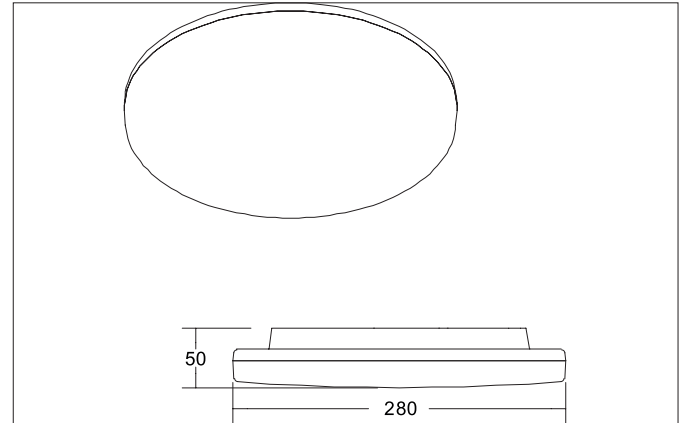


BYAM-R MIDI LED Surface-mounted ceiling light, 3CCT, Multipower**13/18 W, IP65, switchable**

Article no. 12511073

Light.
For Generations.**Tender**

LED Surface-mounted ceiling light, 3CCT, Multipower 13/18 W, IP65, switchable, Round. Luminaire diameter 280.0 mm, Height 50.0 mm
 Weight 1.0 kg, with rotationssymmetrical, deep, wide distributed light intensity. optimal light distribution due to a cover. Luminous flux 1.881 lm, Power 1 x 18 W, Light colour warm white to daylight white, Correlated color temperature (CCT) 3.000 - 5.700 K, Colour rendering index CRI > 80, Rated life time L70/B50 at 25 °C: 50.000 h, Housing material: Plastic, Colour: White, Permissible ambient temperature (ta): -20 °C - +25 °C, Protection class (EN 61140): II, Degree of protection (DIN EN 60529): IP65, shock resistance according to IEC62262: IK10 .With electronic driver, on/off switchable.

Product Benefits

- Flache Anbauleuchte (Durchmesser 280 mm, Höhe 50 mm, mit Multipower-Funktion 13 W / 18 W) zur Decken- oder Wandmontage.
- 3 CCT einstellbar: 3.000 K / 4.000 K / 5.700 K.
- Lichtströme 18 W: 3.000 K: 1.881 lm, 4.000 K: 2.052 lm, 5.700 K: 1.967 lm
- In drei Größen und 2 Formen (rund / quadratisch) verfügbar.
- Schaltbare Ausführung.

BYAM-R MIDI LED Surface-mounted ceiling light, 3CCT, Multipower**13/18 W, IP65, switchable**

Article no. 12511073

Light.
For Generations.

Article data	
Article no.	12511073
GTIN	4255752500810
Series name	BYAM-R MIDI
Short description	LED Surface-mounted ceiling light, 3CCT, Multipower 13/18 W, IP65, switchable
Material	Plastic
Colour	White
Type of surface	Matt
Shape	Round
Outer diameter	280 mm
Hight	50 mm
Scope of delivery	inkl. Konverter mit Leistungs- und Farbtemperaturwahlmöglichkeit zum Anschluss an 230 V-Netzspannung, schaltbar
Weight	1.000 kg
stamp	UKCA
Conformance	UKCA

Lighting technology	
Colour temperature	3.000 K / 4.000 K / 5.700 K
Light colour	White
Light output	Direct
Luminous flux	1,881 lm
System efficiency	104 lm/W
Colour rendering	CRI > 80
Beam angle	120°
Light sharing	Symmetric
Adjustable color temperature	Stages

Operating technology of the luminaire	
System output	18 W
Voltage type	AC
AC nominal voltage max	230 V
Frequency max	50 Hz
Lamp	LED
Protection class	II
Degree of protection	IP65
Dimmable	No
Control	on/off
Bulb change possible	No
Rated life time L70/B50 at 25 °C	50,000 h

Mounting technology	
Mounting method	Surface mounting
Place of installation	Ceiling-mounted
Adjustability	Not adjustable
Impact resistance	IK10
Material cover	

Packing data	
Gross weight	1.05 kg
Length of packaging	290 mm
Packaging width	290 mm
Packaging hight	60 mm
Disposal at end of life	This product must not be disposed of with household waste. You are obliged, to dispose of such electrical waste separately. By disposing of electrical waste and other old or defective electronics separately, you support recycling or other forms of re-use. In that way you help to take care and to avoid that harmful substances get into the environment.

**BYAM-R MIDI LED Surface-mounted ceiling light, 3CCT, Multipower
13/18 W, IP65, switchable**
Article no. 12511073

Light.
For Generations.