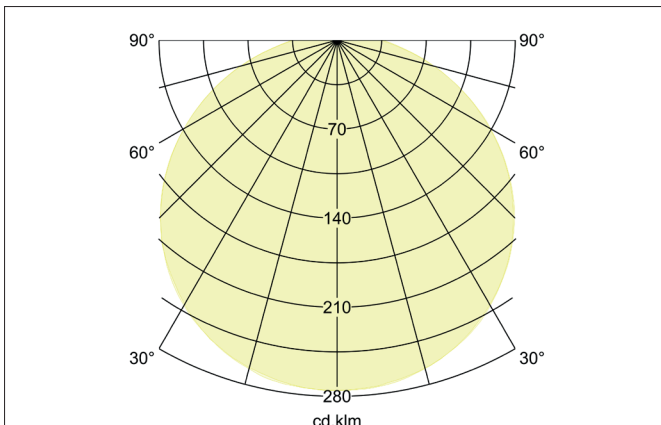
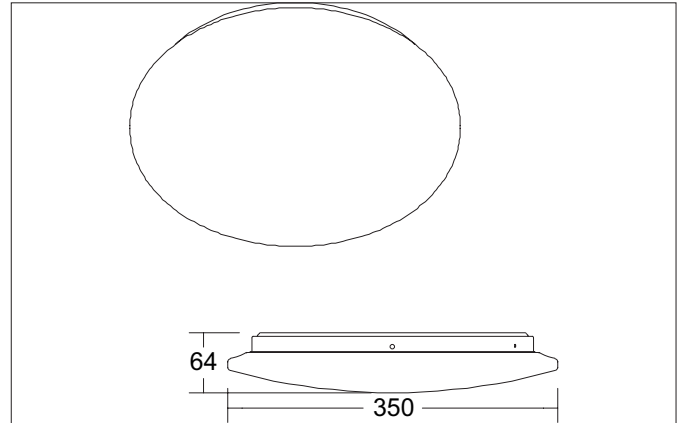


PANAY MIDI LED surface-mounted ceiling light, 3CCT, trailing edge
dimmable

Article no. 12574073


Tender

Surface-mounted LED ceiling downlight, 3CCT, trailing edge dimmable, luminaire diameter 350 mm, height 64 mm, weight 0.380 kg, with rotationally symmetrical narrow-wide beam light distribution. Opal plastic cover, rated luminous flux 1,610 lm, rated wattage 1 x 19 W, light color warm white to daylight white, most similar color temperature (CCT) 3,000 - 6,500 K, general color rendering index CRI > 80, service life L70/B50 at 25 °C: 50,000 h, housing material: steel / plastic, color: white, permissible ambient temperature (ta): -20 °C - +25 °C, protection class (EN 61140): I, degree of protection (DIN EN 60529): IP20, degree of impact resistance according to IEC62262: IK05. With electronic control gear, dimmable trailing edge.

Product Benefits

- Attractively priced surface-mounted ceiling or wall light in a round design.
- 3CCT: three different color temperatures can be set: 3,000 K, 4,000 K or 6,000 K.
- Three different sizes available.
- Also available in „with microwave sensor” version.
- Phase section dimmable.

PANAY MIDI LED surface-mounted ceiling light, 3CCT, trailing edge dimmable

Article no. 12574073

Article data	
Article no.	12574073
GTIN	4255752500636
Series name	PANAY MIDI
Short description	LED surface-mounted ceiling light, 3CCT, trailing edge dimmable
Material	Steel / Plastic
Colour	White
Type of surface	Glossy
Shape	Round
Outer diameter	350 mm
Height	64 mm
Scope of delivery	incl. converter for connection to 230 V mains voltage, phase cut-off dimmable
Weight	0.380 kg
Conformance	UKCA

Lighting technology	
Colour temperature	3.000 K / 4.000 K / 6.500 K
Light colour	White
Color Temperature 1	3,000 K
Color Temperature 2	4,000 K
Color Temperature 3	6,500 K
Light output	Direct
Luminous flux	1,610 lm
Luminous flux 1	1,610 lm
Luminous flux 2	1,800 lm
Luminous flux 3	1,760 lm
System efficiency	85 lm/W
Colour rendering	CRI > 80
Beam angle	120°
Light sharing	Symmetric
Adjustable color temperature	Stages

Operating technology of the luminaire	
System output	19 W
Voltage type	AC
AC nominal voltage max	230 V
Frequency max	50 Hz
Lamp	LED
Protection class	I
Degree of protection	IP20
Dimmable	Yes
Control	Trailing-edge phase
Bulb change possible	The light source of this luminaire may only be replaced by the manufacturer or a service technician commissioned by him or a similarly qualified person.
Rated life time L70/B50 at 25 °C	50,000 h

Mounting technology	
Mounting method	Surface mounting
Place of installation	Ceiling-mounted
Adjustability	Not adjustable
Impact resistance	IK05
Material cover	Plastic, opal
Suitable for through-wiring	Yes

**PANAY MIDI LED surface-mounted ceiling light, 3CCT, trailing edge
dimmable**

Article no. 12574073

Packing data	
Gross weight	0.42 kg
Length of packaging	360 mm
Packaging width	360 mm
Packaging height	70 mm
Disposal at end of life	<p>This product must not be disposed of with household waste. You are obliged, to dispose of such electrical waste separately.</p> <p>By disposing of electrical waste and other old or defective electronics separately, you support recycling or other forms of re-use. In that way you help to take care and to avoid that harmful substances get into the environment.</p>