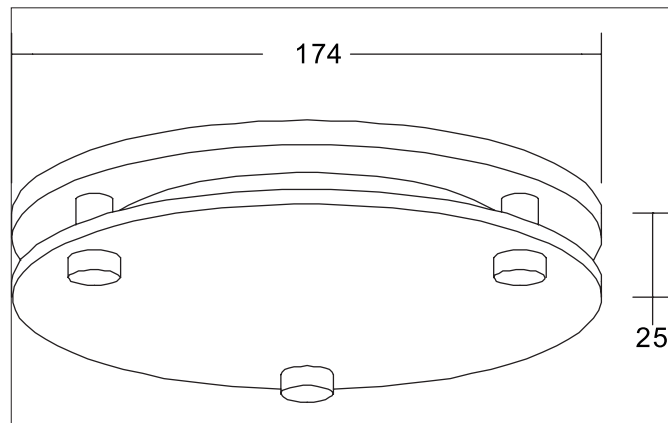


MUNA MINI Cover ring, round, with suspended float glass, partially frosted, for 12564

Article no. 81221070

Light.
For Generations.**Tender**

Cover ring, round, with suspended float glass, partially frosted, for 12564, white matt, Round. Cover ring with suspended float glass, partially frosted for 12564 as a replacement element for the whitewhite ring included in the standard luminaire. Dimensions: Diameter ring 174 mm, height 6 mm, Glass diameter 174 mm, glass thickness 3 mm, Suspension 25 mm. Material: Polycarbonate / Glass, .

Article data	
Article no.	81221070
GTIN	4255752501350
Series name	MUNA MINI
Short description	Cover ring, round, with suspended float glass, partially frosted, for 12564
Material	Polycarbonate / Glass
Colour	White
Type of surface	Matt
Shape	Round
Outer diameter	174 mm
Hight	25 mm
Weight	0.216 kg
Conformance	CE, UKCA

MUNA MINI Cover ring, round, with suspended float glass, partially frosted, for 12564

Article no. 81221070

Light.
For Generations.

Packing data	
Gross weight	0.258 kg
Length of packaging	180 mm
Packaging width	180 mm
Packaging height	30 mm
Disposal at end of life	<p>This product must not be disposed of with household waste. You are obliged, to dispose of such electrical waste separately.</p> <p>By disposing of electrical waste and other old or defective electronics separately, you support recycling or other forms of re-use. In that way you help to take care and to avoid that harmful substances get into the environment.</p>