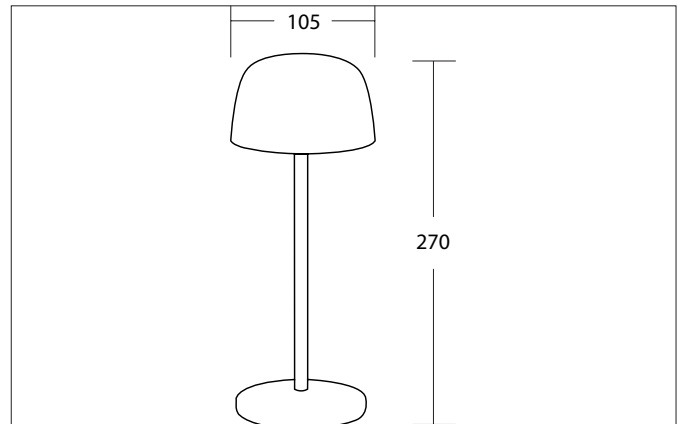




**ROSS LED rechargeable table lamp, IP54, dimmable**  
Article no. 65401183



**Tender**

LED rechargeable desk lamp, Touchdim, IP54, height 270 mm, , luminaire width 105 mm, height 270 mm, weight 0.746 kg, , rated luminous flux 150 lm, rated wattage 1 x 4.8 W, general color rendering index CRI > 80, housing material: die-cast aluminium / plastic, color: black structure, permissible ambient temperature (ta): -20 °C - +25 °C, protection class (EN 61140): III, degree of protection (DIN EN 60529): IP54. With electronic control gear, other dimmable.

Article data	
Article no.	65401183
GTIN	4255752507772
Series name	ROSS
Short description	LED rechargeable table lamp, IP54, dimmable
Material	Die-cast aluminium / Plastic
Colour	black structure
Type of surface	Structure
Width	105 mm
Hight	270 mm
Scope of delivery	inkl. USB-C Ladekabel  - 1 x 3.600 mA Lithium Batterie.  - Ladezeit: 4,5 Std.  - maximale Leuchtendauer: 7,5 Std.
Weight	0.746 kg
Conformance	CE, UKCA


**ROSS LED rechargeable table lamp, IP54, dimmable**

Article no. 65401183

Lighting technology	
Colour temperature	3.000 K
Light colour	white
Light output	Direct
Luminous flux	150 lm
System efficiency	31 lm/W
Colour rendering	CRI > 80
Adjustable color temperature	No

Operating technology of the luminaire	
System output	4.8 W
Voltage type	DC
DC nominal voltage max	5 V
Lamp	LED
Protection class	III
Degree of protection	IP54
Dimmable	Yes
Control	Other
Bulb change possible	The light source of this luminaire may only be replaced by the manufacturer or a service technician commissioned by him or a similarly qualified person.
Energy efficiency class	nicht erforderlich

Mounting technology	
Mounting method	Surface mounting
Place of installation	Table-mounted
Suitable for through-wiring	No

Packing data	
Gross weight	1.132 kg
Length of packaging	145 mm
Packaging width	145 mm
Packaging height	335 mm
Disposal at end of life	This product must not be disposed of with household waste. You are obliged, to dispose of such electrical waste separately. By disposing of electrical waste and other old or defective electronics separately, you support recycling or other forms of re-use. In that way you help to take care and to avoid that harmful substances get into the environment.