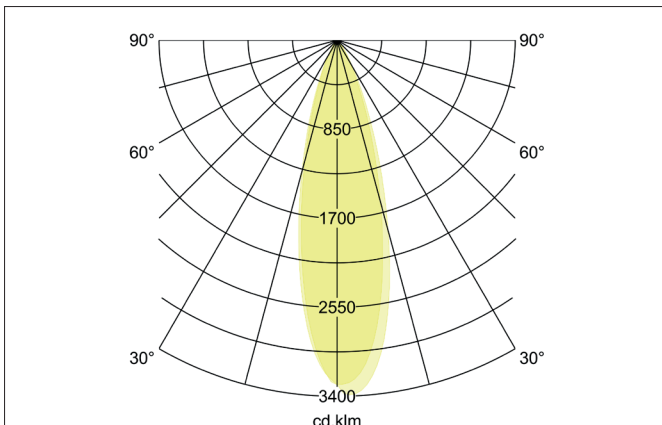
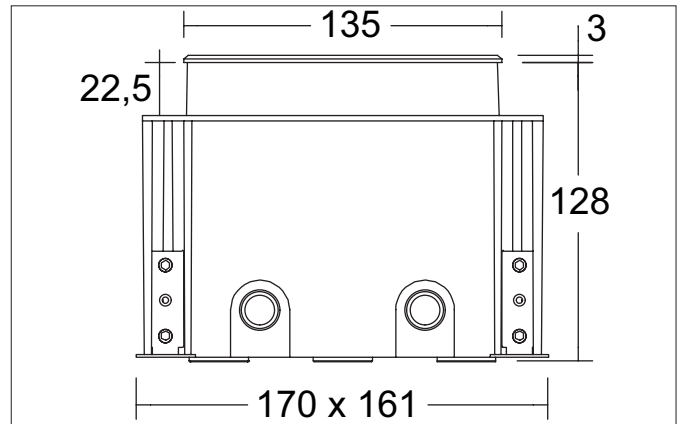




**LANKA-R LED recessed floor light, V4A, IP67, switchable**  
 Article no. 14666223



**Tender**  
 Round LED recessed ceiling & floor light, V4A, IP67, switchable, ceiling cut-out L x W 161 x 170 mm installation depth 128 mm, outer diameter 135 mm, weight 1.58 kg, transparent glass cover, rated luminous flux 920 lm, rated wattage 1 x 8 W, light color warm white, most similar color temperature (CCT) 3.000 K, general color rendering index CRI > 80, housing material: stainless steel / aluminium / glass, color: stainless steel matt, permissible ambient temperature (ta): -20 to +45°C, protection class (EN 61140): I, degree of protection (DIN EN 60529): IP67, degree of impact resistance according to IEC62262: IK08. With electronic control gear, switchable.

**Product Benefits**

- Leuchte kann als Decken- oder Bodeneinbauleuchte verwendet werden.
- Linse kann 30° in beide Richtungen geschwenkt werden.

Lighting technology	
Colour temperature	3.000 K
Light colour	white
Light output	Direct
Luminous flux	920 lm
System efficiency	115 lm/W
Colour rendering	CRI > 80
Beam angle	30°
Light sharing	Symmetric/asymmetric
Adjustable color temperature	No


**LANKA-R LED recessed floor light, V4A, IP67, switchable**

Article no. 14666223

Operating technology of the luminaire	
System output	8 W
Voltage type	AC
AC nominal voltage max	230 V
Frequency max	50 Hz
Lamp	LED
Lamp holder	Without fitting
Protection class	I
Degree of protection	IP67
Ambient temperature	-20 bis +45°C
Dimmable	No
Control	on/off
Length of the connection line	1,000 mm
Bulb change possible	The light source of this luminaire may only be replaced by the manufacturer or a service technician commissioned by him or a similarly qualified person.
Energy efficiency class	nicht erforderlich

Mounting technology	
Mounting method	Recessed mounting
Place of installation	Floor-mounted
Adjustability	Pivoted
Swivel angle	30°
Rotation angle	30°
Max. load	1,000 kg
Over rollable	No
Impact resistance	IK08
Further references	V4A
Material cover	Glass transparent
Circlip	Without circlip
Suitable for through-wiring	Yes

Packing data	
Gross weight	1.797 kg
Length of packaging	205 mm
Packaging width	205 mm
Packaging height	160 mm
Disposal at end of life	This product must not be disposed of with household waste. You are obliged, to dispose of such electrical waste separately. By disposing of electrical waste and other old or defective electronics separately, you support recycling or other forms of re-use. In that way you help to take care and to avoid that harmful substances get into the environment.