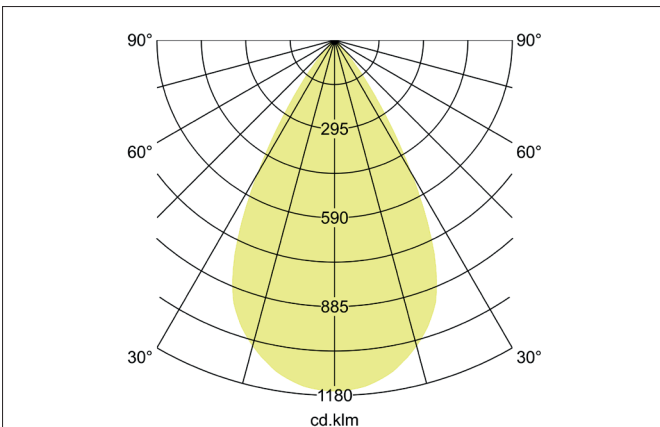
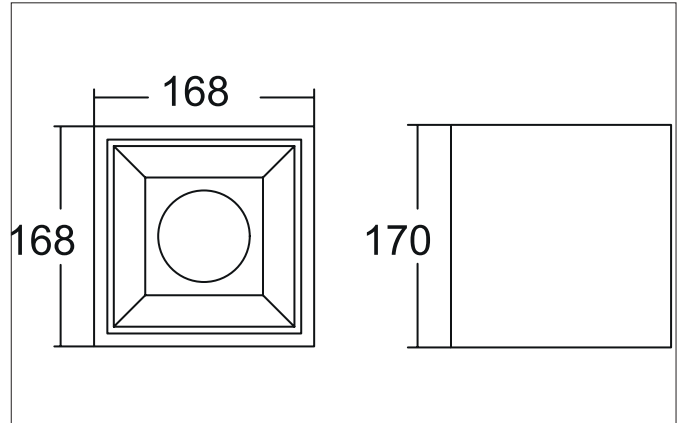


**APOLLO MIDI LED downlight, reflector smooth, on/off**  
 Article no. 42643164

Light.  
 For Generations.



**Tender**  
 LED downlight, reflector smooth, on/off, Square. Luminaire length 168.0 mm, Luminaire width 168.0 mm, Hight 170.0 mm Weight 1.647 kg, Reflector silver with rotationssymmetrical, deep, wide distributed light intensity. optimal light distribution due to a plastic, transparent cover. Luminous flux 1.915 lm, UGR < 19, Power 1 x 14,5 W, Light colour neutral white, Correlated color temperature (CCT) 4.000 K, Colour rendering index CRI > 90, Rated life time L80/B10 at 25 °C: 50.000 h, Housing material: Aluminium / Glass / Plastic, Colour: Silver, Permissible ambient temperature (ta): -20 °C - +25 °C, Protection class (EN 61140): I, Degree of protection (DIN EN 60529): IP20, .With electronic driver, on/off switchable.

| Article data      |   |
|-------------------|---|
| Article no.       | 42643164                                |
| GTIN              | 4255752505310                           |
| Series name       | APOLLO MIDI                             |
| Short description | LED downlight, reflector smooth, on/off |
| Material          | Aluminium / Glass / Plastic             |
| Colour            | Silver                                  |
| Type of surface   | Structure                               |
| Shape             | Square                                  |
| Length            | 168 mm                                  |
| Width             | 168 mm                                  |
| Hight             | 170 mm                                  |
| Weight            | 1.647 kg                                |

**APOLLO MIDI LED downlight, reflector smooth, on/off**

Article no. 42643164

Light.  
For Generations.

| Lighting technology          |               |
|------------------------------|---------------|
| Colour temperature           | 4.000 K       |
| Light colour                 | White         |
| Light output                 | Direct        |
| Luminous flux                | 1,915 lm      |
| System efficiency            | 132 lm/W      |
| McAdam-Step                  | McAdam-Step 3 |
| Colour rendering             | CRI > 90      |
| Reflector                    | High-gloss    |
| Reflector colour             | silver        |
| Beam angle                   | 55°           |
| Glare evaluation             | UGR < 19      |
| Light sharing                | Symmetric     |
| Adjustable color temperature | No            |

| Operating technology of the luminaire |  |
|---------------------------------------|--|
| System output                         | 14.5 W   |
| Voltage type                          | AC   |
| AC nominal voltage max                | 230 V  |
| Frequency max                         | 50 Hz  |
| Lamp                                  | LED  |
| Lamp holder                           | LED  |
| Protection class                      | I  |
| Degree of protection                  | IP20   |
| Control                               | on/off   |
| Bulb change possible                  | The light source of this luminaire may only be replaced by the manufacturer or a service technician commissioned by him or a similarly qualified person. |
| Rated life time L80/B10 at 25 °C      | 50.000 h   |

| Mounting technology         |                      |
|-----------------------------|----------------------|
| Mounting method             | Surface mounting     |
| Place of installation       | Ceiling-mounted      |
| Adjustability               | Not adjustable       |
| stamp                       | UKCA                 |
| Material cover              | Plastic, transparent |
| Suitable for through-wiring | No                   |

| Packing data            |   |
|-------------------------|---|
| Gross weight            | 1.851 kg  |
| Length of packaging     | 195 mm  |
| Packaging width         | 190 mm  |
| Packaging height        | 220 mm  |
| Disposal at end of life | This product must not be disposed of with household waste. You are obliged, to dispose of such electrical waste separately.<br>By disposing of electrical waste and other old or defective electronics separately, you support recycling or other forms of re-use. In that way you help to take care and to avoid that harmful substances get into the environment. |