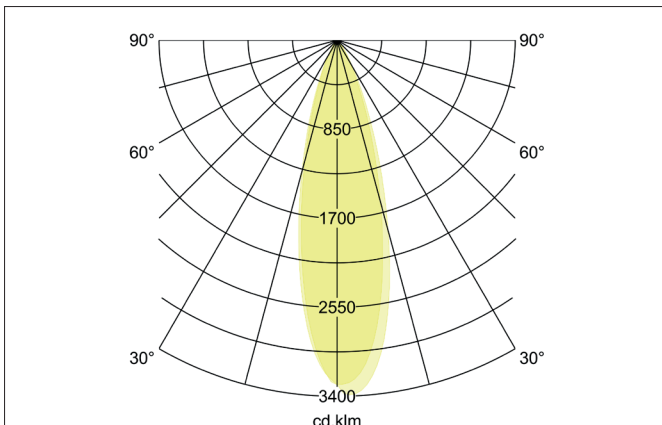
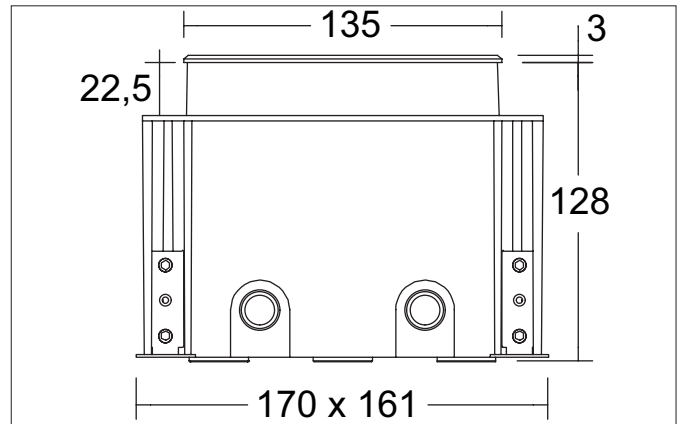




LANKO-R LED recessed floor light, V4A, IP67, switchable
 Article no. 14686083



Tender
 Round LED recessed floor light, V4A, IP67, switchable, ceiling cut-out L x W 161 x 170 mm installation depth 128 mm, outer diameter 135 mm, weight 1.49 kg, with rotationally symmetrical deep-wide beam light distribution. Cover glass transparent, rated luminous flux 920 lm, rated power 1 x 8 W, light color warm white, most similar color temperature (CCT) 3,000 K, general color rendering index CRI > 80, , color: black, permissible ambient temperature (ta): -20 to +45°C, protection class (EN 61140): I, degree of protection (DIN EN 60529): IP67, impact resistance according to IEC62262: IK08, with electronic control gear, switchable.

Product Benefits

- Linse kann 30° in beide Richtungen geschwenkt werden.

Lighting technology	
Colour temperature	3.000 K
Light colour	white
Light output	Direct
Luminous flux	920 lm
System efficiency	115 lm/W
Colour rendering	CRI > 80
Beam angle	30°
Light sharing	Symmetric
Adjustable color temperature	No


LANKO-R LED recessed floor light, V4A, IP67, switchable

Article no. 14686083

Operating technology of the luminaire	
System output	8 W
Voltage type	AC
AC nominal voltage max	230 V
Frequency max	50 Hz
Lamp	LED
Lamp holder	Without fitting
Protection class	I
Degree of protection	IP67
Ambient temperature	-20 bis +45°C
Dimmable	No
Control	on/off
Length of the connection line	1,000 mm
Bulb change possible	The light source of this luminaire may only be replaced by the manufacturer or a service technician commissioned by him or a similarly qualified person.
Energy efficiency class	nicht erforderlich

Mounting technology	
Mounting method	Recessed mounting
Place of installation	Floor-mounted
Adjustability	Pivoted
Swivel angle	30°
Rotation angle	30°
Max. load	1,000 kg
Over rollable	No
Impact resistance	IK08
Material cover	Glass transparent
Circlip	Without circlip
Suitable for through-wiring	Yes

Packing data	
Gross weight	1.7 kg
Length of packaging	205 mm
Packaging width	205 mm
Packaging height	160 mm
Disposal at end of life	<p>This product must not be disposed of with household waste. You are obliged, to dispose of such electrical waste separately.</p> <p>By disposing of electrical waste and other old or defective electronics separately, you support recycling or other forms of re-use. In that way you help to take care and to avoid that harmful substances get into the environment.</p>