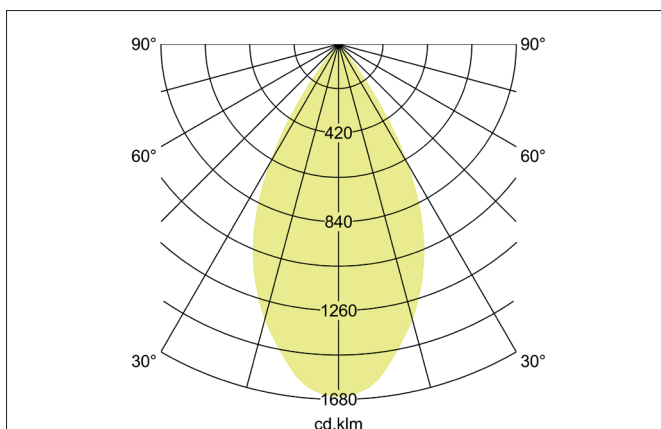
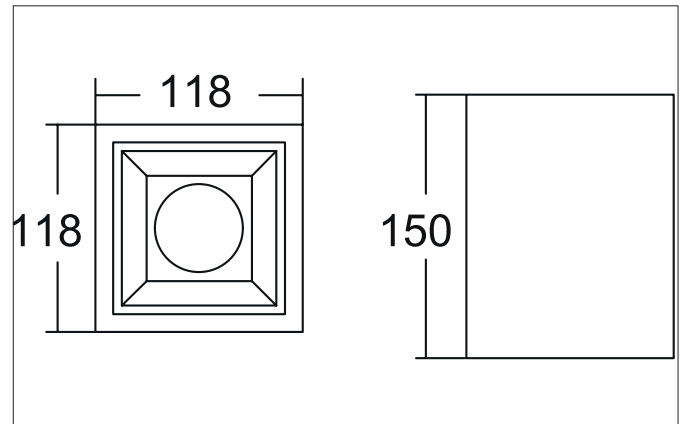
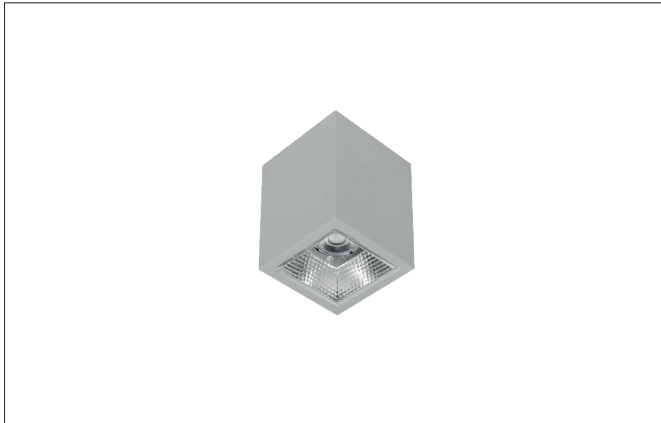


APOLLO MINI LED downlight, reflector faceted, DALI dimmable

Article no. 43642163DA

Light.
For Generations.**Tender**

LED downlight, reflector faceted, DALI dimmable, Square. Luminaire length 117.5 mm, Luminaire width 118.0 mm, Height 150.0 mm Weight 0.939 kg, Reflector silver with rotationssymmetrical, deep, wide distributed light intensity. optimal light distribution due to a plastic, transparent cover. Luminous flux 1.408 lm, UGR < 19, Power 1 x 10,5 W, Light colour warm white, Correlated color temperature (CCT) 3.000 K, Colour rendering index CRI > 90, Rated life time L80/B10 at 25 °C: 50.000 h, Housing material: Aluminium / Glass / Plastic, Colour: Silver, Permissible ambient temperature (ta): -20 °C - +25 °C, Protection class (EN 61140): I, Degree of protection (DIN EN 60529): IP20, .With electronic driver, DALI-2 dimmable.

| Article data | |
|-------------------|---|
| Article no. | 43642163DA |
| GTIN | 4255752504856 |
| Series name | APOLLO MINI |
| Short description | LED downlight, reflector faceted, DALI dimmable |
| Material | Aluminium / Glass / Plastic |
| Colour | Silver |
| Type of surface | Structure |
| Shape | Square |
| Length | 118 mm |
| Width | 118 mm |
| Hight | 150 mm |
| Weight | 0.939 kg |
| Conformance | CE, UKCA |

APOLLO MINI LED downlight, reflector faceted, DALI dimmable

Article no. 43642163DA

Light.
For Generations.

| Lighting technology | |
|------------------------------|---------------|
| Colour temperature | 3.000 K |
| Light colour | White |
| Light output | Direct |
| Luminous flux | 1,408 lm |
| System efficiency | 134 lm/W |
| McAdam-Step | McAdam-Step 3 |
| Colour rendering | CRI > 90 |
| Reflector | Faceted |
| Reflector colour | silver |
| Beam angle | 55° |
| Glare evaluation | UGR < 19 |
| Light sharing | Symmetric |
| Adjustable color temperature | No |

| Operating technology of the luminaire | |
|---------------------------------------|--|
| System output | 10.5 W |
| Voltage type | AC |
| AC nominal voltage max | 230 V |
| Frequency max | 50 Hz |
| Lamp | LED |
| Lamp holder | LED |
| Protection class | I |
| Degree of protection | IP20 |
| Control | DALI-2 |
| Bulb change possible | The light source of this luminaire may only be replaced by the manufacturer or a service technician commissioned by him or a similarly qualified person. |
| Rated life time L80/B10 at 25 °C | 50.000 h |

| Mounting technology | |
|-----------------------------|----------------------|
| Mounting method | Surface mounting |
| Place of installation | Ceiling-mounted |
| Adjustability | Not adjustable |
| Material cover | Plastic, transparent |
| Suitable for through-wiring | No |

| Packing data | |
|-------------------------|---|
| Gross weight | 1.114 kg |
| Length of packaging | 175 mm |
| Packaging width | 175 mm |
| Packaging height | 155 mm |
| Disposal at end of life | This product must not be disposed of with household waste. You are obliged, to dispose of such electrical waste separately. By disposing of electrical waste and other old or defective electronics separately, you support recycling or other forms of re-use. In that way you help to take care and to avoid that harmful substances get into the environment. |