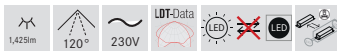
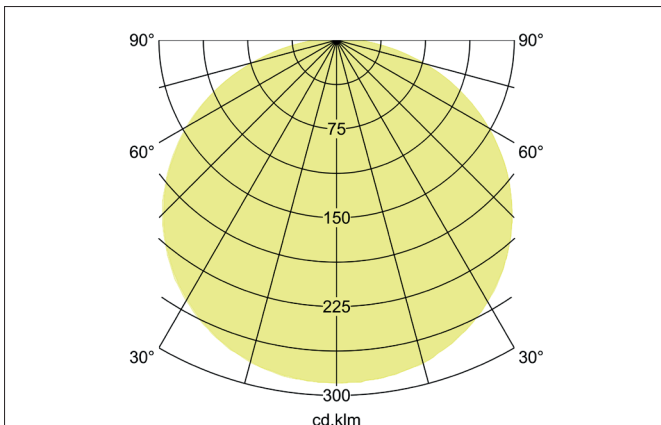
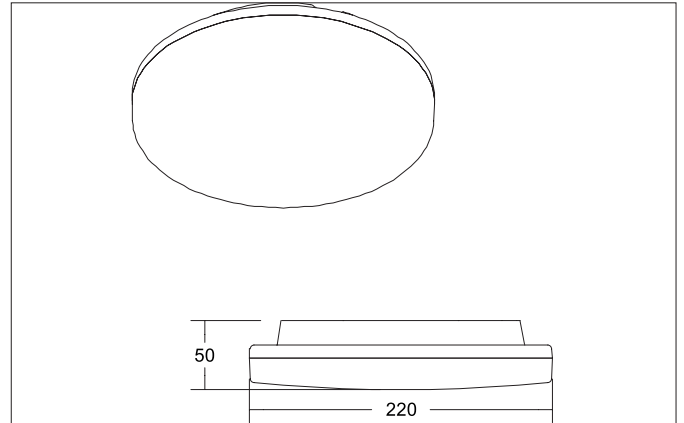


**BYAM-R MINI Surface-mounted LED ceiling light, 3CCT, Multipower****10/15 W, IP65, switchable**

Article no. 12510073

Light.  
For Generations.**Tender**

Surface-mounted LED ceiling light, 3CCT, Multipower 10/15 W, IP65, switchable, Round. Luminaire diameter 220.0 mm, Height 50.0 mm. Weight 0.645 kg, with rotationssymmetrical, deep, wide distributed light intensity. optimal light distribution due to a plastic, opal cover. Luminous flux 1.425 lm, Power 1 x 15 W, Light colour warm white to daylight white, Correlated color temperature (CCT) 3.000 - 5.700 K, Colour rendering index CRI > 80, Rated life time L70/B50 at 25 °C: 50.000 h, Housing material: Plastic, Colour: White, Permissible ambient temperature (ta): -20 °C - +25 °C, Protection class (EN 61140): II, Degree of protection (DIN EN 60529): IP65, shock resistance according to IEC62262: IK10. With electronic driver, on/off switchable.

**Product Benefits**

- Flache Anbauleuchte (Durchmesser 220 mm, Höhe 50 mm, mit Multipower-Funktion 10 W / 15 W) zur Decken- oder Wandmontage.
- 3 CCT einstellbar: 3.000 K / 4.000 K / 5.700 K.
- Lichtströme 15 W: 3.000 K: 1.425 lm, 4.000 K: 1.568 lm, 5.700 K: 1.496 lm
- In drei Größen und 2 Formen (rund / quadratisch) verfügbar.
- Schaltbare Ausführung.

**BYAM-R MINI Surface-mounted LED ceiling light, 3CCT, Multipower****10/15 W, IP65, switchable**

Article no. 12510073

Light.  
For Generations.

Article data	
Article no.	12510073
GTIN	4255752500797
Series name	BYAM-R MINI
Short description	Surface-mounted LED ceiling light, 3CCT, Multipower 10/15 W, IP65, switchable
Material	Plastic
Colour	White
Type of surface	Matt
Shape	Round
Outer diameter	220 mm
Hight	50 mm
Scope of delivery	inkl. Konverter mit Leistungs- und Farbtemperaturwahlmöglichkeit zum Anschluss an 230 V-Netzspannung, schaltbar
Weight	0.645 kg
stamp	UKCA
Conformance	UKCA

Lighting technology	
Colour temperature	3.000 K / 4.000 K / 5.700 K
Light colour	White
Light output	Direct
Luminous flux	1,425 lm
System efficiency	95 lm/W
Colour rendering	CRI > 80
Beam angle	120°
Light sharing	Symmetric
Adjustable color temperature	Stages

Operating technology of the luminaire	
System output	15 W
Voltage type	AC
AC nominal voltage max	230 V
Frequency max	50 Hz
Lamp	LED
Protection class	II
Degree of protection	IP65
Dimmable	No
Control	on/off
Bulb change possible	No
Rated life time L70/B50 at 25 °C	50,000 h

Mounting technology	
Mounting method	Surface mounting
Place of installation	Ceiling-mounted
Adjustability	Not adjustable
Impact resistance	IK10
Material cover	Plastic, opal

Packing data	
Gross weight	0.695 kg
Length of packaging	230 mm
Packaging width	230 mm
Packaging hight	60 mm
Disposal at end of life	This product must not be disposed of with household waste. You are obliged, to dispose of such electrical waste separately. By disposing of electrical waste and other old or defective electronics separately, you support recycling or other forms of re-use. In that way you help to take care and to avoid that harmful substances get into the environment.

**BYAM-R MINI Surface-mounted LED ceiling light, 3CCT, Multipower  
10/15 W, IP65, switchable**  
Article no. 12510073

Light.  
For Generations.