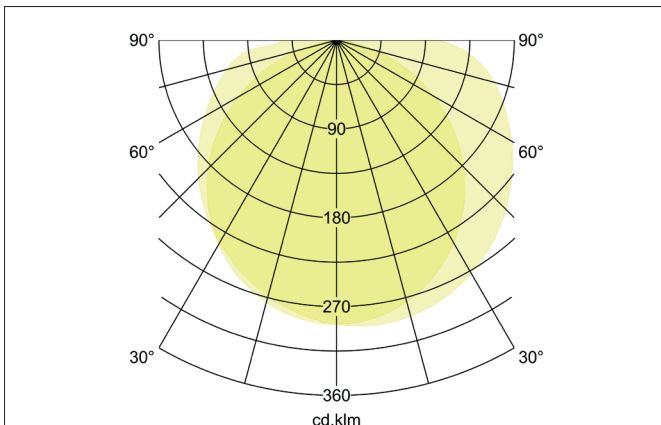
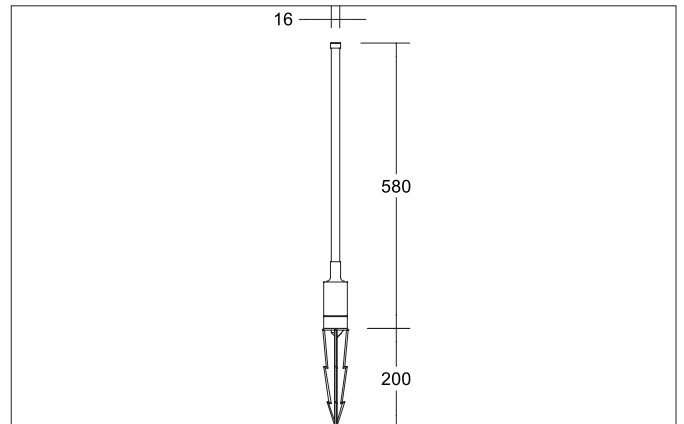


VITI LED ground spike spotlight, 230 V AC, IP65, switchable

Article no. 60020103

Light.
For Generations.**Tender**

LED ground spike spotlight, 230 V AC, IP65, switchable, Rectangular., Hight 580.0 mm Weight 0.58 kg, with rotattionssymmetrical, deep, wide distributed light intensity. optimal light distribution due to a plastic, opal cover. Luminous flux 516 lm, Power 1 x 6 W, Colour rendering index CRI > 90, Housing material: Aluminium / Plastic, Colour: Graphite, Permissible ambient temperature (ta): -20 to +45°C, Protection class (EN 61140): I, Degree of protection (DIN EN 60529): IP65, shock resistance according to IEC62262: IK06 .With electronic driver, on/off switchable.

Article data	
Article no.	60020103
GTIN	4255752500384
Series name	VITI
Short description	LED ground spike spotlight, 230 V AC, IP65, switchable
Material	Aluminium / Plastic
Colour	Graphite
Type of surface	Structure
Shape	Rectangular
Hight	580 mm
Scope of delivery	incl. converter for connection to 230 V mains voltage, switchable, 2,000 mm connection cable and plug.
Weight	0.580 kg

VITI LED ground spike spotlight, 230 V AC, IP65, switchable

Article no. 60020103

Light.
For Generations.

Lighting technology	
Colour temperature	3.000 K
Light colour	White
Light output	Direct
Luminous flux	516 lm
System efficiency	86 lm/W
Colour rendering	CRI > 90
Luminaire optics	Cover satin
Reflector	Without
Beam angle	120°
Light sharing	Symmetric
Adjustable color temperature	No

Operating technology of the luminaire	
System output	6 W
Voltage type	AC
AC nominal voltage max	230 V
Frequency max	50 Hz
Frequency min	50 Hz
Lamp	LED
Lamp holder	Without fitting
Protection class	I
Degree of protection	IP65
Ambient temperature	-20 bis +45°C
Dimmable	No
Control	on/off
Bulb change possible	The light source of this luminaire may only be replaced by the manufacturer or a service technician commissioned by him or a similarly qualified person.

Mounting technology	
Mounting method	Surface mounting
Place of installation	Floor-mounted
Adjustability	Not adjustable
Impact resistance	IK06
stamp	UKCA
Further references	Outdoor
Material cover	Plastic, opal

Packing data	
Gross weight	0.85 kg
Length of packaging	145 mm
Packaging width	105 mm
Packaging height	630 mm
Disposal at end of life	This product must not be disposed of with household waste. You are obliged, to dispose of such electrical waste separately. By disposing of electrical waste and other old or defective electronics separately, you support recycling or other forms of re-use. In that way you help to take care and to avoid that harmful substances get into the environment.