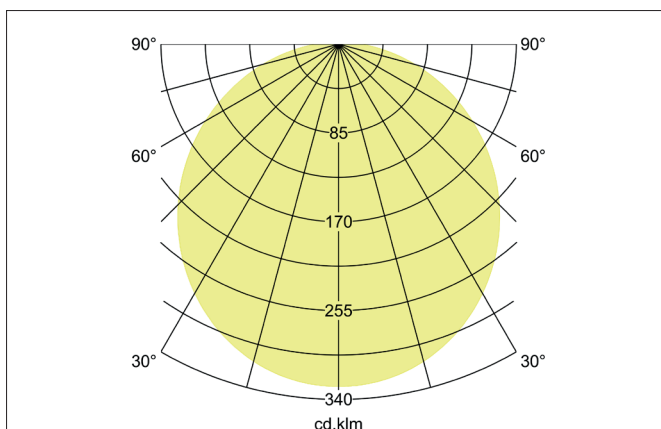
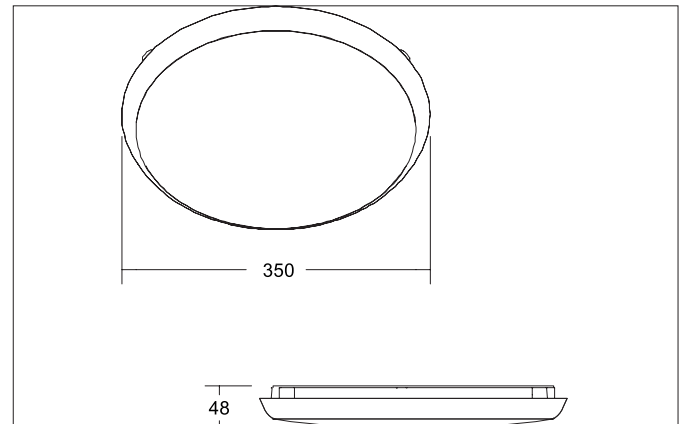


MAKIRA LED surface-mounted wall light, IP65, trailing edge dimmable

Article no. 10029183

Light.
For Generations.**Tender**

LED surface-mounted wall light, IP65, trailing edge dimmable, Round. Luminaire diameter 350.0 mm, Height 48.0 mm Weight 1.24 kg, with rotationssymmetrical, deep, wide distributed light intensity. optimal light distribution due to a plastic, opal cover. Luminous flux 2.900 lm, Power 1 x 30 W, Light colour warm white to neutral white, Correlated color temperature (CCT) 2.700 - 4.000 K, Colour rendering index CRI > 80, Housing material: Plastic, Colour: Black, Permissible ambient temperature (ta): -20 to +45°C, Protection class (EN 61140): II, Degree of protection (DIN EN 60529): IP65, shock resistance according to IEC62262: IK08. With electronic driver, Trailing-edge phase dimmable.

Article data	
Article no.	10029183
GTIN	4255752501541
Series name	MAKIRA
Short description	LED surface-mounted wall light, IP65, trailing edge dimmable
Material	Plastic
Colour	Black
Type of surface	Structure
Shape	Round
Outer diameter	350 mm
Height	48 mm
Scope of delivery	inkl. Konverter zum Anschluss an 230 V-Netzspannung, Phasenabschnitt dimmbar
Weight	1.240 kg

MAKIRA LED surface-mounted wall light, IP65, trailing edge dimmable

Article no. 10029183

Light.
For Generations.

Lighting technology	
Colour temperature	2.700 K / 3.000 K / 4.000 K
Light colour	White
Light output	Direct
Luminous flux	2,900 lm
System efficiency	97 lm/W
McAdam-Step	McAdam-Step 5
Colour rendering	CRI > 80
Luminaire optics	Cover satin
Reflector	Without
Beam angle	120°
Light sharing	Symmetric
Adjustable color temperature	Stages

Operating technology of the luminaire	
System output	30 W
Voltage type	AC
AC nominal voltage max	230 V
Frequency max	50 Hz
Frequency min	50 Hz
Lamp	LED
Lamp holder	Without fitting
Protection class	II
Degree of protection	IP65
Ambient temperature	-20 bis +45 °C
Dimmable	Yes
Control	Trailing-edge phase
Bulb change possible	The light source of this luminaire may only be replaced by the manufacturer or a service technician commissioned by him or a similarly qualified person.

Mounting technology	
Mounting method	Surface mounting
Place of installation	Ceiling-/Wall-mounted
Adjustability	Not adjustable
Impact resistance	IK08
stamp	UKCA
Further references	Outdoor
Material cover	Plastic, opal
Suitable for through-wiring	No

Packing data	
Gross weight	1.5 kg
Length of packaging	355 mm
Packaging width	355 mm
Packaging height	55 mm
Disposal at end of life	This product must not be disposed of with household waste. You are obliged, to dispose of such electrical waste separately. By disposing of electrical waste and other old or defective electronics separately, you support recycling or other forms of re-use. In that way you help to take care and to avoid that harmful substances get into the environment.